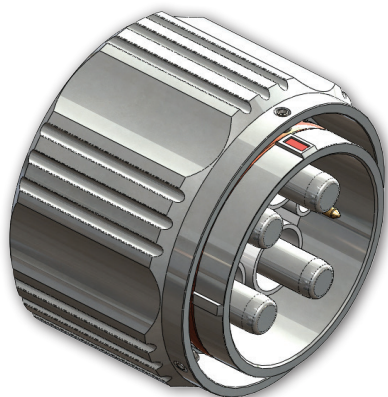




Series 921 Super ITS™ Connectors and Accessories

Straight Plug Connectors

921-006 Straight Plug Connector with Accessory Thread and Artic Coupling Nut



921-006 Straight Plug Connector with Accessory Thread and Artic Coupling Nut

Series 921 Super ITS™ plug connectors feature high ampacity LouverBand contacts and rugged water resistant construction for the most demanding environments. Quick mating bayonet coupling type. EMI protected with ground spring and splined backshell interface. Standard contacts are silver plated high conductivity copper alloy, or choose gold-plated signal (Size 16 and 12) contacts for improved corrosion protection in space or petrochemical environments. Silicone O-rings and wire seal provide watertight sealing. Contacts are packaged with connector.

HOW TO ORDER

Sample Part Number

921-006 -	32-17	S1	MT	N																				
Series	Shell Size - Insert Arrangement	Contact Type and Plating	Shell Material and Finish	Key Position																				
921-006 Straight Plug Connector with Accessory Thread and Artic Coupling Nut	<table border="1"> <thead> <tr> <th rowspan="2">Contact Arr.</th> <th colspan="6">Contact Size and Qty</th> </tr> <tr> <th>#16</th> <th>#12</th> <th>#8</th> <th>#4</th> <th>#1/0</th> <th>#2/0</th> </tr> </thead> <tbody> <tr> <td colspan="7">See "CONTACT ARRANGEMENTS" Page B-1</td> </tr> </tbody> </table>	Contact Arr.	Contact Size and Qty						#16	#12	#8	#4	#1/0	#2/0	See "CONTACT ARRANGEMENTS" Page B-1							P1 Pin Contacts Silver Plated	F6 Aluminum, Black Electrostatic Paint	N Position 1
	Contact Arr.		Contact Size and Qty																					
#16		#12	#8	#4	#1/0	#2/0																		
See "CONTACT ARRANGEMENTS" Page B-1																								
		S1 Socket Contacts Silver Plated	G3 (*) Aluminum, Cadmium, Olive Drab	X Position 2																				
		P2 Pin Contacts Gold Plated	MT (*) Aluminum, Nickel-PTFE	Y Position 3																				
		S2 Socket Contacts Gold Plated	M (*) Aluminum, Electroless Nickel	W Position 4																				
		P0 Pin Connector, without Contacts	G2 Aluminum, Anozide, Hardcoat																					
		S0 Socket Connector, without Contacts	Z1 Stainless Steel, Passivate																					
			AB Marine Bronze, unplated																					

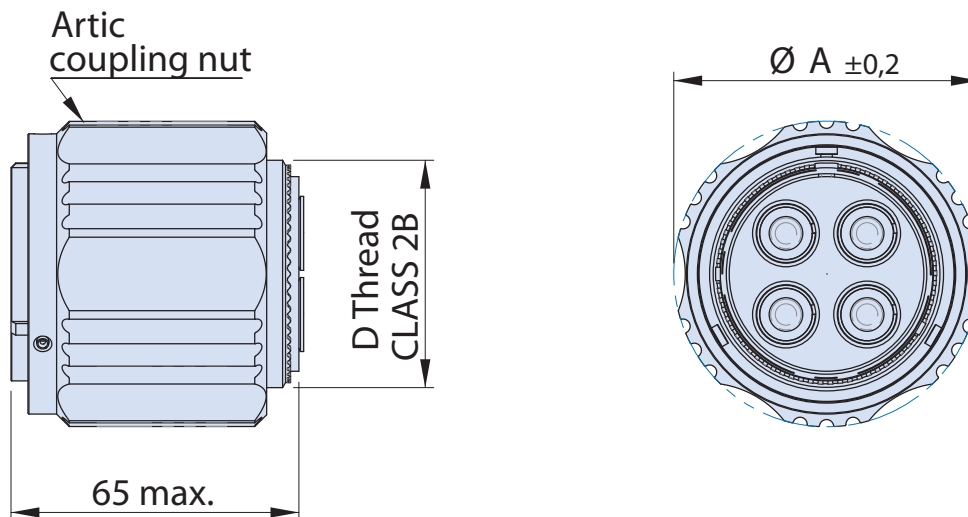
(*) Supplied with Ground Spring

Series 921 Super ITS™ Connectors and Accessories
Straight Plug Connectors
 921-006 Straight Plug Connector with Accessory Thread
 and Artic Coupling Nut



Straight Plug Connectors

921-006 Straight Plug Connector with Accessory Thread and Artic Coupling Nut

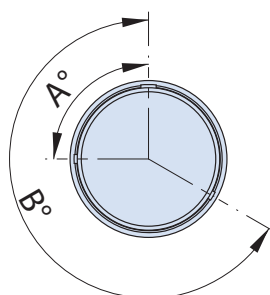


D

DIMENSIONS

Shell Size	øA [mm]	D Thread CLASS 2B	Interface Designator	Dash No. (*)
24	50.2	1 3/8 - 18 UNEF	B	21
28	56.5	1 5/8 - 18 UNEF	B	22
32	64.0	1 7/8 - 16 UN	B	23
40	77.0	2 5/16 - 16 UN	B	33

(*) please refer to **Circular Connector Backshell and Accessories** Glenair catalogue on page n.19



KEY POSITIONS

Position	A°	B°
1	90	240
2	135	225
3	150	210
4	120	270