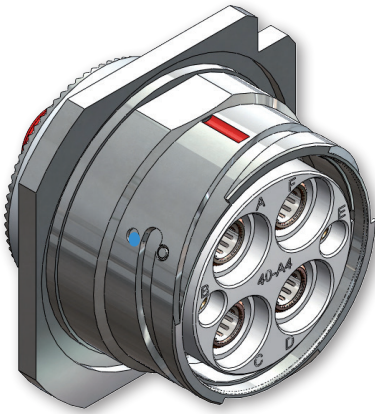




Series 921 Super ITS™ Connectors and Accessories
Jam Nut Receptacle
921-007 Jam Nut Receptacle Connector
with Accessory Thread



921-007 Jam Nut Receptacle Connector with Accessory Thread

These jam nut connectors are “rear panel mounting” for panel thicknesses up to 300 inch (7.62mm). Series 921 Super ITS™ extreme environment receptacle connectors are intended for high current applications where size 8 AWG to size 2/0 AWG wires are used. These connectors feature high ampacity LouverBand contacts. Quick mating bayonet coupling type. EMI protected with ground spring and splined backshell interface. Standard contacts are silver plated high conductivity copper alloy, or choose gold-plated signal (Size 16 and 12) for improved corrosion protection in space or petrochemical environments. Silicone O-rings and wire seal provide watertight sealing. Contacts are packaged with connector.

HOW TO ORDER

Sample Part Number

921-007 -		32-17		S1		MT		N		
Series	Shell Size - Insert Arrangement					Contact Type and Plating		Shell Material and Finish		Key Position
921-007 Jam Nut Receptacle Connector with Accessory Thread	Contact Arr.	Contact Size and Qty					P1 Pin Contacts Silver Plated S1 Socket Contacts Silver Plated P2 Pin Contacts Gold Plated S2 Socket Contacts Gold Plated P0 Pin Connector, without Contacts S0 Socket Connector, without Contacts	F6 Aluminum, Black Electrostatic Paint G3 Aluminum, Cadmium, Olive Drab MT Aluminum, Nickel- PTFE M Aluminum, Electroless Nickel G2 Aluminum, Anozide, Hardcoat Z1 Stainless Steel, Passivate AB Marine Bronze, unplated	N Position 1 X Position 2 Y Position 3 W Position 4	
		#16	#12	#8	#4	#1/0				#2/0
	See “CONTACT ARRANGEMENTS” Page B-1									

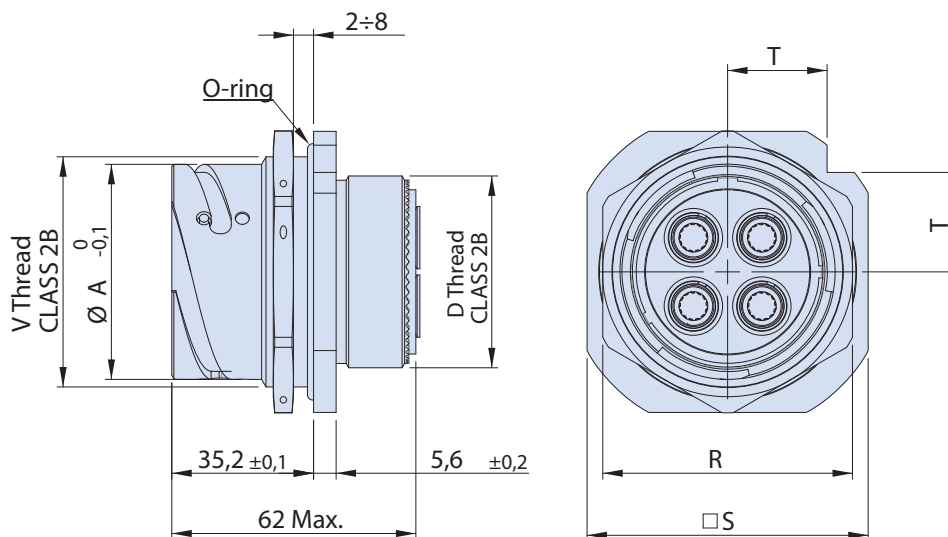
E

Series 921 Super ITS™ Connectors and Accessories
Jam Nut Receptacle
 921-007 Jam Nut Receptacle Connector
 with Accessory Thread



Jam Nut
 Receptacle
 Connectors

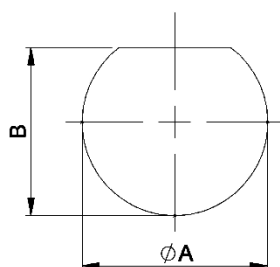
921-007 Jam Nut Receptacle Connector with Accessory Thread



DIMENSIONS

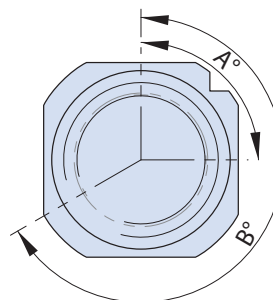
Shell Size	ϕA [mm]	R [mm]	S [mm]	T [mm]	V Thread CLASS 2B	D Thread CLASS 2B	Interface Designator	Dash No. (*)
24	40.9	51.0	57.2	20.2	1 3/4 - 18 UNS	1 3/8 - 18 UNEF	B	21
28	46.7	55.0	63.5	22.5	2 - 18 UNS	1 5/8 - 18 UNEF	B	22
32	53.4	62.0	69.8	24.7	2 1/4 - 16 UN	1 7/8 - 16 UN	B	23
40	65.5	75.0	83.5	29.6	2 3/4 - 16 UN	2 5/16 - 16 UNS	B	33

(*) please refer to **Circular Connector Backshell and Accessories** Glenair catalogue on page n.19



PANEL CUTOUT

Shell Size	ϕA [mm]	B [mm]
24	44.65	43.35
28	51.00	49.55
32	57.35	55.95
40	70.05	68.55



KEY POSITIONS

Position	A°	B°
1	90	240
2	135	225
3	150	210
4	120	270

E