



Series 921 Super ITS™ Connectors and Accessories
In-Line Receptacle
921-001 In-Line Receptacle Connector
with Accessory Thread



921-001 In-Line Receptacle Connector with Accessory Thread

These connectors, often called “in-line”, “line” or “free-hanging” receptacles, are installed on cables for cord-to-cord applications. Series 921 Super ITS™ extreme environment receptacle connectors are intended for high current applications where size 8 AWG to size 2/0 AWG wires are used. These connectors feature high ampacity LouverBand contacts. Quick mating bayonet coupling type. EMI protected with ground spring and splined backshell interface. Standard contacts are silver plated high conductivity copper alloy, or choose gold-plated signal (Size 16 and 12) for improved corrosion protection in space or petrochemical environments. Silicone O-rings and wire seal provide watertight sealing. Contacts are packaged with connector.

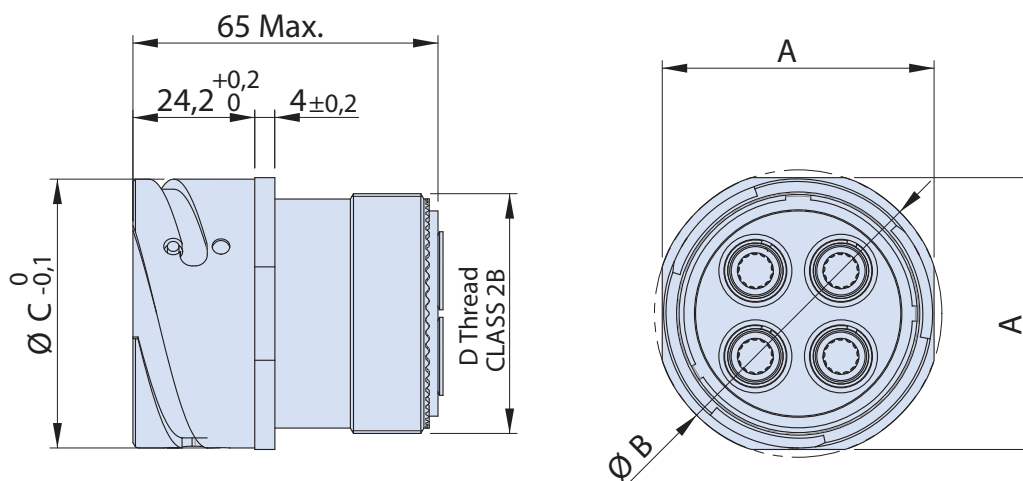
HOW TO ORDER

Sample Part Number

| 921-001 - | | 32-17 | | S1 | | MT | | N | | | | |
|---|--|----------------------|-----|----|----|------|--------------------------|---|---|--|--------------|--|
| Series | Shell Size - Insert Arrangement | | | | | | Contact Type and Plating | | Shell Material and Finish | | Key Position | |
| 921-001 In-Line Receptacle Connector with Accessory Thread | Contact Arr. | Contact Size and Qty | | | | | | P1 Pin Contacts Silver Plated S1 Socket Contacts Silver Plated P2 Pin Contacts Gold Plated S2 Socket Contacts Gold Plated P0 Pin Connector, without Contacts S0 Socket Connector, without Contacts | F6 Aluminum, Black Electrostatic Paint G3 Aluminum, Cadmium, Olive Drab MT Aluminum, Nickel-PTFE M Aluminum, Electroless Nickel G2 Aluminum, Anozide, Hardcoat Z1 Stainless Steel, Passivate AB Marine Bronze, unplated | N Position 1 X Position 2 Y Position 3 W Position 4 | | |
| | | #16 | #12 | #8 | #4 | #1/0 | #2/0 | | | | | |
| | See “CONTACT ARRANGEMENTS” Page B-1 | | | | | | | | | | | |

F

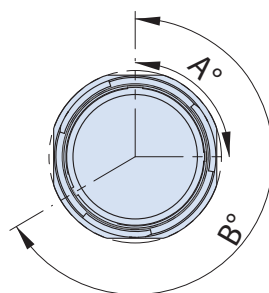
921-001 In-Line Receptacle Connector with Accessory Thread



DIMENSIONS

| Shell Size | A [mm] | ØB [mm] | ØC [mm] | D Thread CLASS 2B | Interface Designator | Dash No. (*) |
|------------|--------|---------|---------|-------------------|----------------------|--------------|
| 24 | 41.3 | 44.6 | 40.9 | 1 3/8 - 18 UNEF | B | 21 |
| 28 | 47.6 | 50.9 | 46.7 | 1 5/8 - 18 UNEF | B | 22 |
| 32 | 54.0 | 57.1 | 53.4 | 1 7/8 - 16 UN | B | 23 |
| 40 | 66.5 | 70.0 | 65.5 | 2 5/16 - 16 UNS | B | 33 |

(*) please refer to **Circular Connector Backshell and Accessories** Glenair catalogue on page n.19



KEY POSITIONS

| Position | A° | B° |
|----------|-----|-----|
| 1 | 90 | 240 |
| 2 | 135 | 225 |
| 3 | 150 | 210 |
| 4 | 120 | 270 |

