

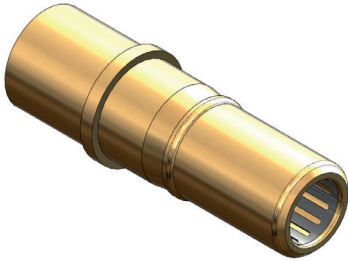


## Series 921 Super ITS™ Connectors and Accessories

### Socket Crimp Contacts

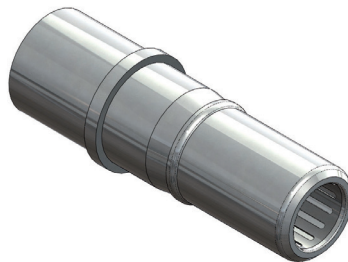
### Series 921 Super ITS™ Socket Crimp Contacts

Series 921 Super ITS™ contacts for size #16 through Size #2/0 wire. Copper alloy with silver or gold plating. Terminate to wire with standard crimp tools. Contacts are snap-in, rear-release. Use in Series 921 Super ITS™ connectors.



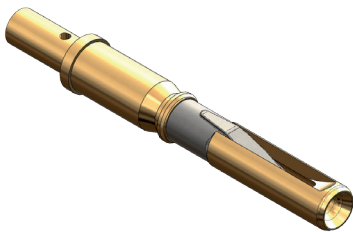
Socket contact with silver plating. For plating thickness, please consult MATERIALS AND FINISHES TABLE on Page 6. Highly conductive silver plating is ideal for high current applications.

Socket contact with gold plating for improved protection from corrosive environments. For plating thickness, please consult MATERIALS AND FINISHES TABLE on Page 6.



#### SOCKET CRIMP CONTACTS TABLE

Contact Size	Wire Size	Finish	Socket Contact Part Number	Contact type
16	16, 20	Silver	921-16-SC-G10	Spring Clip
		Gold	921-16-SC-G117	
12	12, 14	Silver	921-12-SC-G10	Spring Clip
		Gold	921-12-SC-G117	
8	8	Silver	921-8-SC-LBG10	Louver Band
	10		921-10-SC-LBG10	
4	4	Silver	921-4-SC-LBG10	Louver Band
1/0	1/0	Silver	921-0-SC-LBG10	Louver Band
	2/0	Silver	921-2-0-SC-LBG10	Louver Band

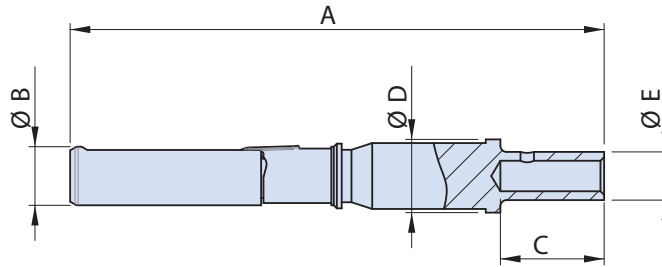


#### PIN CONTACT CURRENT RATINGS AND RESISTANCE

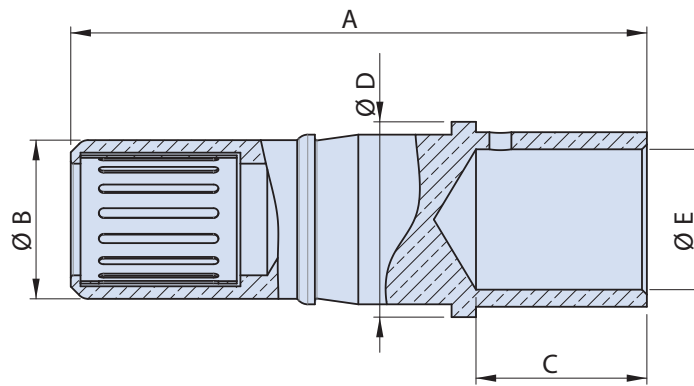
Contact and Wire Size	Current Rating at 20° C (Amperes)	Current Rating at 80° C (Amperes)	Max. Contact Resistance (milliohms)
16	25	15	6.0
12	50	28	3.0
8	90	70	1.0
4	160	130	0.5
1/0	300	250	0.3
2/0	330	280	0.3



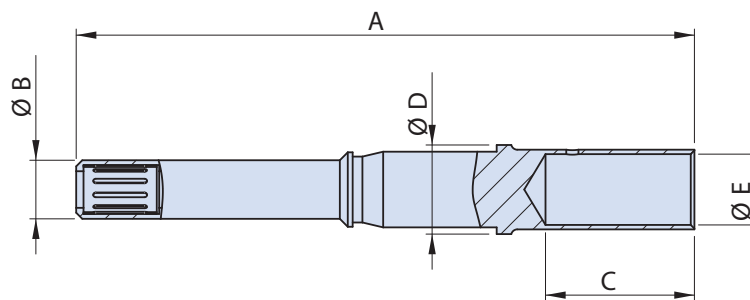
## Socket Crimp Contacts



Part Number	Contact Size	A [mm]	øB [mm]	C [mm]	øD [mm]	øE [mm]
921-16-SC	16	43.75	3.7	6.35	3.7	1.7
921-12-SC	12	43.75	4.8	8.5	6.0	2.5



Part Number	Wire Size	A [mm]	øB [mm]	C [mm]	øD [mm]	øE [mm]
921-4-SC-LB	4	45.4	8.5	12.2	12.0	7.1
921-6-SC-LB	6	45.4	8.5	12.2	12.0	5.8
921-0-SC-LB	1/0	47.2	13.1	14.0	16.0	11.5
921-2-0-SC-LB	2/0	53.2	13.1	20.0	17.0	13.5



Part Number	Wire Size	A [mm]	øB [mm]	C [mm]	øD [mm]	øE [mm]
921-10-SC-LB	10	46.4	6.4	12.2	7.3	3.6
921-8-SC-LB	8	46.4	6.4	12.2	7.3	4.5

