

Backshells and Accessories for Series 921

BACKSHELL FOR USE WITH METRIC CABLE GLAND

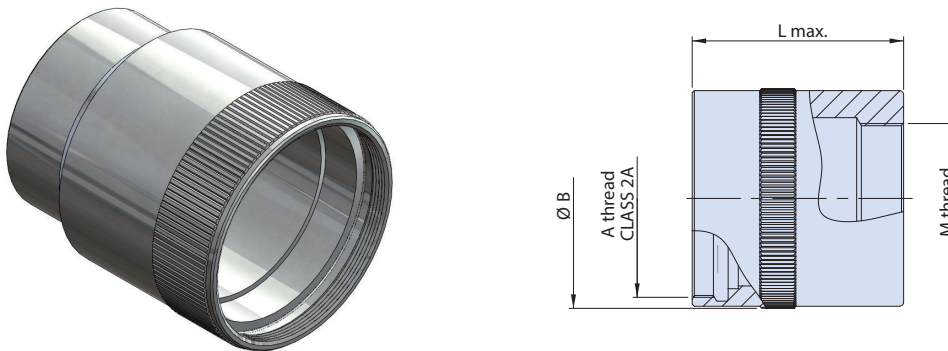


TABLE 1: DIMENSIONS

SHELL SIZE	A thread CLASS 2A	ØB [mm]	L max.	M thread		
				Option 1	Option 2	Option 3
24	1 3/8 - 18 UNEF	40	55	M25x1,5	M32x1,5	M36x1,5
28	1 5/8 - 18 UNEF	46	60	M25x1,5	M32x1,5	M36x1,5
32	1 7/8 - 16 UN	53	70	M32x1,5	M36x1,5	M40x1,5
40	2 5/16 - 16 UN	64	80	M36x1,5	M40x1,5	M50x1,5

HOW TO ORDER

MATERIAL / FINISH OPTION

SHELL SIZE	M thread	ALUMINUM	ALUMINUM	ALUMINUM	ALUMINUM	ALUMINUM	STAINLESS STEEL	MARINE BRONZE
		Black electrostatic paint	Cadmium, Olive Drab	Nickel PTFE	Electroless nickel	Anodize, Hardcoat	Passivate	Unplated
		F6	G3	MT	M	G2	Z1	AB
24	M25x1,5	921-105-24F6	921-105-24G3	921-105-24MT	921-105-24M	921-105-24G2	921-105-24Z1	921-105-24AB
	M32x1,5	921-106-24F6	921-106-24G3	921-106-24MT	921-106-24M	921-106-24G2	921-106-24Z1	921-106-24AB
	M36x1,5	921-107-24F6	921-107-24G3	921-107-24MT	921-107-24M	921-107-24G2	921-107-24Z1	921-107-24AB
28	M25x1,5	921-105-28F6	921-105-28G3	921-105-28MT	921-105-28M	921-105-28G2	921-105-28Z1	921-105-28AB
	M32x1,5	921-106-28F6	921-106-28G3	921-106-28MT	921-106-28M	921-106-28G2	921-106-28Z1	921-106-28AB
	M36x1,5	921-107-28F6	921-107-28G3	921-107-28MT	921-107-28M	921-107-28G2	921-107-28Z1	921-107-28AB
32	M32x1,5	921-106-32F6	921-106-32G3	921-106-32MT	921-106-32M	921-106-32G2	921-106-32Z1	921-106-32AB
	M36x1,5	921-107-32F6	921-107-32G3	921-107-32MT	921-107-32M	921-107-32G2	921-107-32Z1	921-107-32AB
	M40x1,5	921-108-32F6	921-108-32G3	921-108-32MT	921-108-32M	921-108-32G2	921-108-32Z1	921-108-32AB
40	M36x1,5	921-107-40F6	921-107-40G3	921-107-40MT	921-107-40M	921-107-40G2	921-107-40Z1	921-107-40AB
	M40x1,5	921-108-40F6	921-108-40G3	921-108-40MT	921-108-40M	921-108-40G2	921-108-40Z1	921-108-40AB
	M50x1,5	921-109-40F6	921-109-40G3	921-109-40MT	921-109-40M	921-109-40G2	921-109-40Z1	921-109-40AB