

Backshells and Accessories for Series 921

EMI/RFI ADAPTER, BAND SHIELD TERMINATION

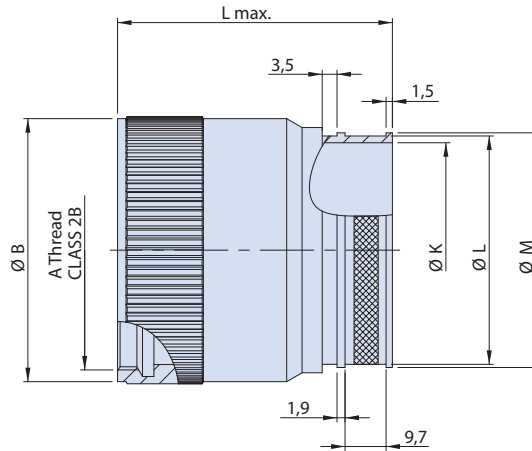


TABLE 1: DIMENSIONS

SHELL SIZE	A thread CLASS 2B	ØB [mm]	L max. [mm]	Cable entry
24	1 3/8 - 18 UNEF	40	65	14
				16
				18
28	1 5/8 - 18 UNEF	46	65	14
				16
				18
32	1 7/8 - 16 UN	53	70	18
				19
				20
40	2 5/16 - 16 UN	64	75	20
				23
				24

TABLE 2: CABLE ENTRY

CABLE ENTRY	ØK [mm]	ØL [mm]	ØM [mm]
14	23,8	27	28,5
16	27	30,2	31,8
18	31,8	34,9	36,5
19	34,9	38,1	39,7
20	38,1	41,3	42,8
23	47,6	50,8	52,4
24	50,8	54	55,5

HOW TO ORDER

MATERIAL / FINISH OPTION

SHELL SIZE	Cable entry	ALUMINUM	ALUMINUM	ALUMINUM	ALUMINUM	ALUMINUM	STAINLESS STEEL	MARINE BRONZE
		Black electrostatic paint	Cadmium, Olive Drab	Nickel PTFE	Electroless nickel	Anodize, Hardcoat	Passivate	Unplated
		F6	G3	MT	M	G2	Z1	AB
24	14	921-133-24F6	921-133-24G3	921-133-24MT	921-133-24M	921-133-24G2	921-133-24Z1	921-133-24AB
	16	921-134-24F6	921-134-24G3	921-134-24MT	921-134-24M	921-134-24G2	921-134-24Z1	921-134-24AB
	18	921-135-24F6	921-135-24G3	921-135-24MT	921-135-24M	921-135-24G2	921-135-24Z1	921-135-24AB
28	14	921-133-28F6	921-133-28G3	921-133-28MT	921-133-28M	921-133-28G2	921-133-28Z1	921-133-28AB
	16	921-134-28F6	921-134-28G3	921-134-28MT	921-134-28M	921-134-28G2	921-134-28Z1	921-134-28AB
	18	921-135-28F6	921-135-28G3	921-135-28MT	921-135-28M	921-135-28G2	921-135-28Z1	921-135-28AB
32	18	921-135-32F6	921-135-32G3	921-135-32MT	921-135-32M	921-135-32G2	921-135-32Z1	921-135-32AB
	19	921-136-32F6	921-136-32G3	921-136-32MT	921-136-32M	921-136-32G2	921-136-32Z1	921-136-32AB
	20	921-137-32F6	921-137-32G3	921-137-32MT	921-137-32M	921-137-32G2	921-137-32Z1	921-137-32AB
40	20	921-137-40F6	921-137-40G3	921-137-40MT	921-137-40M	921-137-40G2	921-137-40Z1	921-137-40AB
	23	921-138-40F6	921-138-40G3	921-138-40MT	921-138-40M	921-138-40G2	921-138-40Z1	921-138-40AB
	24	921-139-40F6	921-139-40G3	921-139-40MT	921-139-40M	921-139-40G2	921-139-40Z1	921-139-40AB

