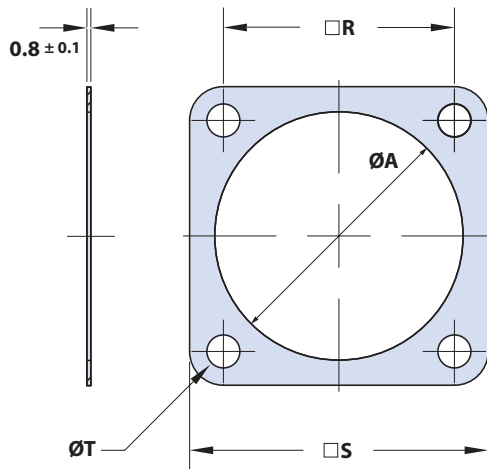


Series 921 Super ITST™ Connectors and Accessories  
**Flange Mount Gaskets**  
 Front and Rear Mount Square Flange Receptacle



**Flange Mount Gaskets**

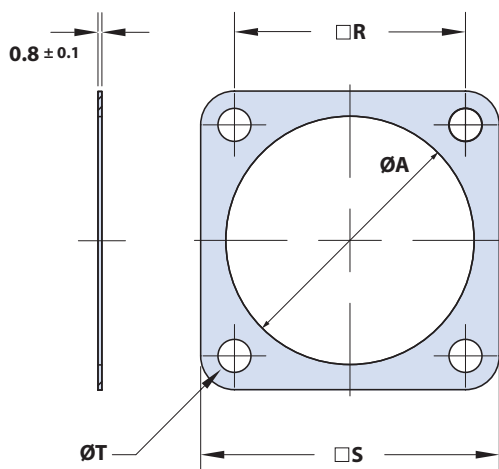
**FRONT MOUNT SQUARE FLANGE RECEPTACLE GASKETS**



Shell Size	Part Number	Material	ØA +0.1	R ±0.2	S ±0.5	ØT +0.5
24	921-014-S24	Non Conductive	38.0	34.9	44.5	4.2
28	921-014-S28		44.3	39.7	50.8	5.1
32	921-014-S32		50.7	44.5	57.0	5.1
40	921-014-S40		61.9	55.5	69.9	5.1

Shell Size	Part Number	Material	ØA +0.1	R ±0.2	S ±0.5	ØT +0.5
24	921-014-X24	Conductive	38.0	34.9	44.5	4.2
28	921-014-X28		44.3	39.7	50.8	5.1
32	921-014-X32		50.7	44.5	57.0	5.1
40	921-014-X40		61.9	55.5	69.9	5.1

**REAR MOUNT SQUARE FLANGE RECEPTACLE GASKETS**



Shell Size	Part Number	Material	ØA +0.3	R ±0.2	S ±0.5	ØT +0.5
24	921-024-S24	Non Conductive	40.9	34.9	44.5	4.2
28	921-024-S28		46.7	39.7	50.8	5.1
32	921-024-S32		53.4	44.5	57.0	5.1
40	921-024-S40		65.5	55.5	69.9	5.1

Shell Size	Part Number	Material	ØA +0.3	R ±0.2	S ±0.5	ØT +0.5
24	921-024-X24	Conductive	40.9	34.9	44.5	4.2
28	921-024-X28		46.7	39.7	50.8	5.1
32	921-024-X32		53.4	44.5	57.0	5.1
40	921-024-X40		65.5	55.5	69.9	5.1

