

Series 921 Super ITS™ Connectors and Accessories

Accessories - Metal Protective Covers

Metal Protective Covers

Metal covers protect unmated series 921 connectors. Available with no attachment or choose sash chain or nylon coated wire rope attachments from the ordering table. For shell materials and finishes see HOW TO ORDER table .



Plug Cover with Sash Chain



Receptacle Cover with Sash Chain



Plug Cover with Nylon Coated SST Wire Rope



Receptacle Cover with Nylon Coated SST Wire Rope

MATERIALS AND FINISHES	
Cover	Aluminum or stainless steel. See ordering information for finish options
Gasket (Receptacle Cover)	Silicone
Rivet, Ring, Clevis	Stainless steel

HOW TO ORDER

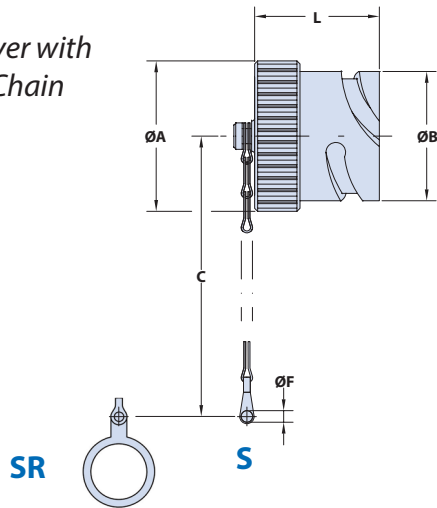
Sample Part Number			
921-02T -	24	F6	N
Series	Shell Size	Shell Material and Finish	Attachment Type
921-02T Receptacle Cover	24	F6 Aluminum, Black Electrostatic Paint	N No Attachment
	28		S Sash Chain with Clevis Fitting
921-06T Plug Cover	32	G3 Aluminum, Cadmium, Olive Drab	H Nylon Coated SST Wire Rope with Ring Terminal
	40		MT Aluminum, Nickel-PTFE
			M Aluminum, Electroless Nickel
		G2 Aluminum, Anozide, Hardcoat	SR Sash Chain with Ring for Jam Nut
		Z1 Stainless Steel, Passivate	HR Nylon Coated SST Wire Rope with Ring for Jam Nut

Series 921 Super ITS™ Connectors and Accessories

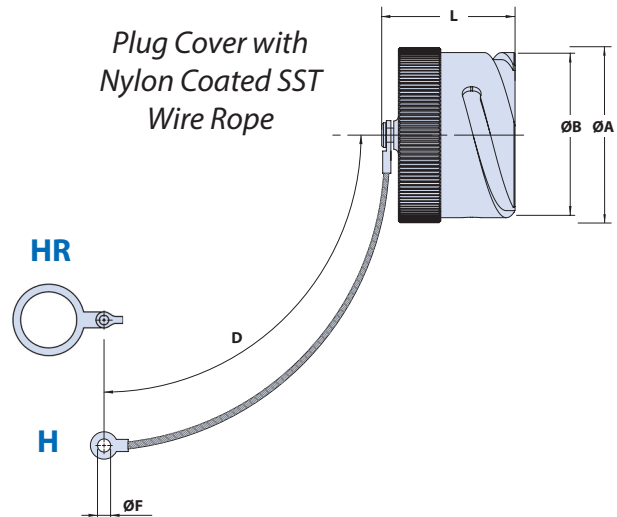
Accessories - Metal Protective Covers



Plug Cover with Sash Chain

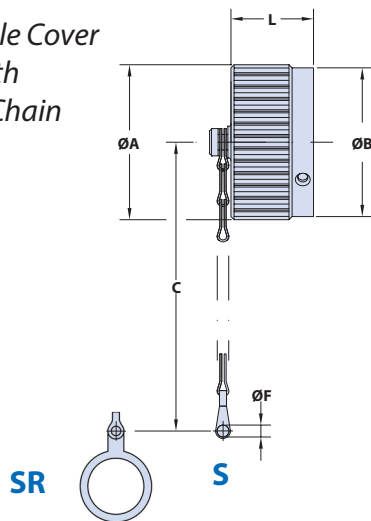


Plug Cover with Nylon Coated SST Wire Rope

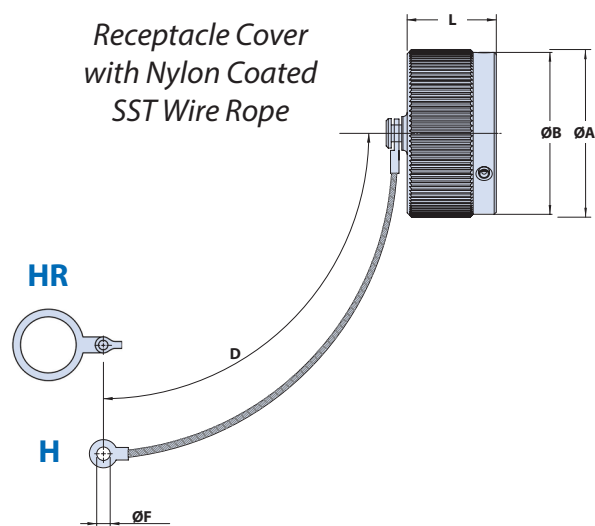


Shell Size	ØA Max.	ØB ±0.1	C min.	D min.	ØF ±0.2 -0	L Max.
24	46.5	40.9	138	193	4.8	33.0
28	54.0	46.7	206	193	4.8	33.0
32	60.0	53.4	206	193	5.6	34.2
40	73.0	65.5	206	193	5.6	34.2

Receptacle Cover with Sash Chain



Receptacle Cover with Nylon Coated SST Wire Rope



Shell Size	ØA Max.	ØB ±0.1	C min.	D min.	ØF ±0.2 -0	L Max.
24	46.5	45.2	123	193	4.3	21.2
28	53.3	52.0	206	193	5.6	21.2
32	60.0	58.7	206	193	5.6	21.2
40	72.3	71.3	206	193	5.6	21.2

