

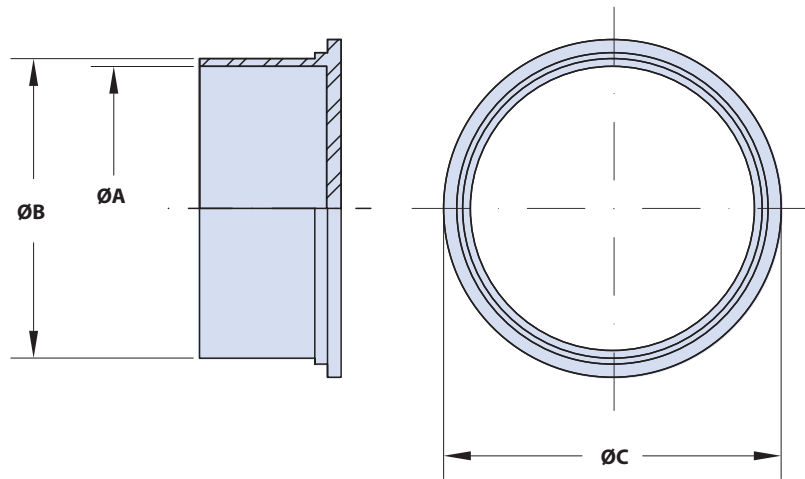


## Series 921 Super ITS™ Connectors and Accessories

### Accessories - Plastic Protective Covers and Single Wire Seal

## Plastic Protective Covers

Plastic cap for receptacle and plug connectors for protection against dust and mechanical damage for use during shipping and storage.



**RECEPTACLE PLASTIC DUST CAP**  
**PART NUMBERS, SHELL SIZE AND DIMENSIONS**

Shell Size	Part Number	ØA ±0.25	ØB ±0.25	ØC ±0.78
24	IT P02-24	40.65	43.20	47.00
28	IT P02-28	46.45	49.05	52.00
32	IT P02-32	53.15	55.75	60.00
40	IT P02-40	65.25	67.85	72.00

**PLUG PLASTIC DUST CAP**  
**PART NUMBERS, SHELL SIZE AND DIMENSIONS**

Shell Size	Part Number	ØA ±0.25	ØB ±0.25	ØC ±0.78
24	IT 90376-24R	37.16	39.94	43.18
28	IT 90376-28R	43.56	45.46	49.53
32	IT 90376-32R	49.91	51.82	56.39
40	IT 90376-40R	61.98	64.26	67.56

## Single Wire Seal

Single wire seal adaptable to various cable diameters through cutting.



**SINGLE WIRE SEAL**

Contact Size	Part Number	Cable Overall Diameter Diameter Dimensions	
		Ø min.	Ø max.
16	921-16-WS	1	4
12	921-12-WS	2	5
8	921-8-WS	4	8
4	921-4-WS	7	12.7
1/0	921-0-WS	10	15.8
2/0	921-2-0-WS	12	17.8