

Series 921 Super ITS™ Connectors and Accessories  
Accessories - Backshells

Backshells and Accessories for Series 921

WIRE MESH STRAIN RELIEF GRIP

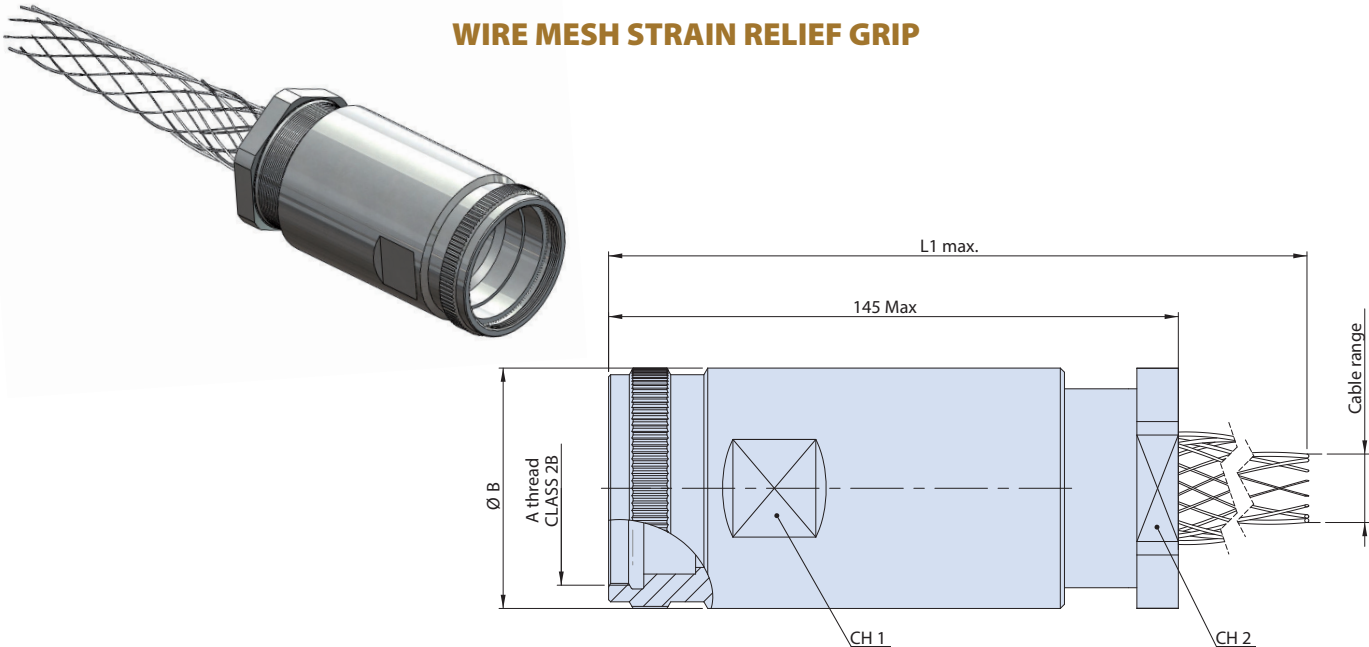


TABLE 1: DIMENSIONS AND KG CODE

SHELL SIZE	KG CODE	REF.	CABLE RANGE [mm]		A thread CLASS 2B	ØB max. [mm]	L1 max. [mm]	CH 1 [mm]	CH 2 [mm]
			Min.	Max.					
32	KG2	MS90561-2	25,5	29,1	1 7/8 - 16 UN	59	305	53	52
	KG3	MS90561-3	26,8	32,0			320		
	KG13	MS90561-13	30,1	34,1			335		
40	KG6	MS90561-6	31,0	34,9	2 5/16 - 16 UNS	69	360	63	62
	KG15	MS90561-15	34,5	38,5			385		
	KG19	MS90561-19	39,4	44,4			410		

HOW TO ORDER

MATERIAL / FINISH OPTION

SHELL SIZE	KG CODE	ALUMINUM	ALUMINUM	ALUMINUM	ALUMINUM	ALUMINUM	STAINLESS STEEL	MARINE BRONZE
		Black electrostatic paint	Cadmium, Olive Drab	Nickel PTFE	Electroless nickel	Anodize, Hardcoat	Passivate	Unplated
		F6	G3	MT	M	G2	Z1	AB
32	KG2	921-123-32F6	921-123-32G3	921-123-32MT	921-123-32M	921-123-32G2	921-123-32Z1	921-123-32AB
	KG3	921-124-32F6	921-124-32G3	921-124-32MT	921-124-32M	921-124-32G2	921-124-32Z1	921-124-32AB
	KG13	921-125-32F6	921-125-32G3	921-125-32MT	921-125-32M	921-125-32G2	921-125-32Z1	921-125-32AB
40	KG6	921-126-40F6	921-126-40G3	921-126-40MT	921-126-40M	921-126-40G2	921-126-40Z1	921-126-40AB
	KG15	921-127-40F6	921-127-40G3	921-127-40MT	921-127-40M	921-127-40G2	921-127-40Z1	921-127-40AB
	KG19	921-128-40F6	921-128-40G3	921-128-40MT	921-128-40M	921-128-40G2	921-128-40Z1	921-128-40AB