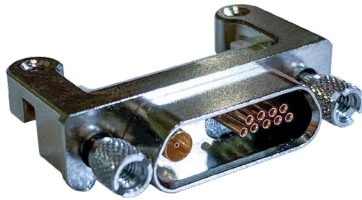


Horizontal PCB-mount coax and combo coax receptacles Surface-mount termination • edge-launched

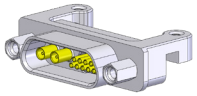
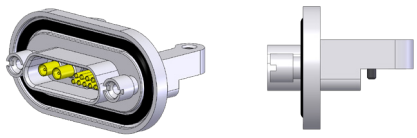


GMMD-HRE horizontal PCB-mount receptacle (combo 1V9 layout shown)

| HOW TO ORDER | |
|--|--|
| Sample Part Number | GMMD -HRE 2C9 -2 P M 1 |
| Series | GMMD = Glenair Modular High-Speed Micro-D |
| Connector Format | -HRE = Horizontal edge-launched receptacle -HRPE = Horizontal panel-sealed edge launched recept. |
| Contact Arrangement | See Table. Consult factory for additional arrangements. |
| Shell Material / Finish | -2 = Aluminum / Electroless Nickel -5 = Aluminum / Gold -3 = Stainless Steel / Passivated -6 = Aluminum/Alchromate -7 = Aluminum / Nickel-PTFE -8 = Aluminum / Zinc-Nickel, Black |
| Jackpost Options | Specify per Jackpost / Hardware Options in table below |
| Board-Mount Options | Specify per Board-Mount Thread Options in table below |
| Sealing Options for HRPE (omit for HRE) | 0 = No O-ring 1 = Fluorosilicone 2 = Passivated silver-plated aluminum-filled fluorosilicone 3 = Nickel-plated aluminum-filled fluorosilicone |

CONNECTOR FEATURES

- One of the smallest rugged multiway RF coax connectors available
- 50Ω on 3.18mm pitch for combo arrangements
- 50Ω on 2.54 pitch for coax-only arrangements
- Shield isolated from connector shell
- PCB edge-launched for optimized 20GHz high-bandwidth performance
- Compatible with RG178, semi rigid and flexible 047 cables and 086 for 50Ω

| CONNECTOR FORMAT | |
|--|--|
|  GMMD-HRE Horizontal PCB-Mount Edge-Launched Receptacle |  GMMD-HRPE Horizontal PCB-Mount Panel-Sealed Edge-Launched Receptacle |

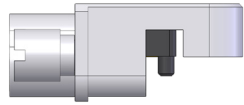
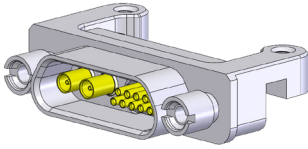
| JACKPOST / HARDWARE OPTIONS and BOARD-MOUNT THREAD OPTIONS | | | |
|--|------|-----------------|---------------------------|
| | Code | Jackpost option | |
| | | Panel Thickness | Board-Mount Thread Option |
| Rear panel mount jackpost | T | 2.4mm | M M2 metric |
| | U | 2.0mm | |
| | V | 1.6mm | |
| | W | 1.2mm | U #2-56 UNC |
| | X | 0.8mm | |
| Factory installed jackpost | Y | 0.6mm | M M2 metric |
| | S | | |
| | | | |

| GMMD COAX AND COMBO COAX CONTACT ARRANGEMENTS | | | |
|---|------------|---------------|--------------|
| Code | Shell Size | Coax Contacts | #24 Contacts |
| 2C | 9 | 2x50Ω | |
| 4C | 21 | 4x50Ω | |
| 6C | 25 | 6x50Ω | |
| 8C | 31 | 8x50Ω | |
| 16C | 67 | 16x50Ω | |
| 1C9 | 15 | 1x50Ω | 9 |
| 2C9 | 21 | 2x50Ω | 9 |
| 1V9 | 21 | 1x75Ω | 9 |
| 2V9 | 31 | 2x75Ω | 9 |
| 4V | 21 | 4x75Ω | |

Horizontal PCB-mount coax and combo coax receptacles Surface-mount termination - edge-launched

GMMD COAX AND COMBO COAX CONNECTORS

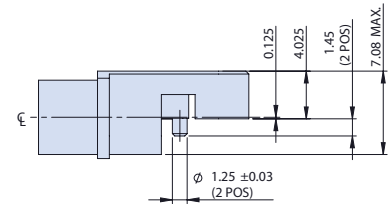
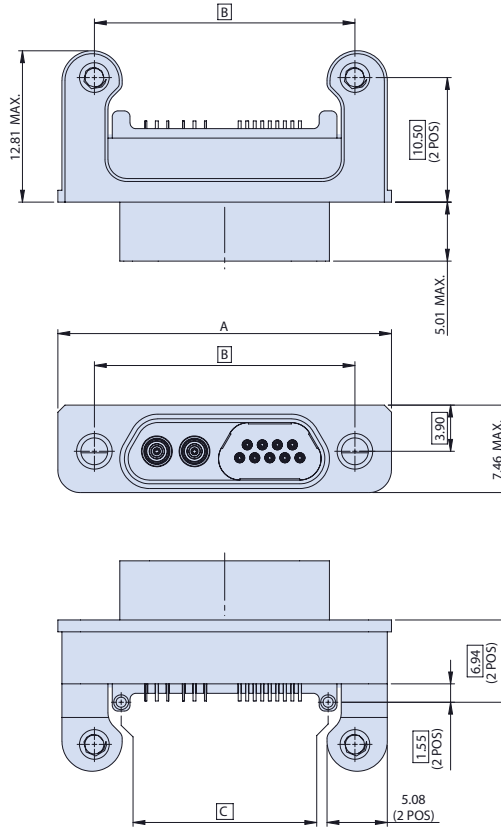
GMMD-HRE HORIZONTAL EDGE-LAUNCHED PCB-MOUNT CONNECTOR DIMENSIONS



GMMD-HRE

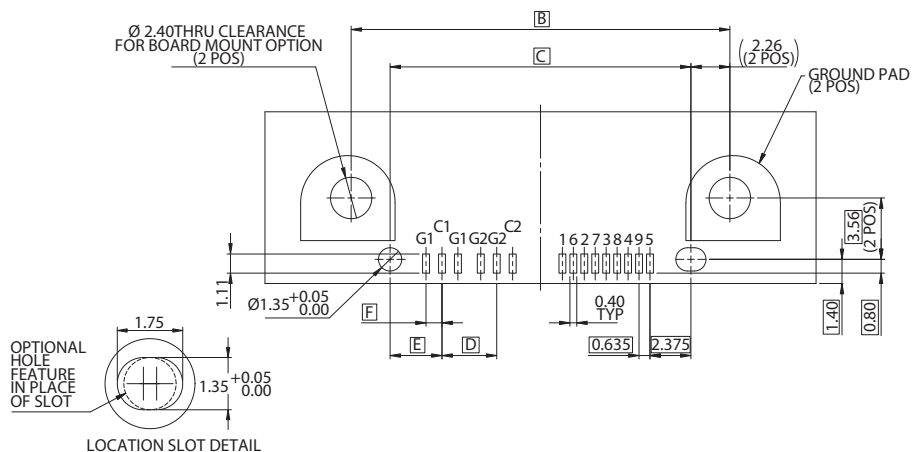
Horizontal PCB-Mount Edge-Launched Receptacle

| Shell size | A (mm) | B (mm) | C (mm) |
|------------|--------|--------|--------|
| 9 | 20.56 | 14.35 | 9.83 |
| 15 | 24.37 | 18.16 | 13.64 |
| 21 | 28.18 | 21.97 | 17.45 |
| 25 | 30.72 | 24.51 | 19.99 |
| 31 | 34.53 | 28.32 | 23.80 |
| 51 | 47.23 | 41.02 | 36.50 |
| 67 | 57.39 | 51.18 | 46.66 |



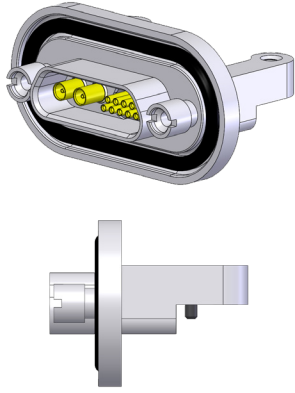
PCB MOUNTING PATTERN FOR GMMD-HRE HORIZONTAL EDGE-LAUNCHED PCB-MOUNT CONNECTOR (SMT MOUNT - COMPONENT SIDE)

| | | D | E | F | |
|--------------|-------------|-------|------|-------|-------|
| 50ohm hybrid | | 3.175 | 3.01 | 0.925 | |
| 75ohm hybrid | | 4.15 | 3.53 | 1.325 | |
| Shell size | Arrangement | | | | |
| 50ohm only | 9 | 2C | 2.54 | 3.645 | 0.925 |
| | 21 | 4C | 2.54 | 4.915 | 0.925 |
| | 25 | 6C | 2.54 | 3.645 | 0.925 |
| | 3 | 8C | 2.54 | 3.01 | 0.925 |
| | 51-2 | 12C | 2.54 | 4.28 | 0.925 |
| 67 | 16C | 2.54 | 4.28 | 0.925 | |
| 75ohm only | 9 | 2V | 3.5 | 3.165 | 1.325 |
| | 15 | 3V | 3.5 | 3.32 | 1.325 |
| | 21 | 4V | 3.5 | 3.475 | 1.325 |



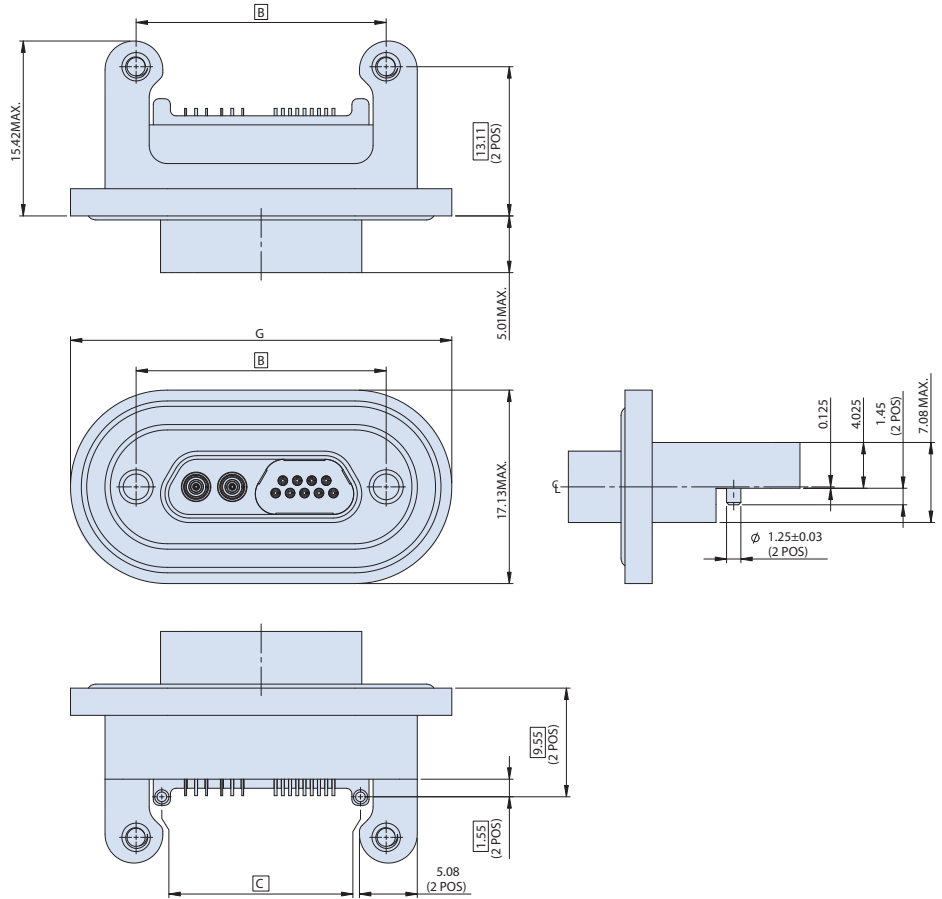
Horizontal PCB-mount coax and combo coax receptacles Surface-mount termination - panel-sealed edge-launched

GMMD-HRPE HORIZONTAL PANEL-SEALED EDGE-LAUNCHED PCB-MOUNT CONNECTOR DIMENSIONS



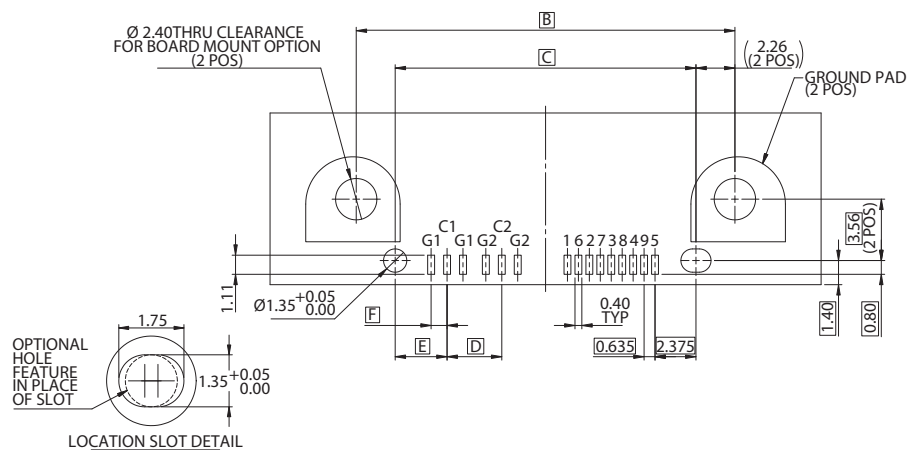
GMMD-HRPE
Horizontal PCB-Mount Panel-Sealed
Edge-Launched Receptacle

| Shell size | B (mm) | C (mm) | G (mm) |
|------------|--------|--------|--------|
| 9 | 9.83 | 25.88 | 25.88 |
| 15 | 13.64 | 29.69 | 26.69 |
| 21 | 17.45 | 33.50 | 33.50 |
| 25 | 19.99 | 36.04 | 36.04 |
| 31 | 23.80 | 39.85 | 39.85 |
| 67 | 46.66 | 62.71 | 62.71 |



PCB MOUNTING PATTERN FOR GMMD-HRPE HORIZONTAL PANEL-SEALED EDGE-LAUNCHED PCB-MOUNT (SMT MOUNT - COMPONENT SIDE)

| | | D | E | F | |
|--------------|-------------|-------|------|-------|-------|
| 50ohm hybrid | | 3.175 | 3.01 | 0.925 | |
| 75ohm hybrid | | 4.15 | 3.53 | 1.325 | |
| Shell size | Arrangement | | | | |
| 50ohm only | 9 | 2C | 2.54 | 3.645 | 0.925 |
| | 21 | 4C | 2.54 | 4.915 | 0.925 |
| | 25 | 6C | 2.54 | 3.645 | 0.925 |
| | 3 | 8C | 2.54 | 3.01 | 0.925 |
| | 51-2 | 12C | 2.54 | 4.28 | 0.925 |
| 75ohm only | 9 | 2V | 3.5 | 3.165 | 1.325 |
| | 15 | 3V | 3.5 | 3.32 | 1.325 |
| | 21 | 4V | 3.5 | 3.475 | 1.325 |



GMMD COAX AND COMBO COAX CONNECTORS