

## 650-072

HN Dummy Receptacle

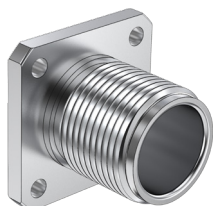
## 650-073

SMA Dummy Receptacle

## 650-074

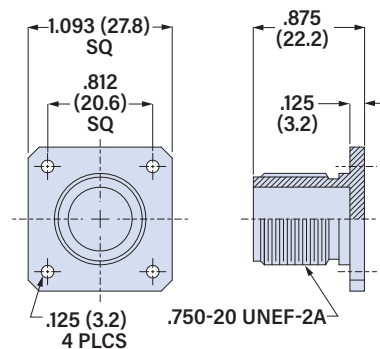
N Dummy Receptacle

### 650-072 DUMMY RECEPTACLE FOR TYPE HN COAX RF PLUGS

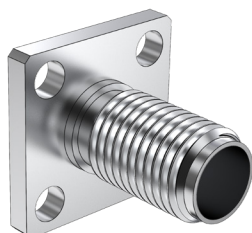


Use dummy storage receptacle to secure and protect unused plugs. 650-072 receptacle accommodates Type HN coaxial plug connectors. Aluminum, stainless steel or brass.

PART NUMBER	
Aluminum 6061-T6	Electroless Nickel <b>650-072M</b>
	Black Zinc-Nickel <b>650-072ZR</b>
	Nickel-PTFE <b>650-072MT</b>
	O. D. Cadmium <b>650-072NF</b>
303 SST	Passivate <b>650-072Z1</b>
	Electroless Nickel <b>650-072ZM</b>
Brass	Electroless Nickel <b>650-072BM</b>
	White Bronze <b>650-072WB</b>

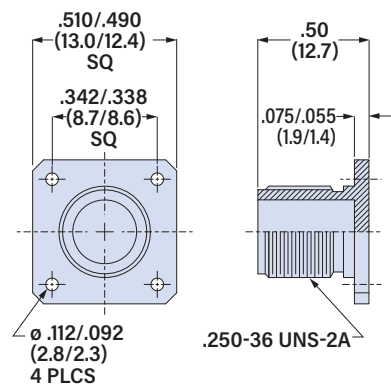


### 650-073 DUMMY RECEPTACLE FOR SMA COAX RF PLUGS

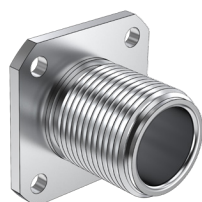


Use dummy storage receptacle to secure and protect unused plugs. 650-073 receptacle accommodates M39012 Series SMA connectors. Aluminum, stainless steel or brass.

PART NUMBER	
Aluminum 6061-T6	Electroless Nickel <b>650-073M</b>
	Black Zinc-Nickel <b>650-073ZR</b>
	Nickel-PTFE <b>650-073MT</b>
	O. D. Cadmium <b>650-073NF</b>
303 SST	Passivate <b>650-073Z1</b>
	Electroless Nickel <b>650-073ZM</b>
Brass	Electroless Nickel <b>650-073BM</b>
	White Bronze <b>650-073WB</b>

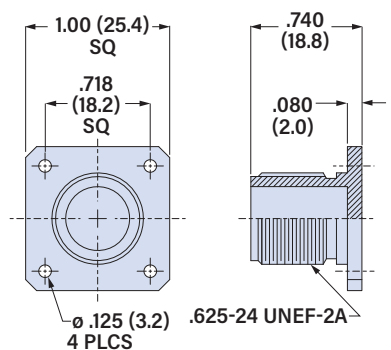


### 650-074 DUMMY RECEPTACLE FOR TYPE N COAX RF PLUGS



Use dummy storage receptacle to secure and protect unused plugs. 650-074 receptacle accommodates Type N RF connectors. Aluminum, stainless steel or brass.

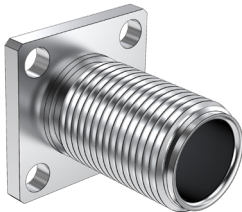
PART NUMBER	
Aluminum 6061-T6	Electroless Nickel <b>650-074M</b>
	Black Zinc-Nickel <b>650-074ZR</b>
	Nickel-PTFE <b>650-074MT</b>
	O. D. Cadmium <b>650-074NF</b>
303 SST	Passivate <b>650-074Z1</b>
	Electroless Nickel <b>650-074ZM</b>
Brass	Electroless Nickel <b>650-074BM</b>
	White Bronze <b>650-074WB</b>



**650-075**  
**TNC Dummy Receptacle**

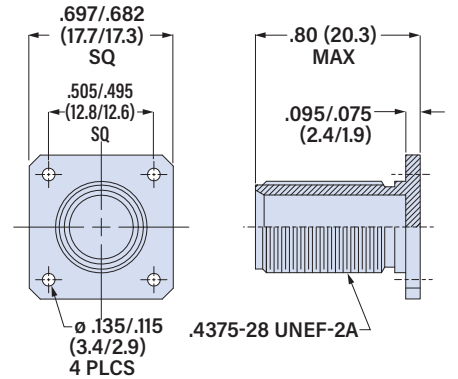
**650-076**  
**BNC Dummy Receptacle**

**650-075 DUMMY RECEPTACLE FOR TNC COAX RF PLUGS**

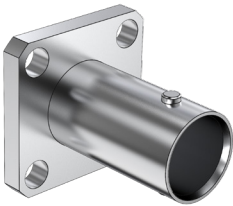


Use dummy stowage receptacle to secure and protect unused plugs. 650-075 receptacle accommodates M39012 Series TNC RF connectors. Aluminum, stainless steel or brass.

PART NUMBER	
Aluminum 6061-T6	Electroless Nickel <b>650-075M</b>
	Black Zinc-Nickel <b>650-075ZR</b>
	Nickel-PTFE <b>650-075MT</b>
	O. D. Cadmium <b>650-075NF</b>
303 SST	Passivate <b>650-075Z1</b>
	Electroless Nickel <b>650-075ZM</b>
Brass	Electroless Nickel <b>650-075BM</b>
	White Bronze <b>650-075WB</b>



**650-076 DUMMY RECEPTACLE FOR BNC COAX RF PLUGS**



Use dummy stowage receptacle to secure and protect unused plugs. 650-076 receptacle accommodates M39012 Series BNC RF connectors. Aluminum, stainless steel or brass.

PART NUMBER	
Aluminum 6061-T6	Electroless Nickel <b>650-076M</b>
	Black Zinc-Nickel <b>650-076ZR</b>
	Nickel-PTFE <b>650-076MT</b>
	O. D. Cadmium <b>650-076NF</b>
303 SST	Passivate <b>650-076Z1</b>
	Electroless Nickel <b>650-076ZM</b>
Brass	Electroless Nickel <b>650-076BM</b>
	White Bronze <b>650-076WB</b>

