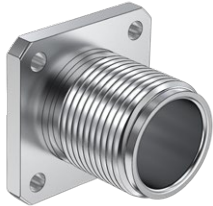


**650-072 650-074
650-073**

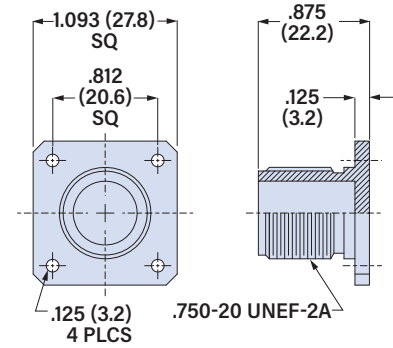
RF CONNECTOR ACCESSORIES

650-072 DUMMY RECEPTACLE FOR TYPE HN COAX RF PLUGS

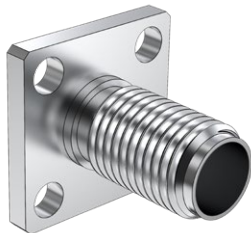


Use dummy storage receptacle to secure and protect unused plugs. 650-072 receptacle accommodates Type HN coaxial plug connectors. Aluminum, stainless steel or brass.

| PART NUMBER | |
|----------------------------|-------------------------------------|
| Aluminum 6061-T6 | Electroless Nickel 650-072M |
| | Black Zinc-Nickel 650-072ZR |
| | Nickel-PTFE 650-072MT |
| | O. D. Cadmium 650-072NF |
| 303 SST | Passivate 650-072Z1 |
| | Electroless Nickel 650-072ZM |
| Brass | Electroless Nickel 650-072BM |
| | White Bronze 650-072WB |

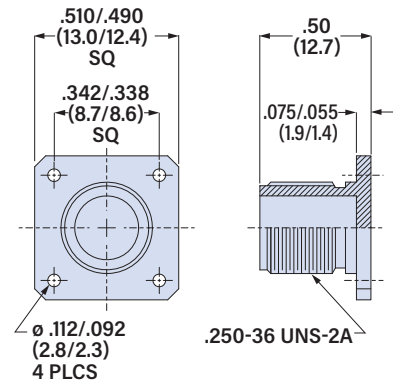


650-073 DUMMY RECEPTACLE FOR SMA COAX RF PLUGS



Use dummy storage receptacle to secure and protect unused plugs. 650-073 receptacle accommodates M39012 Series SMA connectors. Aluminum, stainless steel or brass.

| PART NUMBER | |
|----------------------------|-------------------------------------|
| Aluminum 6061-T6 | Electroless Nickel 650-073M |
| | Black Zinc-Nickel 650-073ZR |
| | Nickel-PTFE 650-073MT |
| | O. D. Cadmium 650-073NF |
| 303 SST | Passivate 650-073Z1 |
| | Electroless Nickel 650-073ZM |
| Brass | Electroless Nickel 650-073BM |
| | White Bronze 650-073WB |



650-074 DUMMY RECEPTACLE FOR TYPE N COAX RF PLUGS



Use dummy storage receptacle to secure and protect unused plugs. 650-074 receptacle accommodates Type N RF connectors. Aluminum, stainless steel or brass.

| PART NUMBER | |
|----------------------------|-------------------------------------|
| Aluminum 6061-T6 | Electroless Nickel 650-074M |
| | Black Zinc-Nickel 650-074ZR |
| | Nickel-PTFE 650-074MT |
| | O. D. Cadmium 650-074NF |
| 303 SST | Passivate 650-074Z1 |
| | Electroless Nickel 650-074ZM |
| Brass | Electroless Nickel 650-074BM |
| | White Bronze 650-074WB |

