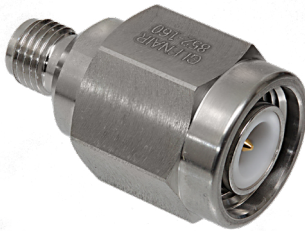


## TNC-SMA Adapters

### GRF05-0015 TNC MALE TO SMA FEMALE ADAPTER

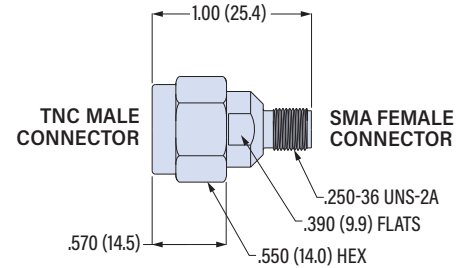


**TNC Male / SMA Female.** Connect TNC jack to SMA plug with GRF05-0015 adapter. Stainless steel body with gold-plated BeCu contact, PTFE insulator, nickel-plated phosphor bronze lock ring, and silicone gasket.

- Operating temperature: -45 °C to +125 °C
- Frequency range: DC - 18 GHz
- VSWR: 1.20 maximum
- Impedance: 50 ohm

#### PART NUMBER

**GRF05-0015**



### GRF05-0016 TNC FEMALE TO SMA FEMALE ADAPTER

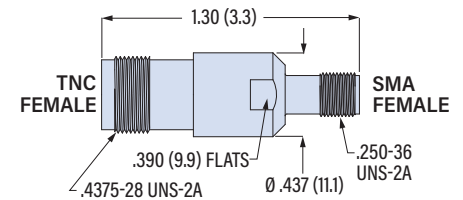


**TNC Female / SMA Female.** Connect TNC plug to SMA plug with GRF05-0016 adapter. Stainless steel body, gold-plated BeCu contact, PTFE insulator.

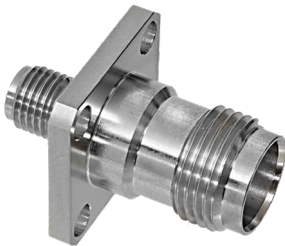
- Operating temperature: -45 °C to +125 °C
- Frequency range: DC - 18 GHz
- VSWR: 1.20 maximum
- Impedance: 50 ohm

#### PART NUMBER

**GRF05-0016**



### GRF05-0017 TNC FEMALE TO SMA FEMALE ADAPTER, SQUARE FLANGE

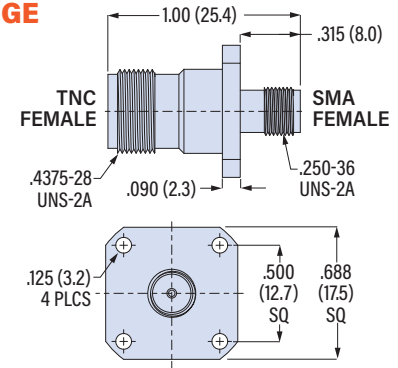


**TNC Female / SMA Female. 4 Hole Flange.** Connect TNC plug to SMA plug with GRF05-0017 adapter. Stainless steel body, gold-plated BeCu contact, PTFE insulator.

- Operating temperature: -45 °C to +125 °C
- Frequency range: DC - 18 GHz
- VSWR: 1.20 maximum
- Impedance: 50 ohm

#### PART NUMBER

**GRF05-0017**



### GRF05-0018 TNC FEMALE TO SMA FEMALE ADAPTER, JAM NUT

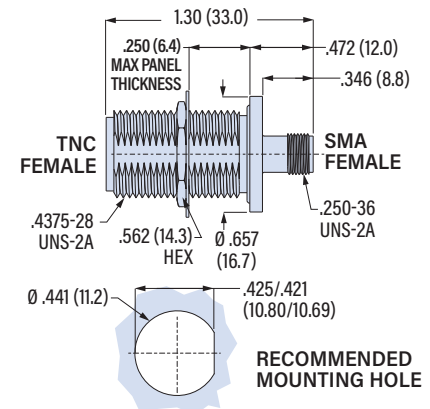


**TNC Female / SMA Female. Jam nut panel mounting.** Connect TNC plug to SMA plug with GRF05-0018 adapter. Stainless steel body and hex nut. Gold-plated BeCu contact. Nickel-plated brass lock washer, PTFE insulator, silicone O-ring.

- Operating temperature: -45 °C to +125 °C
- Frequency range: DC - 18 GHz
- VSWR: 1.20 maximum
- Impedance: 50 ohm

#### PART NUMBER

**GRF05-0018**



RECOMMENDED MOUNTING HOLE