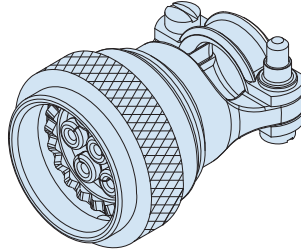


Cable Organizers

Series 806 RF

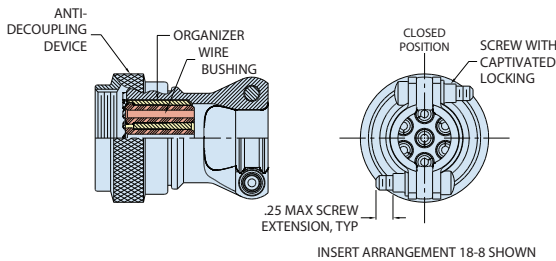


WIRE BUSHING

Applies to 620VS093 and 610VS027

Contact Size	Grommet Material		
	047 Cable	086 Cable	130 Cable
12	Fluorosilicone	Fluorosilicone	Thermoplastic
16	Fluorosilicone	Thermoplastic	N/A

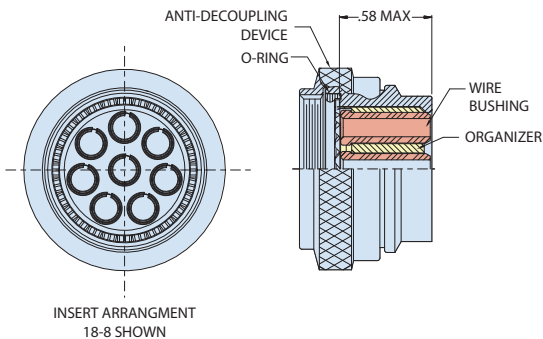
620VS093 STRAIN RELIEF WIRE GUIDE



PART NUMBER

					620VS093	ME	18	-8	-047	
Base P/N	620VS093									
Material/ Finish	NF	Alum/ Cad/O.D. over Electroless Nickel								
	MT	Alum/ Nickel-PTFE								
	ZR	Alum/ Black Zinc-Nickel								
	ME	Alum/ Electroless Nickel								
	ZL	SST/ Electro-Deposited Nickel								
Shell Size	8, 9, 10, 11, 12, 14, 16, 18, 20, 22, 24									
Insert Arrangement	Per 806 RF Series With size 12 or size 16 discrete contacts only									
Coax Cable Size	047	ø.050/.059	086	ø.095/.109	130	ø.125/.135				

610VS027 E-NUT



PART NUMBER

					610VS027	ME	18	-8	-086	
Base P/N	610VS027									
Material/ Finish	NF	Alum/ Cad/O.D. over Electroless Nickel								
	MT	Alum/ Nickel-PTFE								
	ZR	Alum/ Black Zinc-Nickel								
	ME	Alum/ Electroless Nickel								
	ZL	SST/ Electro-Deposited Nickel								
Shell Size	8, 9, 10, 11, 12, 14, 16, 18, 20, 22, 24									
Insert Arrangement	Per 806 RF Series With size 12 or size 16 discrete contacts only									
Coax Cable Size	047	ø.050/.059	086	ø.095/.109	130	ø.125/.135				

SERIES 806 MULTI-PIN RF CONNECTORS