

RF, Microwave, and mmWave Interconnects
SERIES 795 High-Density
 Multi-Port RF Rectangular Connectors



795-005S
 Cable Plug, Socket Contacts

- Size #12 Contacts
 - All-Aluminum Body
 - Three to Eleven Ports
- 40 GHz SMPM Coax
 - Environmental
 - Scoop-Proof



Three to eleven ports. Size 12 contacts. 795-005 plugs have machined aluminum housings and fluorosilicone grommet for environmental protection. Size 12 socket contact cavities have beryllium copper retention clips. Use with 40 GHz SMPM coax contacts (P/N 852-100, ordered separately).

SERIES 795 MULTI-PIN RF CONNECTORS

CONSTRUCTION

- Shell: aluminum
- Grommet: fluorosilicone
- Jackscrew: SST, passivated
- Contact retainer clip: copper alloy, unplated

SPECIFICATIONS

- Operating temperature: -55 °C to +125 °C
- Shock: EIA-364-27 Condition D
- Vibration: EIA-364-28 Condition V Letter E
- Shell-to-shell resistance: 2.5 milliohms max. with ground spring option

COAX CONTACTS

*Not included with 795-005 connector.
 Sold separately.*

for Flexible Coax Cable



- Part Number **852-100**
- 40 GHz, solder termination
- Accepts 405 flex, 120s semiflex, and molex cable

PART NUMBER

	795-005S	1-2	M	L
Base P/N	795-005S			
Arrangement No.	<p><i>See Table 1</i></p> <p>1-3 3 contacts</p> <p>1-5 5 contacts</p> <p>1-6 6 contacts</p> <p>2-5 5 contacts, two row</p> <p>2-7 7 contacts, two row</p> <p>2-9 9 contacts, two row</p> <p>2-11 11 contacts, two row</p>			
Material/ Finish	<p>M Alum/ Electroless Nickel</p> <p>MT Alum/ Nickel-PTFE</p>			
Hardware Option	<p><i>See Table 2</i></p> <p>L Jackscrews, Socket Head #8-32, non-removable</p> <p>K Extended Jackscrews Slot Head #8-32, non-removable</p> <p>S Low-Profile Socket Head Screwlock #8-32, non-removable</p> <p>T Extended Screwlock, Knurled Head #8-32, non-removable</p> <p>P Jackposts #8-32, with nut and lock washer</p> <p>N No Hardware .198 (5.0) diameter thru-holes</p>			

TABLE 1 ARRANGEMENT NUMBER

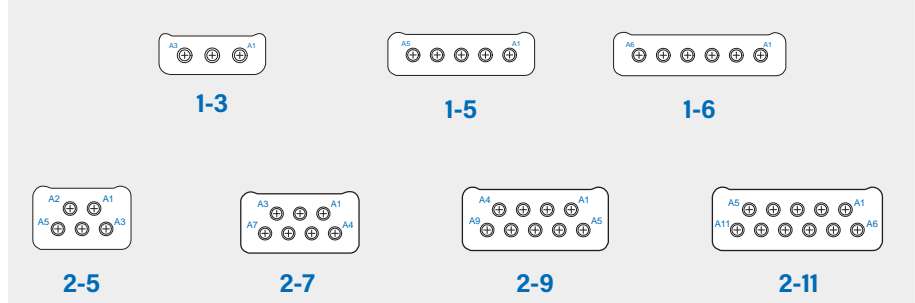
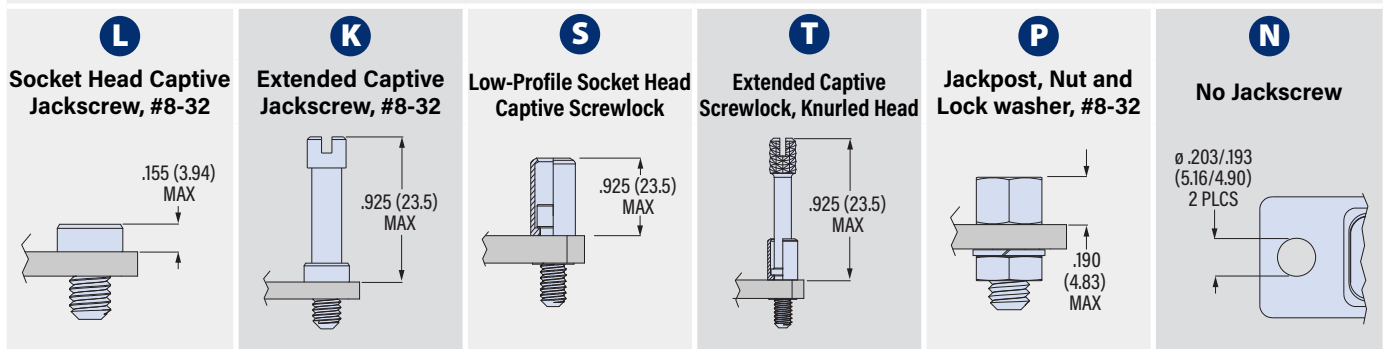


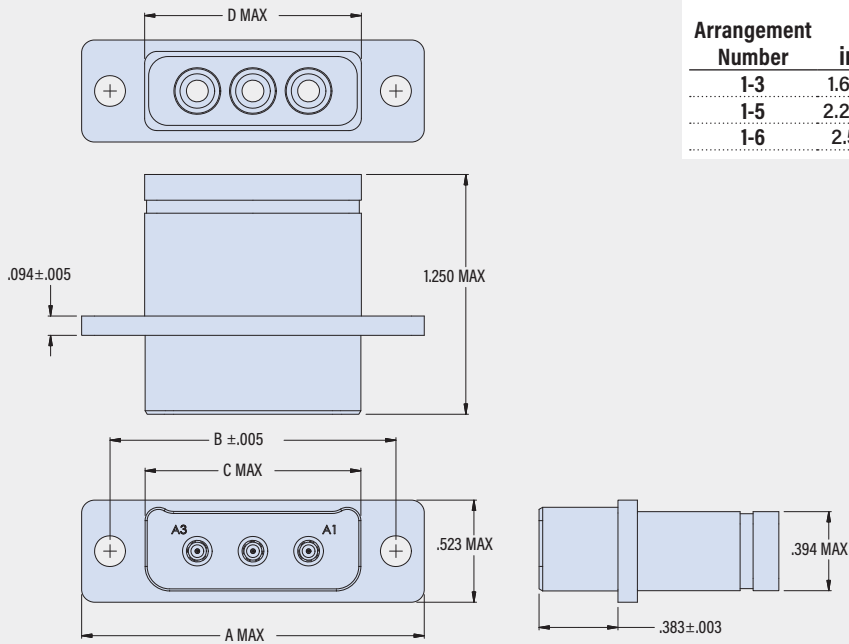
TABLE 2 HARDWARE OPTION



795-005S
 Cable Plug, Socket Contacts

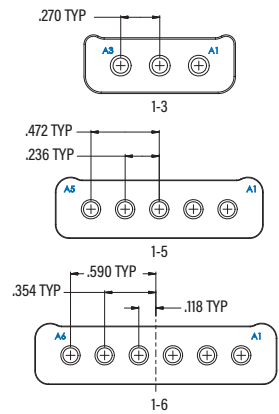
- Size #12 Contacts
 - All-Aluminum Body
 - Three to Eleven Ports
- 40 GHz SMPM Coax
 - Environmental
 - Scoop-Proof

795-005S SINGLE ROW

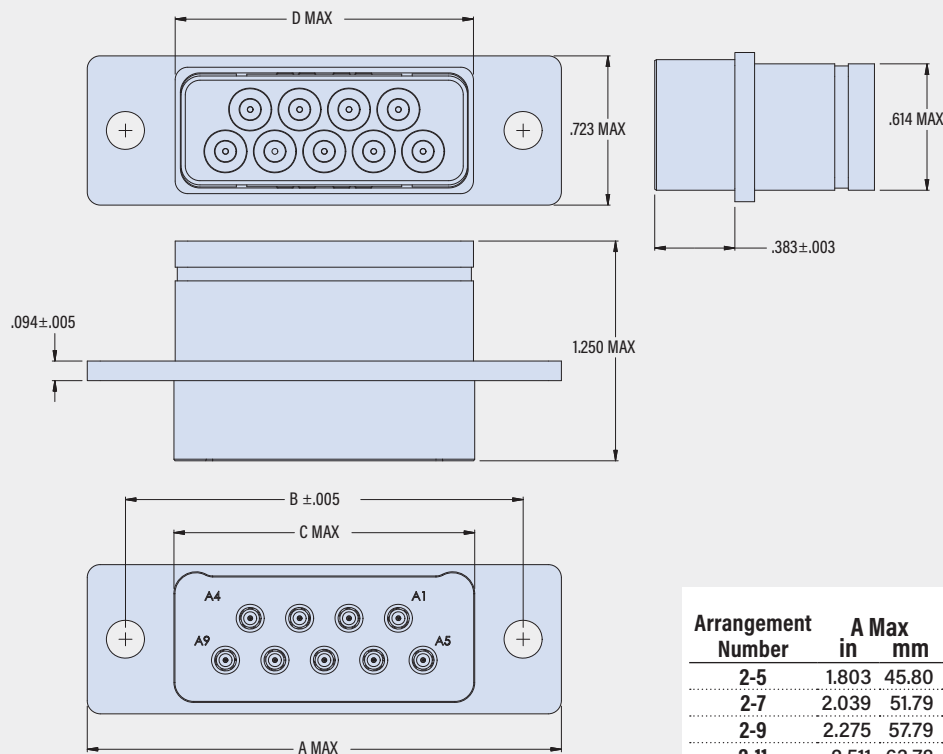


Arrangement Number	A Max		B ±.005 (0.13)		C Max.		D Max.	
	in	mm	in	mm	in	mm	in	mm
1-3	1.673	42.49	1.388	35.26	1.057	26.85	1.062	26.97
1-5	2.275	57.79	1.900	48.26	1.447	36.75	1.435	36.45
1-6	2.511	63.78	2.146	54.51	1.683	42.75	1.671	42.44

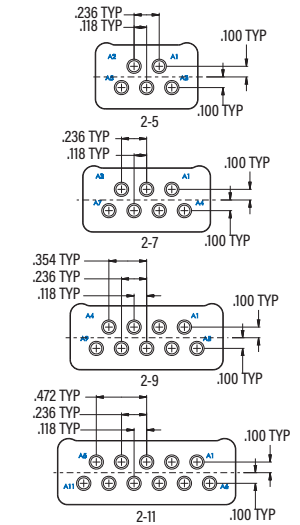
SINGLE ROW ARRANGEMENTS
 PLUG MATING FACE VIEW



795-005S TWO ROW



TWO ROW ARRANGEMENTS
 PLUG MATING FACE VIEW



Arrangement Number	A Max		B ±.005 (0.13)		C Max.		D Max.	
	in	mm	in	mm	in	mm	in	mm
2-5	1.803	45.80	1.428	36.27	.975	24.77	.963	24.66
2-7	2.039	51.79	1.664	42.27	1.211	30.76	1.199	30.46
2-9	2.275	57.79	1.900	48.26	1.447	36.75	1.435	36.45
2-11	2.511	63.78	2.136	54.25	1.683	42.75	1.671	42.44

SERIES 795 MULTI-PIN RF CONNECTORS