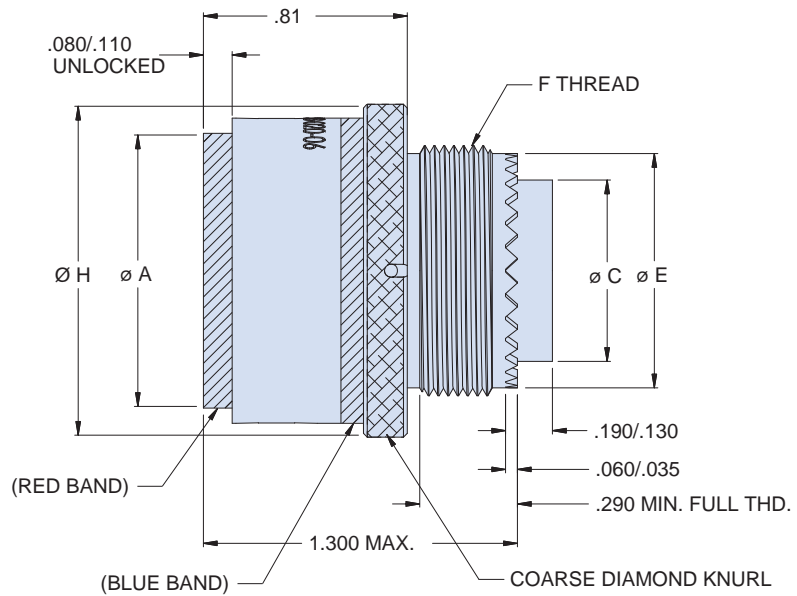
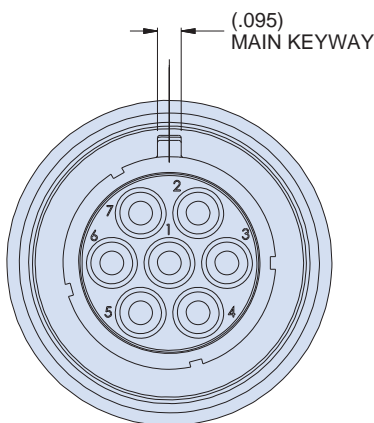


How To Order							
Sample Part Number	253-020	-	06	ME	19-7	P	N
Basic Part Number	AS81703 Series 3 type connector						
Rear Option	- = Accessory threads B = Band porch (consult factory)						
Connector Style	06 = Straight plug AS34671 type (MS3467)						
Material / Finish	C = Al Alloy/Black Anodize ME = Al Alloy/Electroless Nickel NF = Al Alloy/Cad O.D. Over Electroless Nickel MT = Al Alloy/Nickel-PTFE ZR = Al Alloy/Zinc-Nickel Black						
Shell Size / Insert Arrangement	See Table II pg. 2, diagrams on pgs. 4-5						
Contact Styles	P = Pin insert A = Pin insert less contacts S = Socket insert B = Socket insert less contacts						
Insert Clocking Positions	N, W, X, Y, B, C (See Table III pg. 2)						



-06 Plug Dimensions									
Shell Size	Ø A		Ø C Max.		Ø E Max.		F Thd.	H	
	In. ± .02	mm ± .5	In.	mm	In.	mm		In. ± .025	mm ± .6
3	.657	16.7	.351	8.9	.509	12.9	¼-24 UNEF-2A	.925	23.5
7	.795	20.2	.531	13.5	.687	17.4	¾-20 UNEF-2A	1.062	27.0
12	.945	24.0	.665	16.9	.812	20.6	7/8-20 UNEF-2A	1.172	29.8
19	1.090	27.7	.790	20.1	.937	23.8	1-20 UNEF-2A	1.328	33.7
27	1.230	31.2	.869	22.1	.992	25.2	1 1/16-18 UNEF-2A	1.475	37.5
37	1.350	34.3	.994	25.2	1.117	28.4	1 3/16-18 UNEF-2A	1.610	40.9
61	1.620	41.1	1.280	32.5	1.427	36.2	1 1/2-18 UNEF-2A	1.890	48.0