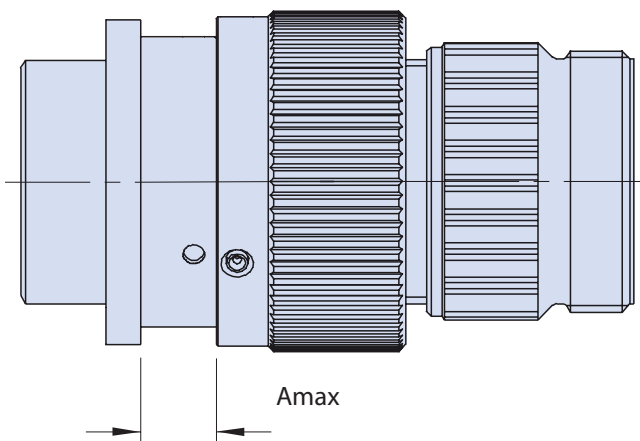




**Glenair Series ITS  
MIL-DTL-5015 Type Reverse Bayonet Connectors  
Panel Cut-Out Mounting Data**

**A**



**MAXIMUM PANEL THICKNESS**

**Panel thickness for type 00. 02 connectors used for rear mounting**

Shell size	10SL	14S	16S 16	18	20	22	24	28	32	36	40
A	3.7	3.7	3.7	3.7	3.7	3.7	5.25	5.25	6.1	6.1	6

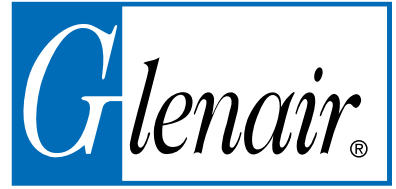
**Panel thickness for type 02PP. 03. 030 and 038 connectors (with threads holes)**

Shell size	10SL	14S	16S 16	18	20	22	24	28	32	36	40
A	7.2	7.2	7.2	7.5	7.5	7.5	7.5	7.5	7.5	7.5	7.5

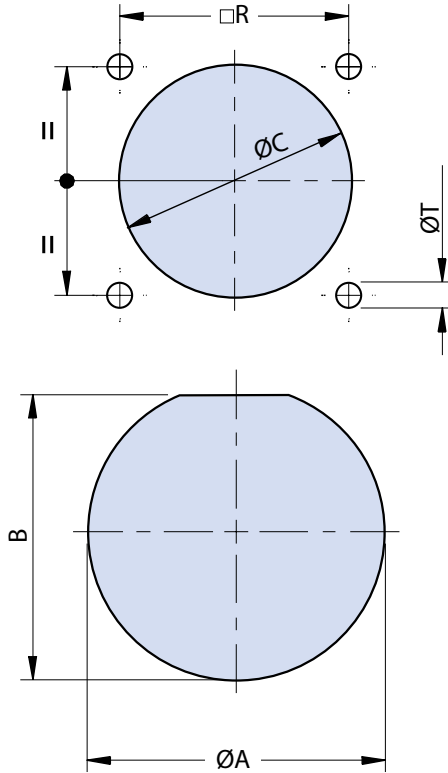
**Panel thickness for type 02PP. 03. 030 and 038 connectors. To be used for plugs with covered coupling nuts**

Shell size	10SL	14S	16S 16	18	20	22	24	28	32	36	40
A	2.5	2.5	2.5	3.2	3.2	3.2	3.2	3.2	3.2	3.2	3.2

**Glenair Series ITS**  
**MIL-DTL-5015 Type Reverse Bayonet Connectors**  
**Panel Cut-Out Mounting Data**



**PANEL CUTOUT**



Panel Mounting Recommended Torque (Threaded Holes Receptacle)[Nm]			
Screw size	Shell Material		
	Aluminum	Marine Bronze	Stainless Steel
<b>M4</b>	1,1	1,6	2
<b>M5</b>	2,1	2,9	3,7

Jam Nut Tightening Torque for type 07, 070, 078	
Shell size	Torque [Nm]
<b>10SL</b>	18
<b>14S</b>	28
<b>16S-16</b>	30
<b>18-20</b>	35
<b>22</b>	40
<b>24-28</b>	45
<b>32</b>	50
<b>36</b>	55
<b>40</b>	60



**Panel cutout for type 00, 02, 26 connectors (front panel mounting)**

Shell size	10SL	14S	16S 16	18	20	22	24	28	32	36	40
<b>ØC</b>	17	20	23	26.5	30	33	36	42	48.50	55	61
<b>R ±0.1</b>	18.2	23.0	24.6	27	29.4	31.8	34.9	39.7	44.5	49.2	55.5
<b>ØT</b>	3.4	3.4	3.4	3.4	3.4	3.4	3.9	3.9	4.5	4.5	4.5

**Panel cutout for type 03, 030, 038, 02PP connectors (rear panel mounting)**

Shell size	10SL	14S	16S 16	18	20	22	24	28	32	36	40
<b>ØC</b>	19.1	25.5	28.3	31.7	35	38.3	41.8	47.6	54.3	60.5	66.4
<b>R ±0.1</b>	18.2	23.0	24.6	27	29.4	31.8	34.9	39.7	44.5	49.2	55.5
<b>ØT</b>	4.5	4.5	4.5	4.5	4.5	4.5	4.5	5.5	5.5	5.5	5.5

**Panel cutout for type 07, 070, 078 connectors (jam nut receptacles)**

Shell size	10SL	14S	16S 16	18	20	22	24	28	32	36	40
<b>ØA + 0.25</b>	22.40	28.75	31.95	35.10	38.30	41.45	44.65	51.00	57.35	63.70	70.05
<b>ØB -0.35</b>	21.00	27.40	30.95	33.75	36.85	40.05	43.350	49.55	55.95	62.35	68.55