

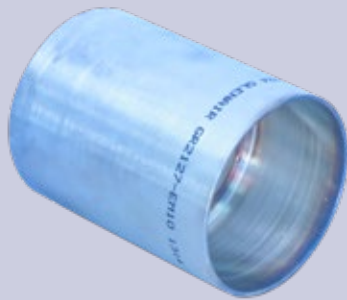
S9407-AB-HBK-010

Conduit Systems for Shipboard Electromagnetic Shielding

GR2127 Conduit coupling

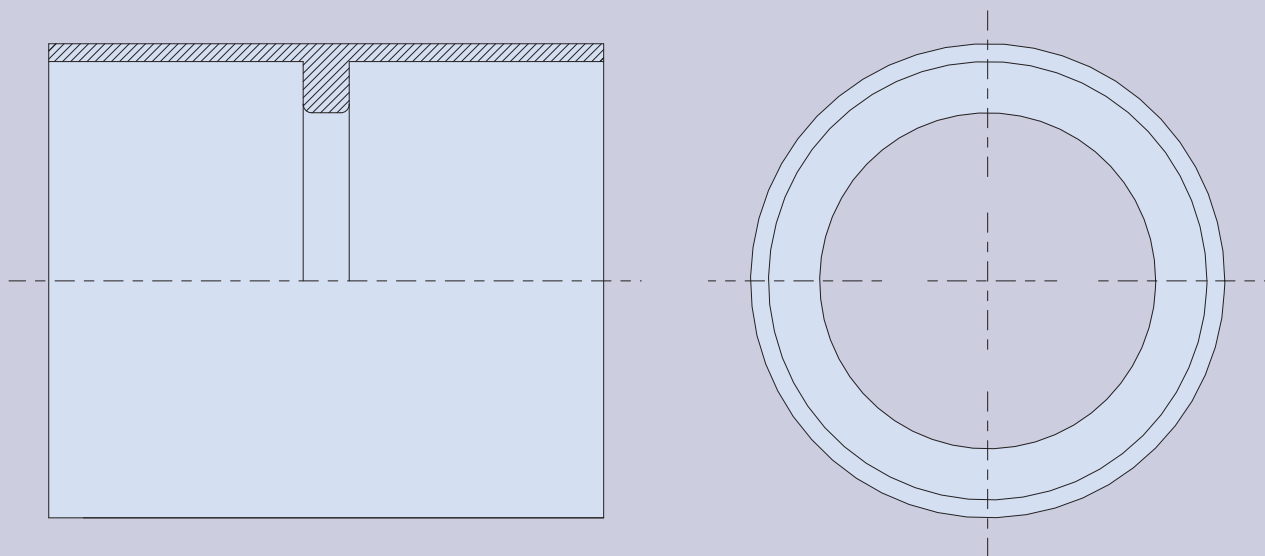


CONDUIT COUPLING IAW S9407-AB-HBK-010 REV 2, GR2127



How To Order		
Sample Part Number	GR2127	-EM08
Basic Part Number	Conduit coupling	
Conduit Part No.	EM02, EM03, EM04, EM05, EM06, EM08, EM10, EM12, EM16, EM20, EM24	

GR2000



MATERIAL / FINISH

Mild Carbon Steel AISI Type B1113 IAW FED-STD-66 / Cadmium IAW QQ-P-416, Type I, Class 3.