

Conduit Systems for Shipboard Electromagnetic Shielding

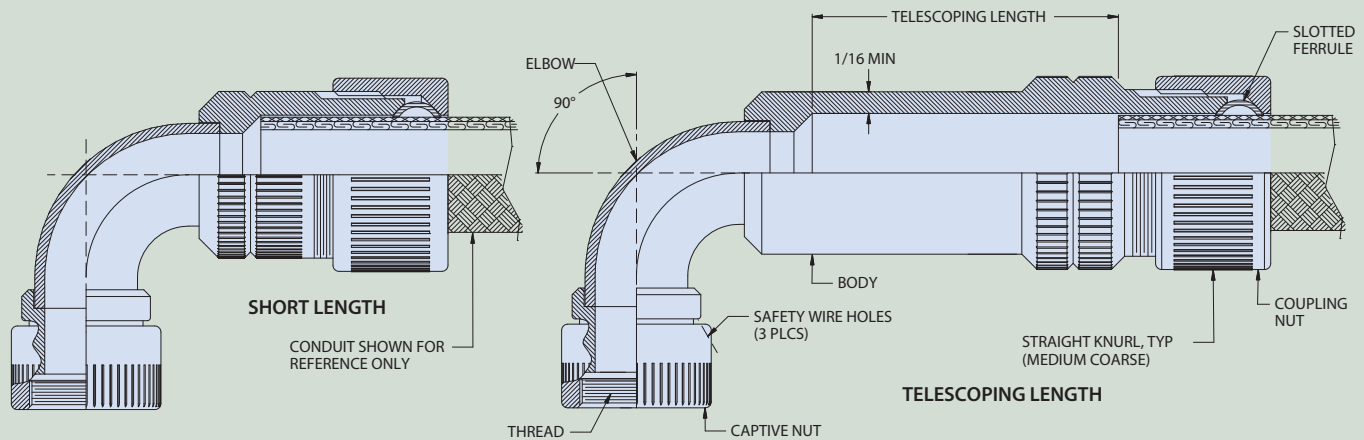
RP2110 Conduit end fitting, 90°



90° CONDUIT END FITTING IAW S9407-AB-HBK-010 REV 2, RP2110

| How To Order | | | |
|--------------------|---|-------|----|
| Sample Part Number | RP2110 | -EM08 | -T |
| Basic Part Number | 90 conduit° end fitting | | |
| Conduit Part No. | EM02, EM03, EM04, EM05, EM06, EM08, EM10, EM12, EM16, EM20, EM24 (See Material/Finish Note) | | |
| Length Option | T = Telescoping Length S = Short Length | | |

RP2000



MATERIAL / FINISH

Body, Ferrule, Nut - Mild Steel AISI Type B1113 IAW Fed-STD-66 / Electroless Nickel IAW AMS 2404C
For Cadmium/Olive Drab over Electroless Nickel Plating, insert "G" In Place Of "EM" In Part Number
Development. Option "F" Has Been Superseded By "G".