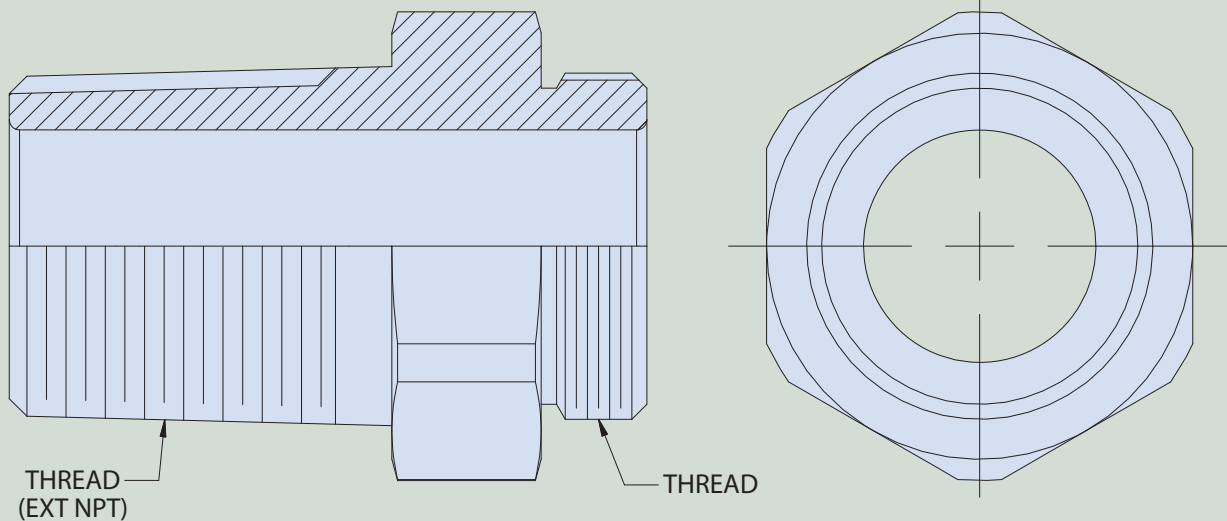


RP2430 Adapter for pipe thread (tapered)

TAPERED PIPE THREAD ADAPTER IAW S9407-AB-HBK-010 REV 2, RP2430

How To Order			
Sample Part Number	RP2430	-05	SM
Basic Part Number	Pipe thread adapter, tapered		
Conduit Size Code	02, 03, 04, 05, 06, 08, 10, 12, 16, 20, 24		
Material / Finish	SN = mild steel with cadmium over electroless nickel finish SM = mild steel with electroless nickel finish IAW AMS 2404C (SM supersedes "no suffix" code reserved for legacy parts)		

RP2000



MATERIAL / FINISH

Mild Steel AISI Type B1113 IAW Fed-STD-66