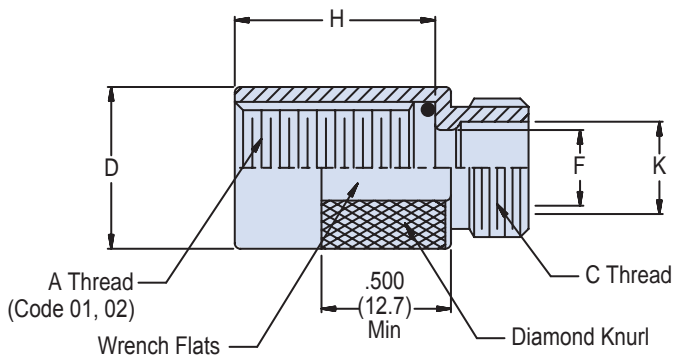
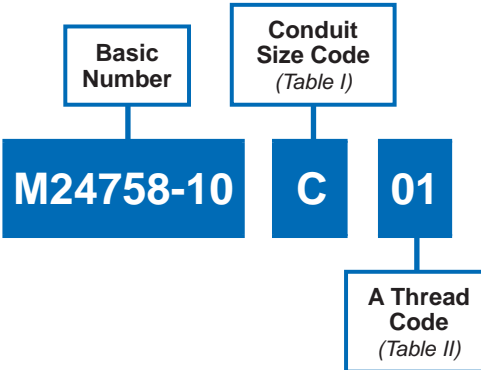
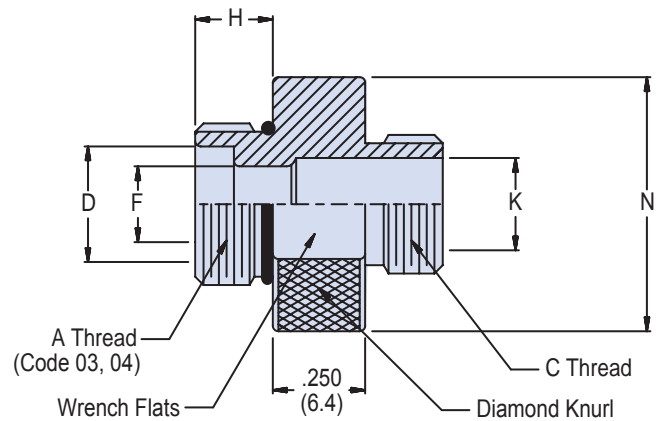


A



**Adapter with
Internal Class 2B Thread
(Code 01 and 02)**



**Adapter with
Internal Class 2B Thread
(Code 03 and 04)**

APPLICATION NOTES

1. Assembly identified with manufacturer's code identification number (Glenair, part number and classification code 490).
2. The M24758-10 adapter couples triaxial connectors to M24758-2, M24758-3 or M24758-4 fittings.
3. See Table III for recommended torque values.
4. Material / Finish:
Adapter - 316 SST/electroless nickel, matte finish.
O-Ring - silicone rubber / NA.
5. Metric dimensions (mm) are indicated in parentheses.

MIL-PRF-24758-10 Adapter for Triaxial Connectors



MIL-PRF
24758A

A

TABLE I

Conduit Size Code	C Class - 2A Thread	K Dia Min	N Dia ± 0.02 (0.5)
A	.438-28 UNEF	.245 (6.2)	.687 (17.4)
B	.688-24 UNEF	.495 (12.6)	.937 (23.8)
C	.938-20 UNEF	.745 (18.9)	1.187 (30.1)
D	1.250-18 UNEF	.995 (25.3)	1.500 (38.1)
J	.563-24 UNEF	.370 (9.4)	.812 (20.6)
K	.813-20 UNEF	.620 (15.7)	1.062 (27.0)

TABLE II: A-THREAD CODE AND ADAPTER DIMENSIONS

A Thread Code	Connector Part Number		A Thread	D Dia Min	F Dia Min	H ± 0.02 (0.5)	Cable (Reference)	
	ITT/Cannon	Formerly Greomar					Type	OD
01	152105-2380	5633	.750-16 UNF-2B	.875 (22.2)	.297 (7.5)	.562 (14.3)	RG-22/U RG-258C/U	.216 (5.5) .195 (5.0)
02	152100-2390	7991	.875-20 UNEF-2B	1.000 (25.4)	.515 (13.1)	.500 (12.7)	RG-214/U RG-98/U	.425 (10.8) .420 (10.7)
03	152190-0000	16312	1.063-18 UNEF-2A	.922 (23.4)	.564 (14.3)	.212 (7.9)	RG-14A/U RG-293A/U *TRF-8 RG-14A/U	.545 (13.8) .545 (13.8) .500 (12.7) .545 (13.8)
04		11865	1.063-18 UNEF-2A	.922 (23.4)	.564 (14.3)	.335 (8.5)	RG-293A/U *TRF-8	.545 (13.8) .500 (12.7)

TABLE III: RECOMMENDED TORQUE

Conduit Size Code	A	B	C	D	J	K
C Thread ± 5 Inch lbs.	40	40	40	40	80	120