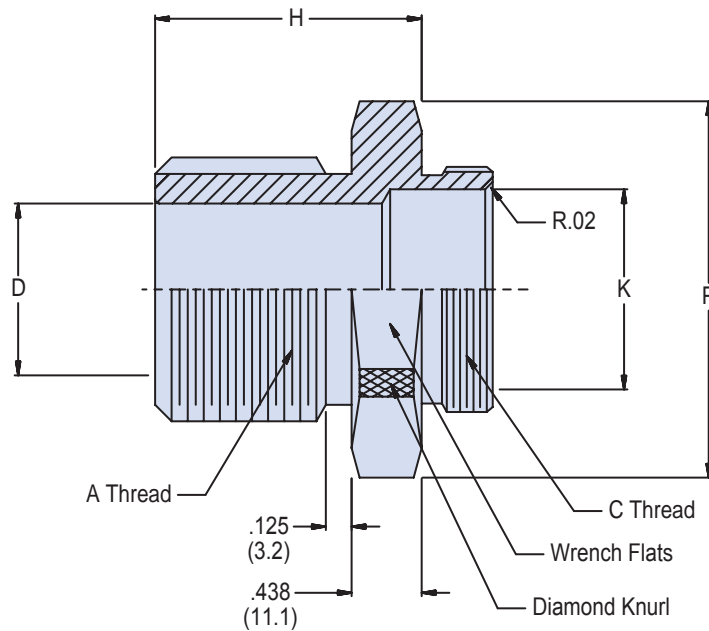
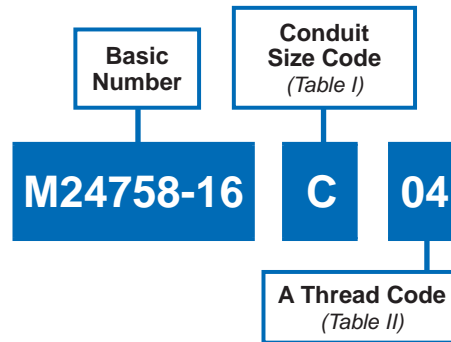


A



APPLICATION NOTES

1. Assembly identified with manufacturer's code identification number (Glenair, part number and classification code 490).
2. The M24758-16 adapter couples miscellaneous fittings to M24758-2, MS24758-3 or M24758-4 series fittings.
3. The American national thread series (N) has been superseded by the unified thread series (UN) the series N-thread sizes listed in table II are retained for use with those items which have series N-threads.
4. Material / Finish:
Adapter, - 316 / electroless nickel, matte finish.
5. Metric dimensions (mm) are indicated in parentheses.

MIL-PRF-24758-16 Adapter for Miscellaneous Fittings



MIL-PRF
24758A

A

TABLE I

CONDUIT SIZE CODE	C CLASS - 2A THREAD	K DIA MIN
A	.438-28 UNEF	.245 (6.22)
B	.688-24 UNEF	.495 (12.57)
C	.938-20 UNEF	.745 (18.92)
D	1.250-18 UNEF	.995 (25.27)
E	1.563-18 UNEF	1.245 (31.62)
F	1.875-16 UN	1.495 (37.97)
G	2.375-16 UN	1.995 (50.67)
H	2.875-16 UN	2.495 (63.37)
J	.563-24 UNEF	.370 (9.40)
K	.813-20 UNEF	.620 (15.75)
L	3.375-16 UN	2.995 (76.07)

TABLE II

A THREAD CODE	A CLASS - 2A THREAD	D DIA ± .005 (.13)	H DIM ± .02 (.51)	P DIM MAX	CONDUIT SIZE
01	1.125-14 N	.500 (12.70)	1.250 (31.75)	1.625 (41.28)	A, B
03	1.280-14 N	.750 (19.05)	1.250 (31.75)	1.750 (44.45)	A-C
04	.750-14 NPSM	.750 (19.05)	1.250 (31.75)	1.500 (38.10)	A-C
06	1.000-11 1/2 NPSM	1.000 (25.40)	1.250 (31.75)	1.750 (44.45)	A-D
07	1.250-11 1/2 NPSM	1.000 (25.40)	1.250 (31.75)	2.000 (50.80)	A-D
09	1.250-11 1/2 NPSM	1.180 (29.97)	1.250 (31.75)	2.000 (50.80)	A-E
10	2.025-11 1/2 N	1.250 (31.75)	1.560 (39.62)	2.875 (73.03)	A-E
13	2.250-11 1/2 N	1.500 (38.10)	1.690 (42.93)	3.250 (82.55)	A-F
16	2.500-8 NPSM	2.000 (50.80)	2.000 (50.80)	3.500 (88.90)	A-G
19	3.000-8 NPSM	2.500 (63.50)	2.060 (25.32)	4.000 (101.60)	A-H
20	1.500-11 1/2 NPSM	1.500 (38.10)	1.250 (31.75)	2.500 (63.50)	A-D
21	2.000-11 1/2 NPSM	2.000 (50.80)	1.250 (31.75)	3.000 (76.20)	A-G