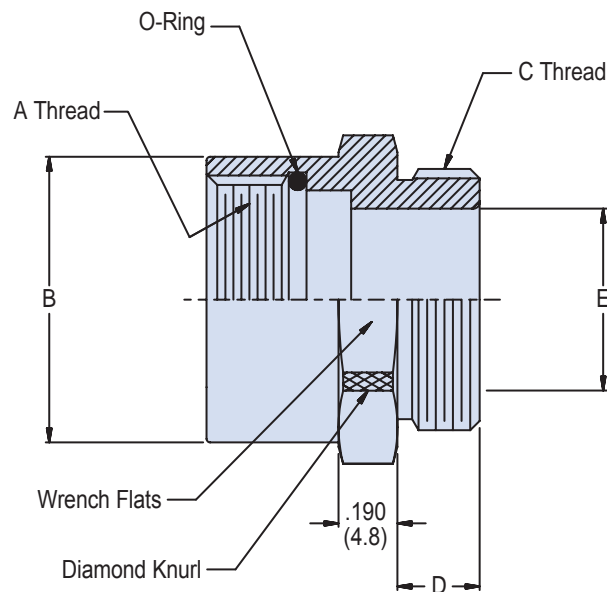
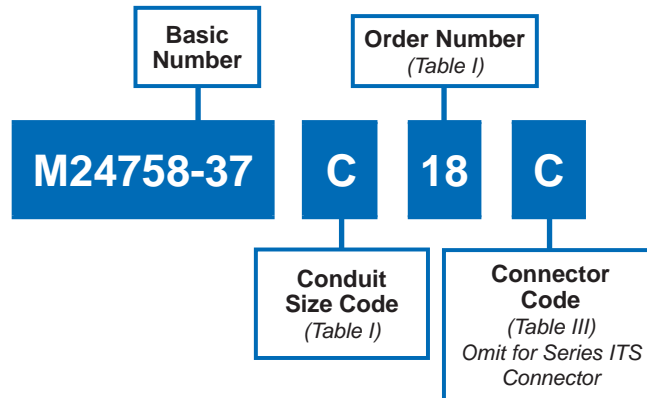


A



APPLICATION NOTES

1. Assembly identified with manufacturer's code identification number (Glenair, part number and classification code 490).
2. The M24758-37 adapter couples VG95234 connectors to M24758-2, M24758-3 or M24758-4 fittings.
3. See Glenair Circular Connector Accessories catalog for recommended torque values, Group 2.
4. Material / Finish:
Elbow, coupling nut - 316L SST/Electroless nickel, matte finish.
O-Ring - Silicone rubber/NA
5. Metric dimensions (mm) are indicated in parentheses.

MIL-PRF-24758-37
Adapter for VG94234 Reverse Bayonet Connector



MIL-PRF
24758A

A

TABLE I: CONDUIT SIZE CODE

CONDUIT SIZE CODE	C THREAD	D +.03 (0.8) -.00	E MIN DIA
A	.438-28 UNEF	.210 (5.3)	.245 (6.2)
B	.688-24 UNEF	.250 (6.4)	.495 (12.6)
C	.938-20 UNEF	.310 (7.9)	.745 (18.9)
D	1.250-18 UNEF	.370 (9.4)	.995 (25.3)
E	1.563-18 UNEF	.370 (9.4)	1.245 (31.6)
F	1.875-16 UN	.430 (10.9)	1.495 (38.0)
G	2.375-16 UN	.430 (10.9)	1.995 (50.7)
H	2.875-16 UN	.430 (10.9)	2.495 (63.4)
J	.563-24 UNEF	.250 (6.4)	.370 (9.4)
K	.813-20 UNEF	.310 (7.9)	.620 (15.7)
L	3.375-16 UN	.430 (10.9)	2.995 (76.1)

TABLE II: ORDER NUMBER

ORDER NO.	SHELL SIZE VG95234	CONNECTOR DESIGNATOR	A THREAD CLASS 2B	B MAX
10	10SL	—,A,C,D,E	5/8-24 UNEF	.795 (20.2)
11	10SL	B	9/16-24 UNEF	.831 (21.1)
12	12S	B	5/8-24 UNEF	.890 (22.6)
14	14S	—,A,B,C,D,E	3/4-20 UNEF	1.012 (25.7)
16	16S	—,A,B,C,D,E	7/8-20 UNEF	1.209 (30.7)
17	16	—,A,B,C,D,E	7/8-20 UNEF	1.209 (30.7)
18	18	—,A,B,C,D,E	1-20 UNEF	1.332 (33.8)
20	20	—,A,B,C,D,E	1 1/8-18 UNEF	1.457 (37.0)
22	22	—,A,B,C,D,E	1 1/4-18 UNEF	1.583 (40.2)
24	24	—,A,B,C,D,E	1 3/8-18 UNEF	1.771 (45.0)
28	28	—,A,B,C,D,E	1 5/8-18 UNEF	1.929 (49.0)
32	32	—,A,B,C,D,E	1 7/8-16 UNEF	2.217 (56.3)
36	36	—,A,C,D,E	2 1/16-16 UNS	2.345 (59.6)
37	36	B	2 1/8-16 UNS	2.449 (62.2)
39	40	B	2 3/8-16 UNS	2.724 (69.2)
40	40	—,A,C,D,E	2 5/16-16 UNS	2.590 (65.8)

TABLE III: CONNECTOR CODE AND FITTING DIMENSIONS

Connector Code	Manufacturer and Series Description
—	Glenair ITS Series, VG95234
A	Amphenol, GT Series, VG95234
B	ITT Cannon, VG95234
C	Litton Veam, CIR Series, VG95234
D	Space Craft, VG95234
E	JTech, JTCIR, VG95234
F	AB Connectors, VG95234
G	Van-System, VG95234
H	R3 Connector Systems, VG95234