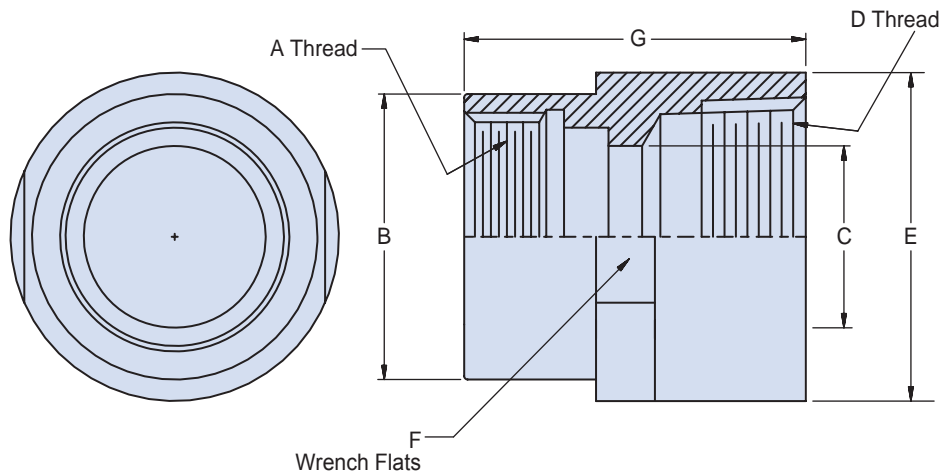
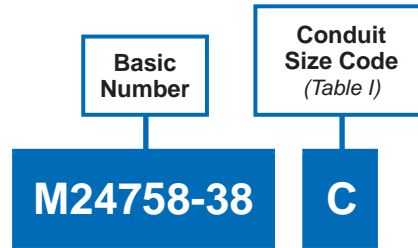


A



APPLICATION NOTES

1. Assembly identified with manufacturer's code identification number (Glenair, part number and classification code 490).
2. Material / Finish:
Adapter - 316L SST/Electroless nickel, matte finish.
3. Metric dimensions (mm) are indicated in parentheses.

MIL-PRF-24758-38
Straight MIL-S-24235 Stuffing Tube Adapter
to NPT Pipe Thread



MIL-PRF
24758A

A

TABLE I: CONDUIT SIZE CODE AND DIMENSIONS

CONDUIT SIZE CODE	A THREAD CLASS 2B	B DIA	C DIA	D INTERNAL TAPER PIPE THREAD	E DIA	F WRENCH FLATS	G LENGTH
A	.875 - 12 UN	1.000 (25.40)	.406 (10.31)	3/4-14 NPT	1.190 (30.23)	1.000 (25.40)	2.750 (69.85)
B	1.000 - 12 UN	1.130 (28.70)	.515 (13.08)	3/4-14 NPT	1.250 (31.75)	1.125 (28.58)	1.125 (28.58)
C	1.125 - 12 UN	1.250 (31.75)	.640 (16.26)	1.0-11 1/2 NPT	1.440 (36.58)	1.250 (31.75)	3.000 (76.20)
D	1.250 - 12 UN	1.380 (35.05)	.750 (19.05)	1.0-11 1/2 NPT	1.500 (38.10)	1.375 (34.93)	3.000 (76.20)
E	1.250 - 12 UN	1.380 (35.05)	.812 (20.62)	1.0-11 1/2 NPT	1.500 (38.10)	1.375 (34.93)	3.130 (79.50)
F	1.312 - 12 UN	1.440 (36.58)	.843 (21.41)	1.0-11 1/2 NPT	1.630 (41.40)	1.500 (38.10)	3.130 (79.50)
G	1.500 - 12 UN	1.630 (41.40)	.953 (24.21)	1 1/4-11 1/2 NPT	1.750 (43.18)	1.625 (41.28)	3.250 (82.55)