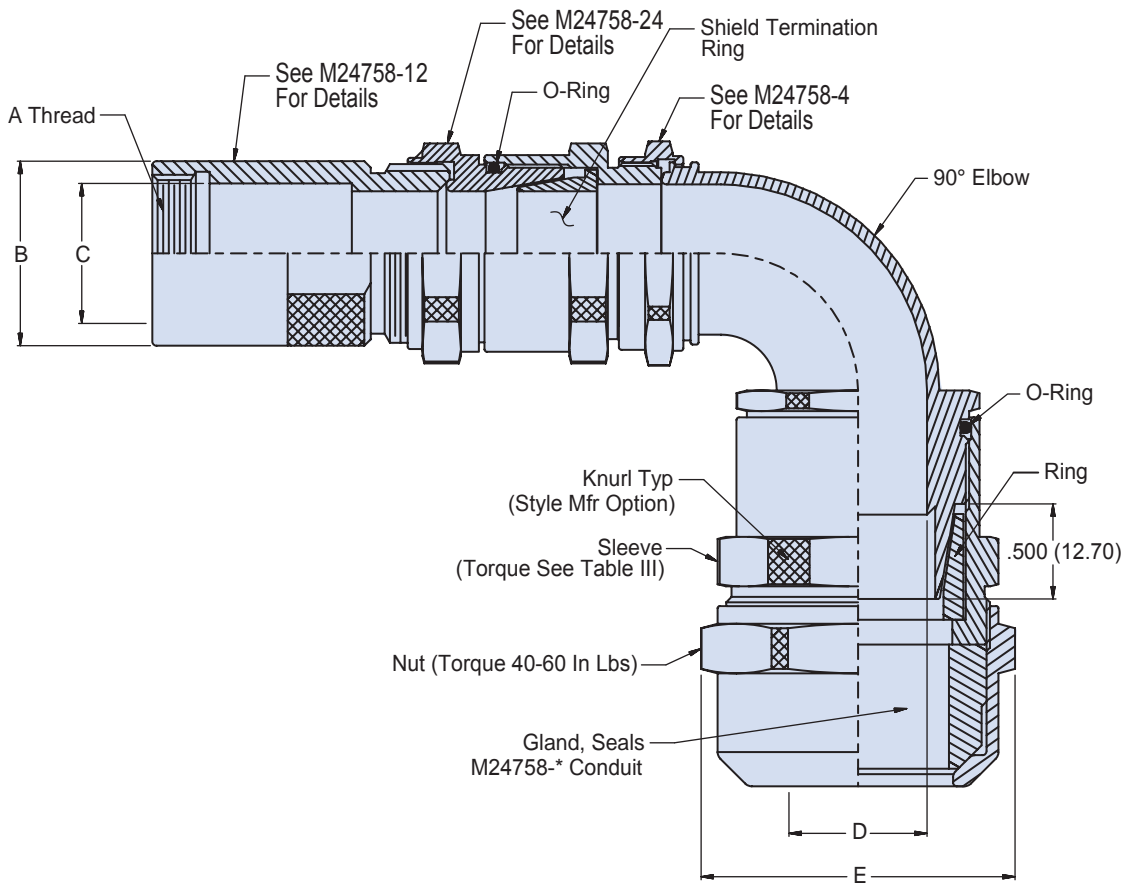
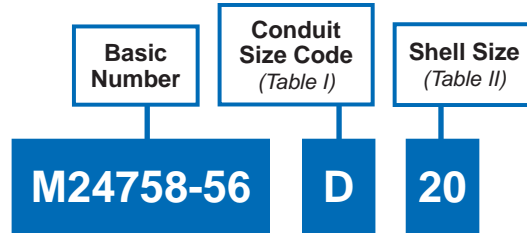


MIL-PRF-24758-56
90° Adapter for MIL-C-26482 Series I Connectors
EMI/RFI to Glenair MIL-PRF-25758-* Conduit

A



MIL-PRF-24758-56
90° Adapter for MIL-C-26482 Series I Connectors
EMI/RFI to Glenair MIL-PRF-25758-* Conduit



MIL-PRF
24758A

A

**TABLE I:
CONNECTOR SIZE CODE**

CONNECTOR SIZE CODE	D DIA MIN	E DIA MIN
A	.245 (6.22)	1.140 (28.96)
B	.495 (12.57)	1.340 (34.04)
C	.745 (18.92)	1.460 (37.08)
D	.995 (25.27)	1.650 (41.91)
E	1.245 (31.62)	1.780 (45.21)
F	1.495 (37.97)	2.030 (51.56)
G	1.995 (50.67)	2.280 (57.91)
H	2.495 (63.37)	2.530 (64.26)
J	.370 (9.40)	3.140 (79.76)
K	.620 (15.75)	3.650 (92.71)
L	2.995 (76.07)	4.150 (105.41)

TABLE II: CONDUIT SHELL SIZE

CONDUIT SHELL SIZE	A THREAD CLASS - 2B	B DIA ± .020 (0.51)	C DIA ± .020 (0.51)
08	3/4-20 UNEF	.590 (14.99)	.340 (8.64)
10	7/8-20 UNEF	.710 (18.03)	.450 (11.43)
12	1.000-20 UNEF	.840 (21.34)	.570 (14.48)
14	1 1/8-18 UNEF	.960 (24.38)	.680 (17.27)
16	1 1/4-18 UNEF	1.090 (27.69)	.810 (20.57)
18	1 3/8-18 UNEF	1.210 (30.73)	.930 (23.62)
20	1 5/8-18 UNEF	1.340 (34.04)	1.060 (26.92)
22	1 7/8-16 UN	1.460 (37.08)	1.180 (29.97)
24	2 1/16-16 UNS	1.590 (40.39)	1.310 (33.27)

**TABLE III:
Recommended Sleeve Torque**

CONDUIT SIZE CODE	± 5 INCH POUNDS
A	120
B	140
C	150
D	170
E	170
F	170
G	170
H	170
J	120
K	140
L	170

APPLICATION NOTES

- Assembly identified with manufacturer's name and part number and classification code 490, space permitting.
- The function of the M24758-56 fitting is to terminate M24758-* flexible shielding conduit and to provide individual M24758-24 shield termination on a standard thread for attaching to a M24758-12 fitting.
- Material / Finish:
Adapters, coupling nut, elbow, nuts, sleeves and rings - 316L SST/
Electroless nickel, matte finish.
O-Rings and gland - Silicone rubber/NA
- Metric dimensions (mm) are indicated in parentheses.