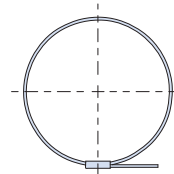
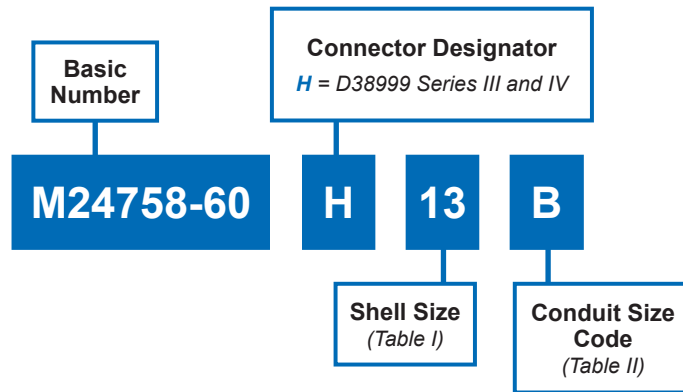
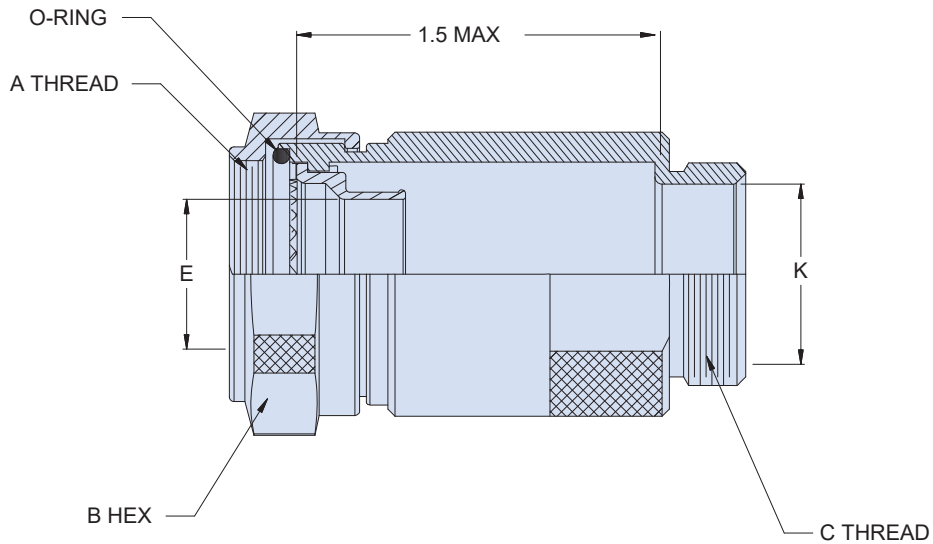


**A**



PRE-COILED MICRO BAND  
SUPPLIED WITH ASSEMBLY



**MIL-PRF-24758-60**  
**Adapter with EMI/RFI Shield Termination Drop-In**  
**for MIL-DTL-38999 Series III and Series IV Connectors**



MIL-PRF  
24758A

A

**TABLE I: Shell Size, Thread, and Dimensions**

SHELL SIZE	A THREAD	B HEX	E DIA REF
09	M12 X 1.0 - 6H	.687 (17.45)	.160 (4.06)
11	M15 X 1.0 - 6H	.812 (20.62)	.270 (6.86)
13	M18 X 1.0 - 6H	.937 (23.80)	.390 (9.91)
15	M22 X 1.0 - 6H	1.062 (26.97)	.512 (13.00)
17	M25 X 1.0 - 6H	1.250 (31.75)	.627 (15.93)
19	M28 X 1.0 - 6H	1.375 (34.92)	.747 (18.97)
21	M31 X 1.0 - 6H	1.500 (38.10)	.891 (22.63)
23	M34 X 1.0 - 6H	1.625 (41.28)	.996 (25.30)
25	M37 X 1.0 - 6H	1.750 (44.45)	1.121 (28.47)

**TABLE II: Conduit Size Code**

CONDUIT SIZE CODE	C CLASS - 2A THREAD	K DIA MIN
A	.438-28 UNEF	.245 (6.22)
B	.688-24 UNEF	.495 (12.57)
C	.938-20 UNEF	.745 (18.92)
D	1.250-18 UNEF	.995 (25.27)
E	1.563-18 UNEF	1.245 (31.62)
F	1.875-16 UN	1.495 (37.97)
G	2.375-16 UN	1.995 (50.67)
H	2.875-16 UN	2.495 (63.37)
J	.563-24 UNEF	.370 (9.40)
K	.813-20 UNEF	.620 (15.75)
L	3.375-16 UN	2.995 (76.07)

**APPLICATION NOTES**

1. Assembly identified with manufacturer's name and part number, space permitting.
2. The M24758-60 adapter couples MIL-DTL-38999 Series III and Series IV connectors to M24758-2, -3, and -4 series fittings.
3. See Glenair Circular Connector Accessories catalog for recommended torque values, group 2
4. Assembly supplied with Micro-Band for shield termination onto Drop-In-Follower
5. Material / Finish:  
 Adapter, coupling nut, drop-in-follower - 316L SST/  
 Electroless Nickel, matte finish  
 O-Ring - Silicone/N.A.  
 Band - SST/passivated
6. Metric dimensions (mm) are indicated in parentheses.