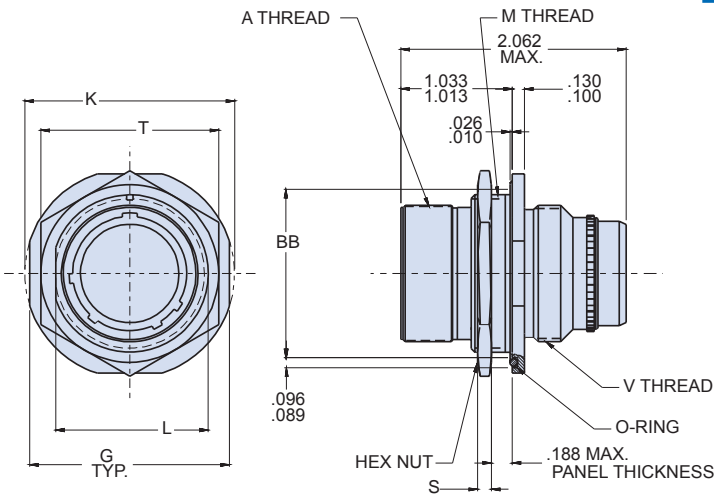


M28840/14 Jam Nut Mount Receptacle Connector



MIL-DTL
28840



Material and Finish
A - Class D: Aluminum, Cadmium Plate, O.D. over Electroless Nickel
B - Class DS: Corrosion Resistant Steel, Cadmium Plate, Black

Key Position
1, 2, 3, 4, 5 and 6

Insert Arrangement

M28840/14 **A** **G** **1** **P** **1**

Military Designator **Shell Size** **Contact Style**
P, S, F, G, D or E

B

Designator	BB	G	K	L Across Flat	M Thread Class 2A	N Max.	P	R Max.	S Hex Nut Thickness	T ±.017 (0.43)
A (11)	.979 (24.87) .969 (24.61)	1.274 (32.36) 1.254 (31.85)	1.368 (34.75) 1.348 (34.24)	.841 (21.36) .832 (21.13)	7/8-20 UNEF	.750 (19.05)	.890 (22.61) .880 (22.35)	.875 (22.22)	.125 (3.17)	1.062 (26.97)
B (13)	1.104 (28.04) 1.094 (27.79)	1.399 (35.53) 1.379 (35.03)	1.508 (38.30) 1.488 (37.80)	.966 (24.54) .957 (24.31)	1-20 UNEF	.875 (22.22)	1.015 (24.78) 1.005 (25.53)	1.000 (25.40)		1.188 (30.18)
C (15)	1.292 (32.82) 1.282 (32.56)	1.587 (40.31) 1.567 (39.80)	1.681 (42.70) 1.661 (42.19)	1.156 (29.29) 1.144 (29.06)	1 3/16-18 UNEF	1.062 (26.97)	1.203 (30.56) 1.193 (30.30)	1.188 (30.18)		1.375 (34.93)
D (17)	1.354 (34.39) 1.344 (34.14)	1.649 (41.88) 1.629 (41.38)	1.743 (44.27) 1.723 (43.76)	1.216 (30.89) 1.207 (30.66)	1 1/4-18 UNEF	1.125 (28.58)	1.265 (32.13) 1.255 (31.88)	1.250 (31.75)		1.438 (36.53)
E (19)	1.542 (39.17) 1.532 (38.91)	1.837 (46.66) 1.817 (46.15)	1.931 (49.05) 1.911 (48.54)	1.403 (35.64) 1.394 (35.41)	1 7/16-18 UNEF	1.312 (33.32)	1.453 (36.91) 1.443 (36.65)	1.438 (36.52)		1.625 (41.28)
F (23)	1.729 (43.92) 1.718 (43.66)	2.024 (51.41) 2.004 (50.90)	2.118 (53.80) 2.098 (53.29)	1.591 (40.41) 1.582 (40.18)	1 5/8-18 UNEF	1.500 (38.10)	1.640 (41.66) 1.630 (41.40)	1.625 (41.28)		1.812 (46.02)
G (25)	1.854 (47.09) 1.844 (46.84)	2.149 (54.58) 2.129 (54.08)	2.243 (56.97) 2.223 (56.46)	1.716 (43.59) 1.707 (43.36)	1 3/4-18 UNS	1.625 (41.28)	1.765 (44.83) 1.755 (44.58)	1.750 (44.45)		.189 (4.8)
H (29)	2.042 (51.87) 2.032 (51.61)	2.337 (59.36) 2.317 (58.85)	2.435 (61.85) 2.415 (61.34)	1.903 (46.34) 1.894 (48.11)	1 15/16-16 UN	1.812 (46.02)	1.953 (49.61) 1.943 (49.35)	1.938 (49.22)	2.188 (55.58)	
J (33)	2.229 (56.62)	2.524 (64.11)	2.618 (66.50)	2.091 (53.11)	2 1/8-16 UN	2.000	2.140 (54.36)	2.125	2.375	
	2.219 (56.36)	2.504 (63.60)	2.598 (65.99)	2.082 (52.88)		(50.80)	2.130 (54.10)	(53.98)	(69.85)	