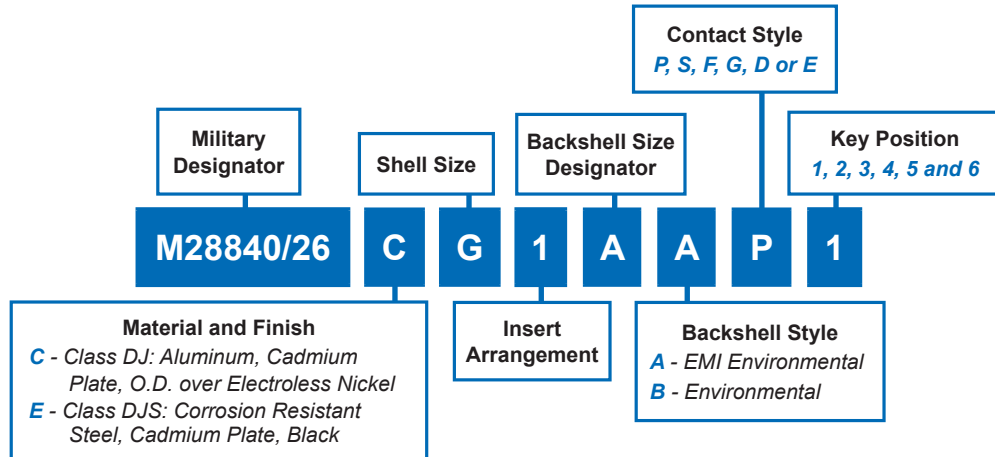


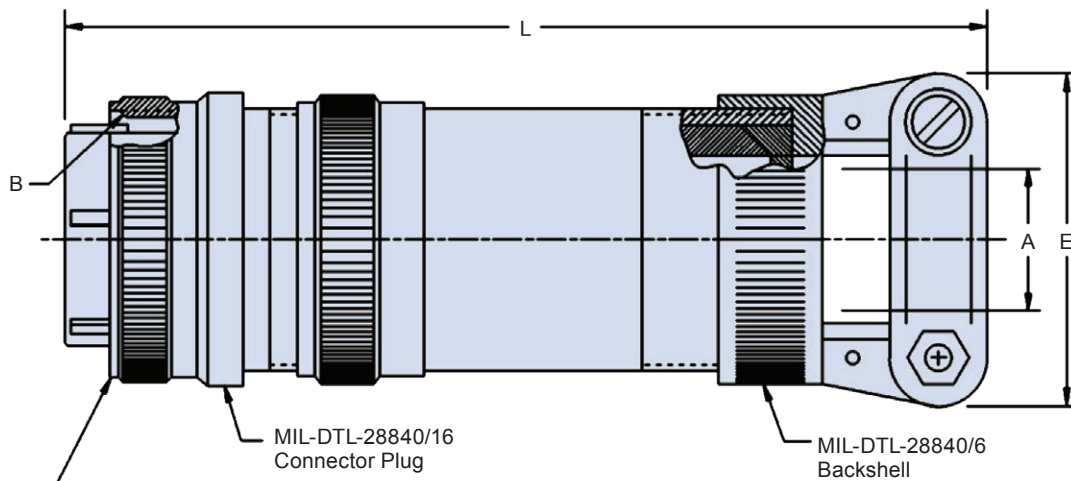
M28840/26 Plug Connector with Straight EMI/RFI Backshell



MIL-DTL
28840



B



For Details of Connector Front and Rear End Configurations See Respective Slash Sheets

M28840/26 Plug Connector with Straight EMI/RFI Backshell

Military Shell Size	Shell Size	B Thread Class 2B	Backshell Size Designator	A Cable Entry		E Max.	L Max.
				Open	Closed		
A	11	.750-1P-.2L-DS	A	.312	.188	.938	6.500
			B	.438	.281	1.125	
			C	.562	.344	1.312	
B	13	.875-1P-.2L-DS	A	.312	.188	.938	
			B	.438	.281	1.125	
			C	.562	.344	1.312	
C	15	1.062-1P-.2L-DS	D	.652	.375	1.312	7.000
			A	.438	.281	1.125	6.500
			B	.562	.344	1.312	
			C	.625	.375	1.312	
D	17	1.125-1P-.2L-DS	D	.750	.438	1.593	
			A	.625	.375	1.312	
			B	.750	.438	1.593	
E	19	1.312-1P-.2L-DS	C	.938	.625	1.750	
			A	.625	.375	1.312	7.500
			B	.938	.625	1.750	7.625
F	23	1.500-1P-.2L-DS	A	.750	.438	1.593	7.812
			B	.938	.625	1.750	7.625
			C	1.188	.812	2.093	8.312
G	25	1.625-1P-.2L-DS	A	.938	.625	1.750	
			B	1.188	.812	2.093	
			C	1.250	.875	2.093	
H	29	1.812-1P-.2L-DS	D	1.380	1.000	2.343	
			A	1.188	.812	2.093	
J	33	2.000-1P-.2L-DS	B	1.380	1.000	2.343	
			A	1.380	1.000	2.343	8.625
			B	1.625	1.250	2.750	