



140-060XMS-03
(NSN: 5975-01-557-2679)
Grounded Composite Junction Box
15 Ft. Submersion

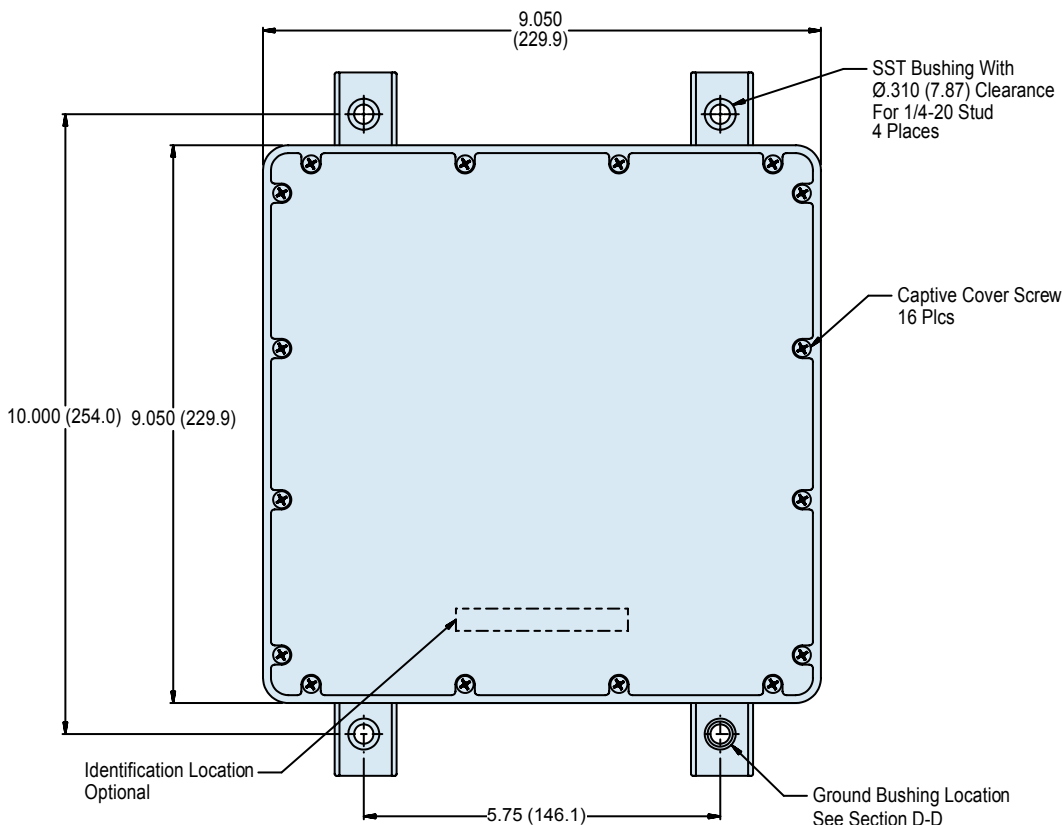
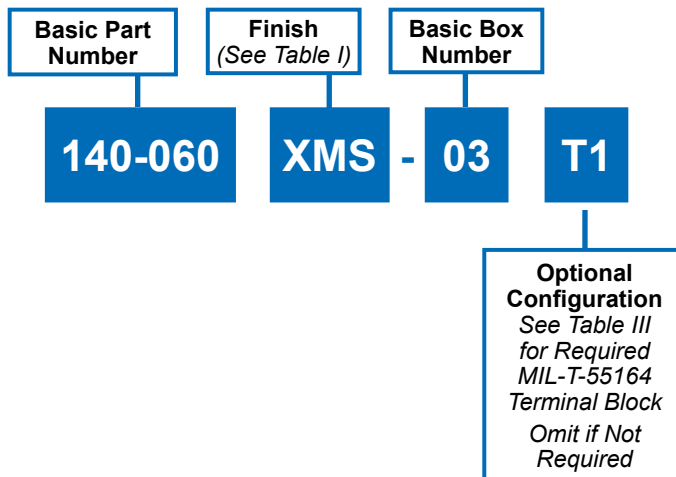


FIGURE 1 TOP VIEW

E

140-060XMS-03
(NSN: 5975-01-557-2679)
Grounded Composite Junction Box
15 Ft. Submersion

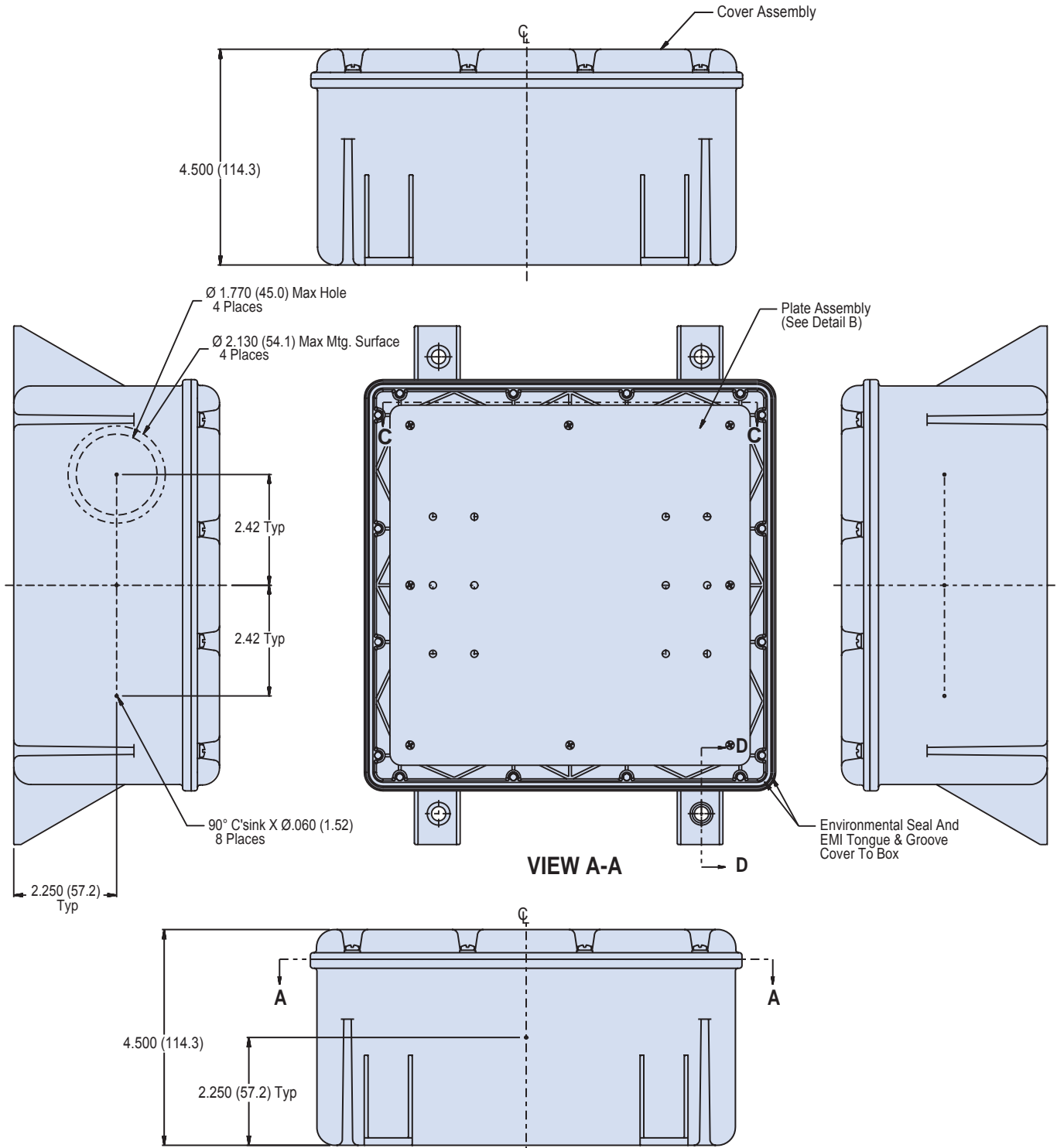
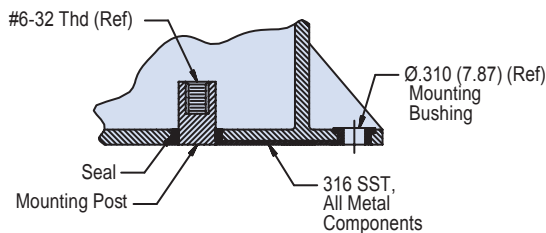
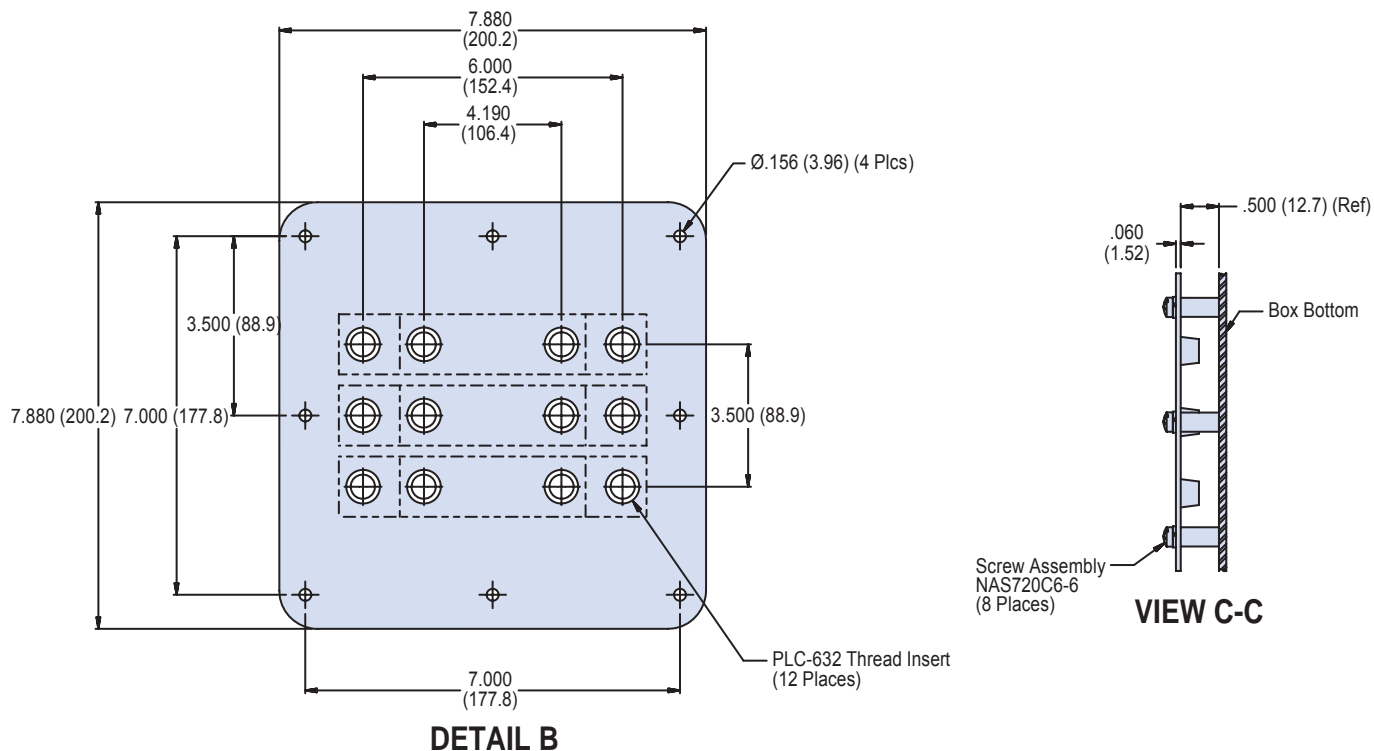


FIGURE 2




SECTION D-D

Electrical Ground Through Internal
Mounting Post To External Mounting Bushing

APPLICATION NOTES

1. Assembly identified with manufacturer's code identification number (Glenair, part number and date code).
2. Color may be subject to fading, however UV exposure will not affect material physical properties.
3. Assembly is similar to symbol part numbers and require installation in accordance with NAVSEA drawing 803-6983506.
4. Material / Finish:
Box, cover - Thermoplastic grey color/see Table I.
Hardware - 316 SST/passivate.
Seals and gaskets - Silicone/N.A.
Mounting Plate - 300 series SST/passivate.
5. Metric dimensions (mm) are indicated in parentheses.

140-060XMS-03
(NSN: 5975-01-557-2679)
Grounded Composite Junction Box
15 Ft. Submersion



TABLE I: Finish

Symbol	Description
XMS	Internal Surfaces - Electroless Nickel Exterior Surfaces - Unplated Light Grey Color
XO	No Plating

TABLE II: Replacement Parts

Item	Part Number	Description	Material
1	140-065XMS-15	Cover Assembly	Grey Thermoplastic
2	687-499-2	Cover Screw Assembly	316 SST/Passivate
3	687-305Z131	Mounting Plate Assembly	300 SST/Passivate

TABLE III: MIL-T-55164 Terminal Block

Part Number	National Stock Number
140-060XMS-03	5935-01-557-2679
140-060XMS-03T1	5940-01-556-9489
140-060XMS-03T2	5940-01-557-2564
140-060XMS-03T5	5940-01-5576-2578
140-060XMS-03T9	5940-01-557-2582
140-060XMS-03T10	5940-01-556-9494
140-060XMS-03T11	5940-01-557-2563
140-060XMS-03T12	5940-01-556-9499

TABLE IV: Mounting Plate Assembly

Dash No.	6.000" Mntg Holes	4.190" Mntg Holes	MIL-T-55164 A-A-59125	Number of Terminals	Max No of Wires	Recm'd Max Wire Size	Recm'd Lug MS17143	Qty Blocks per Assembly	Symbol Number	Military Specification
03T1	4TB20	-	/10	20	80	#12 AWG	-3	1	432.1	MIL-T-24558/4
03T2	6TB06F/24	-	/12	30	90	#14 AWG	-5	2	434	MIL-T-24558/5
03T3	10TB28	-	/16	56	168	#14 AWG	-	2	-	-
03T4	15TB24	-	/19	48	144	#14 AWG	-8	2	-	-
03T5	16TB10	-	/20	10	20	#12 AWG	-3	1	529	MIL-T-24588/20
03T6	17TB10	-	/21	10W/STUD 20 W/O	80	#12 AWG	-3	2	-	-
03T7	-	25TB12	/23	36	72	#14 AWG	-17	3	-	-
03T8	-	26TB12	/24	24W/STUD 48 W/O	96	#16 AWG	-20	2	-	-
03T9	4TB20	-	/10	40	160	#12 AWG	-3	2	433.1	MIL-T-24588/6
03T10	6TB24	-	/12	48	144	#14 AWG	-5	2	522.1	MIL-T-24588/7
03T11	4TB20T	-	/10	60	240	#12 AWG	-3	3	446	MIL-T-24588/8
03T12	6TB24	-	/12	72	216	#14 AWG	-5	3	525	MIL-T-24588/9