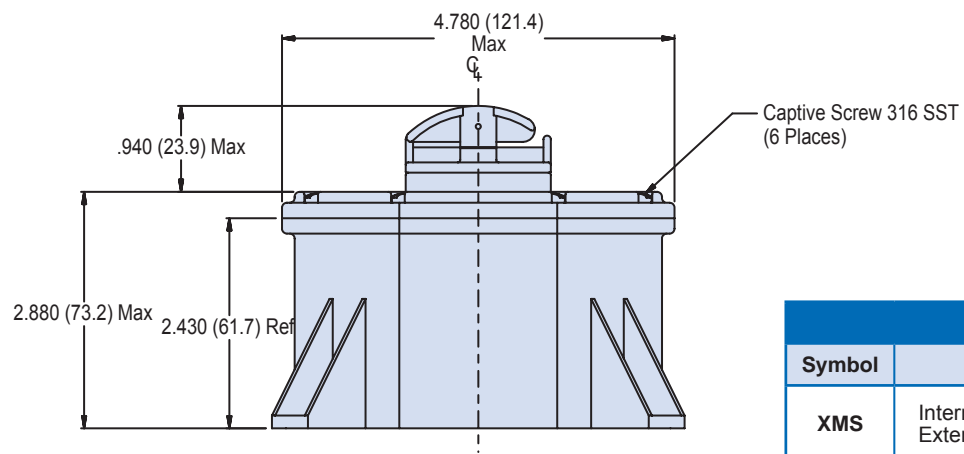
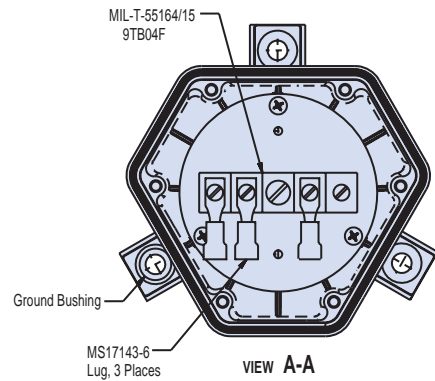
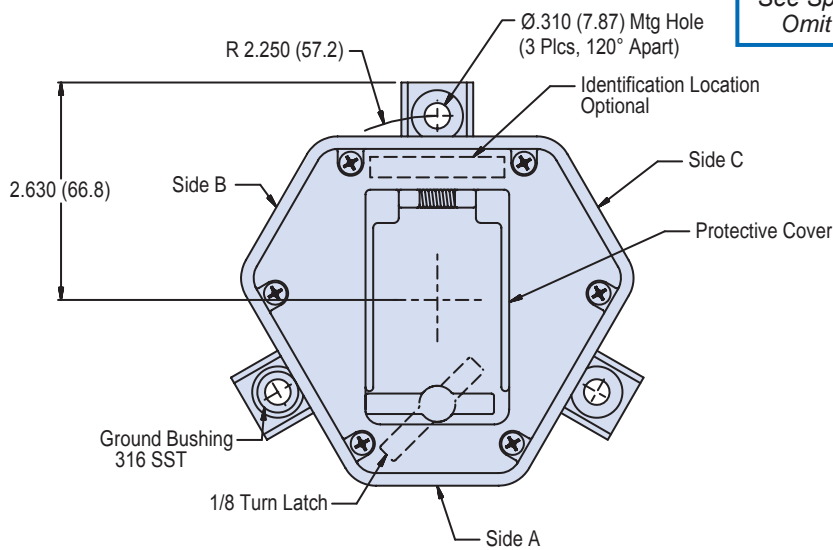


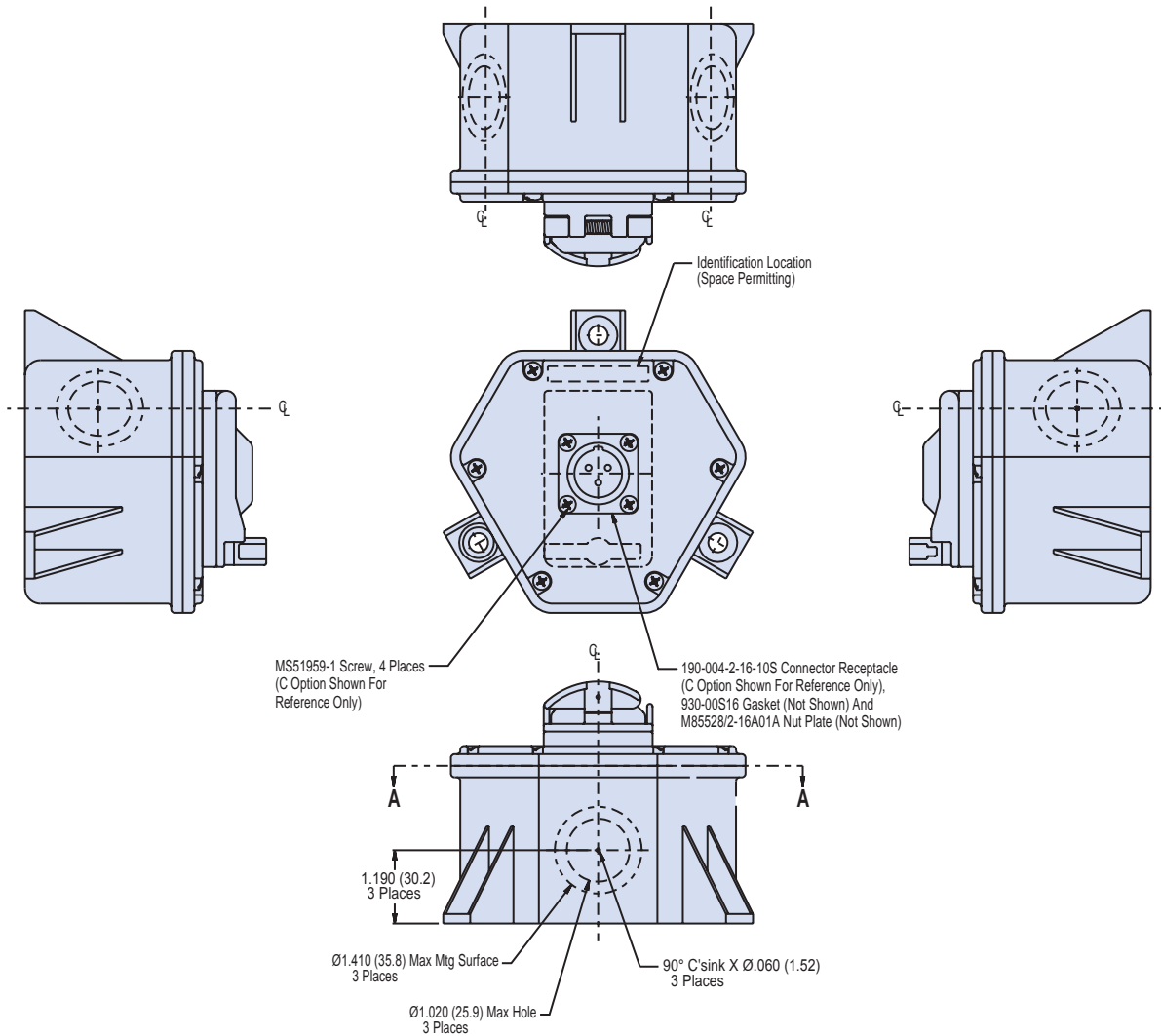
C Option Supplied with Connector Assembly
 See Specific Eng. Dwg.
 Omit if Not Required



E

| TABLE I: Finish | |
|-----------------|---|
| Symbol | Description |
| XMS | Internal Surfaces - Electroless Nickel Exterior Surfaces - Unplated Light Grey Color |
| XO | No Plating |

147-033XMS-0003
(NSN: 5940-01-557-2725)
EMI/Environmental Composite Electrical Box
for MS3402 Receptacle Connector • Grounded



APPLICATION NOTES

1. Assembly identified with manufacturer's code identification number (Glenair, part number and date code).
2. Material / Finish:
 Box, cover - Thermoplastic grey color/see Table I.
 Hardware - 316 SST/passivate.
 Seals and gaskets - Silicone/N.A.
 Mounting Plate - 300 series SST/passivate.
3. Glenair recommended mating connector plug and backshell: 190-004-6-16-10P.
4. Metric dimensions (mm) are indicated in parentheses.