

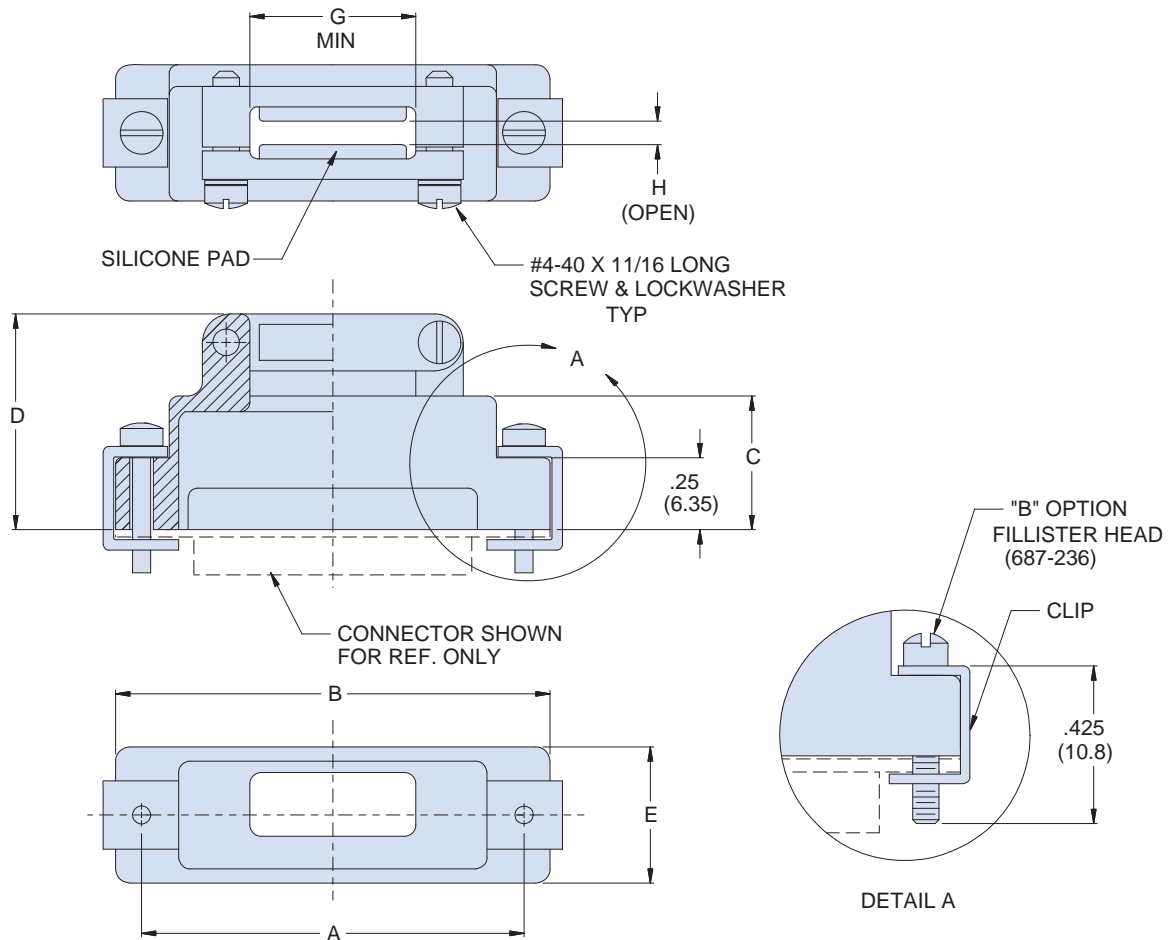
# Low-Profile Strain Relief Backshell



Solid shell, top cable entry · 557-467



How To Order				
Sample Part Number	557T467	Z2	-3	H
Series	557T467 = Top entry			
Finish Symbol	M = Electroless Nickel Z2 = Gold Plate			
Shell Size	1, 2, 3, 4, 5, 6 (Table I)			
Jackscrew Type	A, B, C, E, H, L, EL, ELS, EMS, HSL, HSM (see diagrams) T = 4-40 mating hole, no jackscrews			

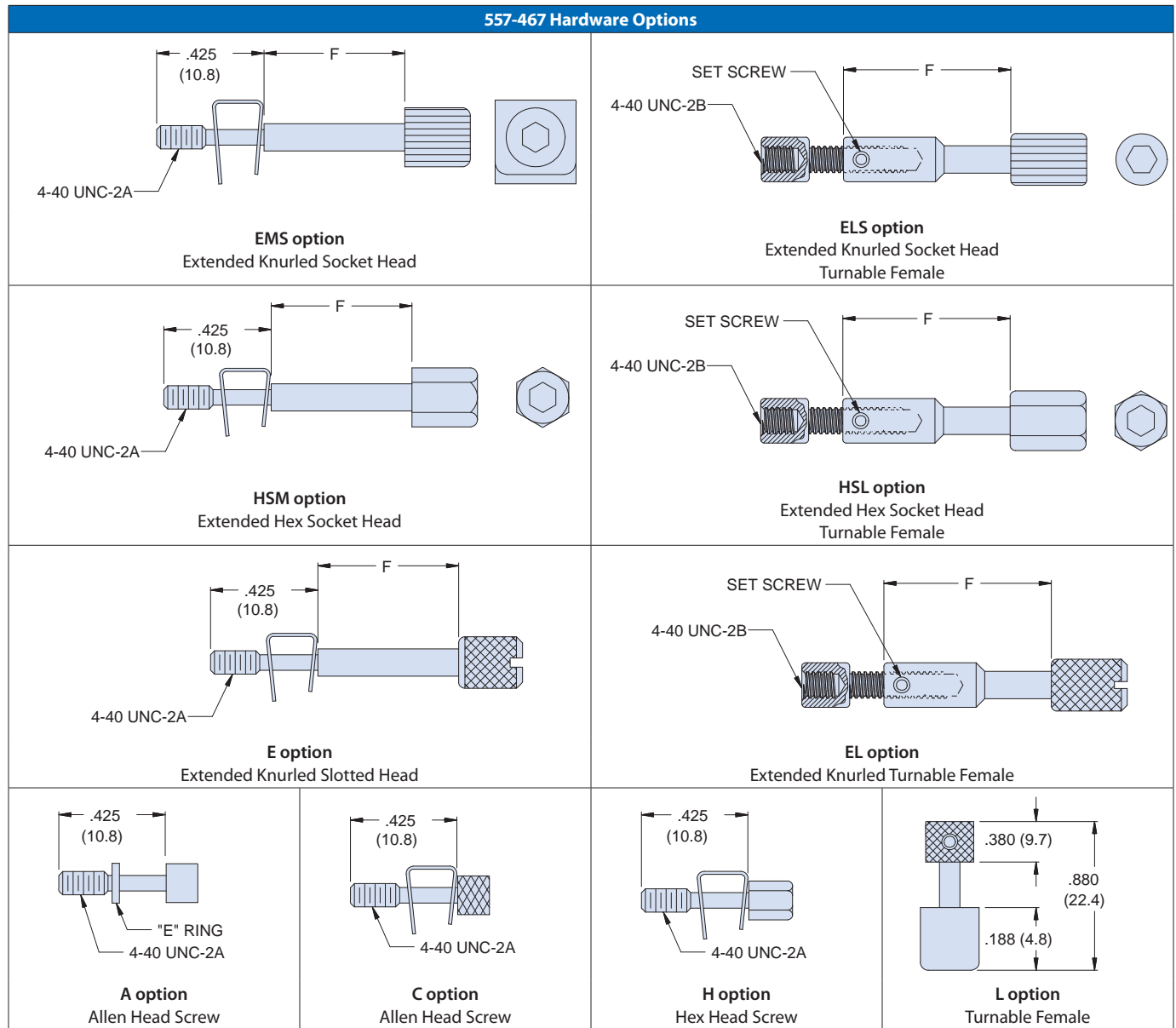


## MATERIALS

Backshell: Aluminum alloy  
 Hardware: CRES / passivated  
 Wire guide pad: Silicone

# Low-Profile Strain Relief Backshell

Solid shell, top cable entry · 557-467



D-SUBMINIATURE

Shell Size	A	B	C	D	E	F Min	Cable Entry	
							G	H
1	.984 (24.99)	1.25 (31.75)	.75 (19.05)	1.06 (26.92)	.53 (13.46)	.50 (12.70)	.350 (8.89)	.188 (4.78)
2	1.312 (33.32)	1.58 (40.13)	.75 (19.05)	1.06 (26.92)	.53 (13.46)	.50 (12.70)	.562 (14.27)	.188 (4.78)
3	1.852 (47.04)	2.10 (53.34)	.75 (19.05)	1.06 (26.92)	.53 (13.46)	.50 (12.70)	1.000 (25.40)	.188 (4.78)
4	2.500 (63.50)	2.75 (69.85)	1.00 (25.40)	1.31 (33.27)	.53 (13.46)	.68 (17.27)	1.625 (41.28)	.188 (4.78)
5	2.406 (61.11)	2.68 (68.07)	1.00 (25.40)	1.31 (33.27)	.66 (16.76)	.68 (17.27)	1.500 (38.10)	.250 (6.35)
6	2.500 (63.50)	2.74 (69.60)	1.00 (25.40)	1.31 (33.27)	.71 (18.03)	.68 (17.27)	1.625 (41.28)	.250 (6.35)