

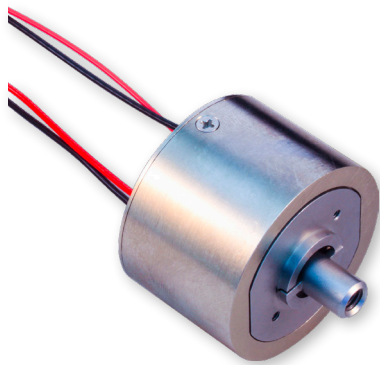
061-006

Medium-duty hold-down release mechanism

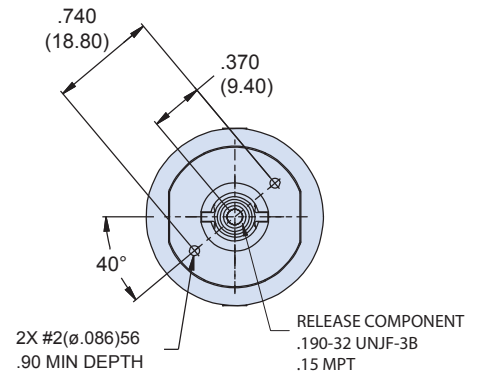
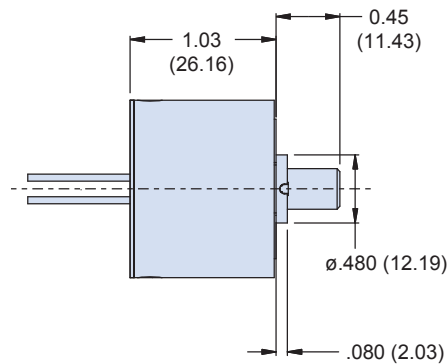
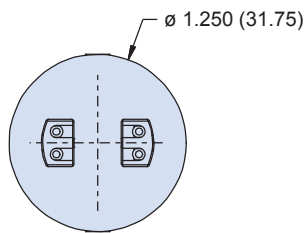
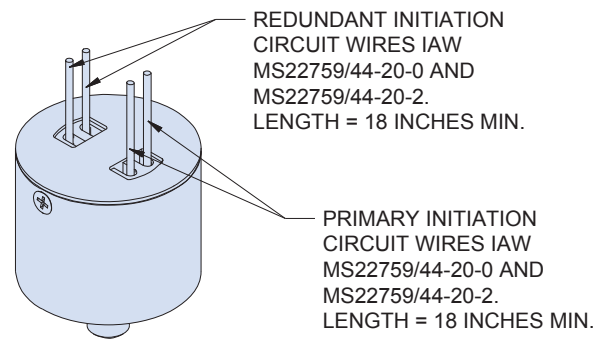
1000 lb. release preload
Electrically redundant



ELECTRICALLY REDUNDANT HOLD DOWN RELEASE MECHANISM, MEDIUM DUTY



How To Order		
Sample Part No.	061	-006
Basic Part No.	Light/Medium Duty HDRM	
Dash No.	Redundant Circuit	



NOTES

- Unit is identified with Glenair name, CAGE code, part number, and date code, space permitting. Primary initiation circuit identified with "P" and redundant with "R".
- Release preload 1000 lbs. (4.5 kN) on similar model, contact factory
- Qualification complete
- Reference Glenair P/N 060-106 for refurbishment initiator
- Metric threads available, consult factory for options

Physical characteristics	
Mass	65.3 grams approximate weight
Release component thread	0.190-32 UNJF-3B*
Material list	IAW MSFC-STD-3029
Epoxy	Outgassing requirements per GSC19384
Device features	
Redundant initiation	2 initiation points
Field refurbishable	Initiator can be replaced in less than 15 minutes by trained personnel
Reliability prediction	0.9999994 (based off scaled design)
Packaging	External housing typically supplied with two mounting points. Custom housings and mountings available
Connectorization	Standard design supplied with wire inputs. Connectorized versions available
Scalable bolt size	Bolt size determines preload and can be scaled to accommodate a wide range of requirements
*Size callout based on the bolt size to be used. Metric thread also available. Consult factory for qualification test report.	

A

061-006

Medium-duty hold-down release mechanism



1000 lb. release preload

Actuation curve

A

Actuation Curve for 061-006 Mechanism
(nominal conditions)

