

061-011

Light-duty pin pushers and pullers

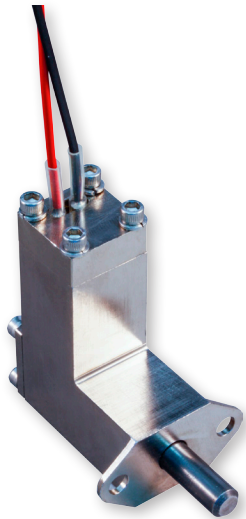
18 lb. pull force

Non-redundant circuit

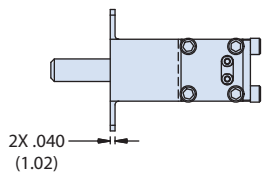


A

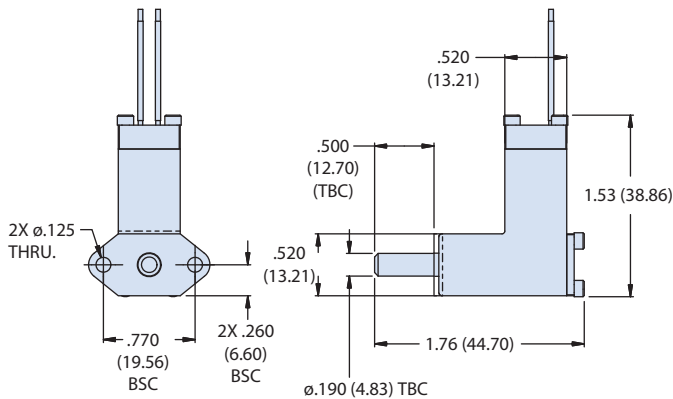
NON-REDUNDANT CIRCUIT PIN PULLER MECHANISM, LIGHT DUTY



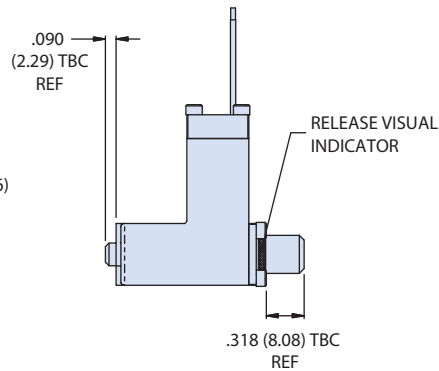
How To Order		
Sample Part No.	061	-011
Basic Part No.	Light-Duty Pin Puller	
Dash No.	Non-Redundant Circuit	



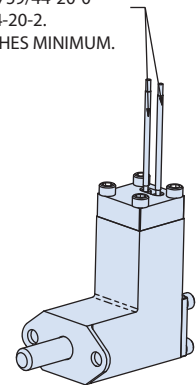
INITIATION CIRCUIT WIRES IAW MS22759/44-20-0 AND MS22759/44-20-2. LENGTH = 18 INCHES MINIMUM.



RESTRAINED



RELEASED



ISOMETRIC VIEW

NOTES

1. Unit is identified with Glenair name, CAGE code, part number, and date code, space permitting.
2. Release preload: 18 lbs. (80.1 N) (TBC)
3. Full qualification pending
4. Reference Glenair P/N 060-112 for refurbishment initiator

Physical characteristics	
Mass	34.8 grams approximate weight
Material list	IAW MSFC-STD-3029
Device features	
Field refurbishable	Initiator can be replaced in less than 15 minutes by trained personnel
Packaging	External housing typically supplied with two mounting points. Custom housings and mountings available
Connectorization	Standard design supplied with wire inputs. Connectorized versions available
*Size callout based on the bolt size to be used. Metric thread also available. Consult factory for qualification test report.	