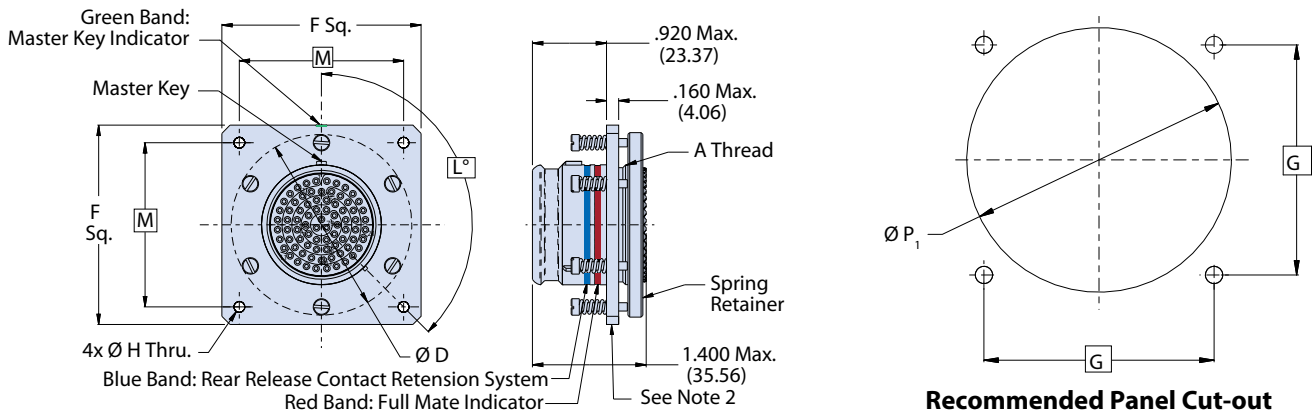


Part Number Development														
Sample Part Number	253-016						00	ME	21-35	S	N	MS	A	
Series / Basic Part No.	253 = Blind-mate connector with adjustable assisted separation force -016 = Plug (fixed mount) -017 = Receptacle (float mount)													
Connector Style	00 = Wall mount													
Material/Finish	ME = Aluminum, electroless nickel MT = Aluminum, nickel PTFE			ZL = CRES, electrodeposited nickel Z1 = CRES, passivated										
Shell Size-Insert Arrangement	Per MIL-STD-1560													
Contact Type	P = Pin, crimp removable S = Socket, crimp removable													
Alternate Polarization	A = 40°, B = 65°, C = 80°, D = 210°, E = 250°, F = 280°, G = 310°, H = 330°, N = 135° (Normal) Per L°													
Contact Type	MS = Military specification													
Adjustment Ring Material	(253-017 receptacle only) A = Aluminum C = Corrosion-resistant steel													

\*Refer to section A for complete details. Refer to Space-Grade Guidelines material (IAW NASA EEE INST-002) for outgassing and screening modification codes, on pages 60 and 61. Modification codes may be added directly to the end of any valid part number

**253-016 FIXED WALL MOUNT PLUG WITH SPRING ASSIST (ZERO SEPARATION FORCE)**



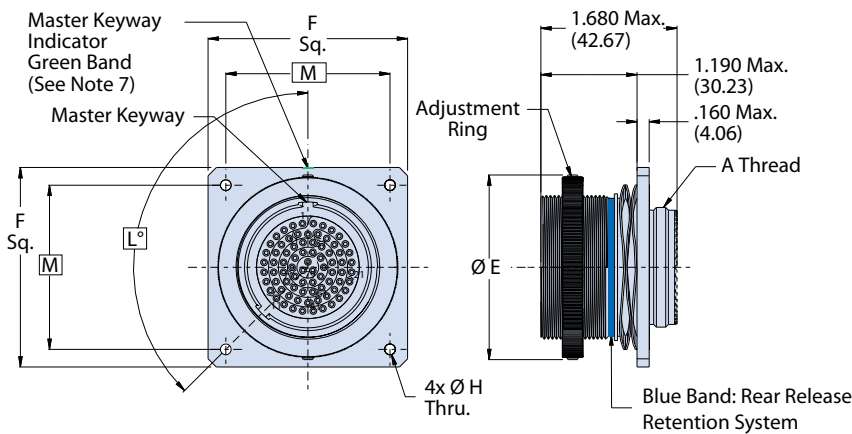
Dimensions for 253-016 and 253-017									
Shell Size	F Flange ±.010 (±.25)	M Square	Ø H ±.005 (±.13)	Ø D Max.	Ø E Max.	A Thread	Ø P <sub>1</sub> ±.005 (±.13)	Ø P <sub>2</sub> ±.005 (±.13)	G Square
9	1.430(36.32)	1.000(25.40)	.128(3.25)	1.250(31.75)	1.300 (33.02)	M12 X 1.0-6g-0.100R	1.300(33.02)	1.330 (33.78)	1.150 (29.21)
11	1.555(39.50)	1.200(30.48)	.128(3.25)	1.375(34.93)	1.425 (36.20)	M15 X 1.0-6g-0.100R	1.425(36.20)	1.455 (36.96)	1.200 (30.48)
13	1.680(42.67)	1.250(31.75)	.128(3.25)	1.500(38.10)	1.550 (39.37)	M18 X 1.0-6g-0.100R	1.550(39.37)	1.580 (40.13)	1.250 (31.75)
15	1.805(45.85)	1.375(34.93)	.128(3.25)	1.625(41.28)	1.675 (42.55)	M22 X 1.0-6g-0.100R	1.675(42.55)	1.705 (43.31)	1.375 (34.92)
17	1.930(49.02)	1.500(38.10)	.128(3.25)	1.750(44.45)	1.800 (45.72)	M25 X 1.0-6g-0.100R	1.800(45.72)	1.830 (46.48)	1.500 (38.10)
19	2.055(52.20)	1.625(41.28)	.128(3.25)	1.875(47.63)	1.925 (48.90)	M28 X 1.0-6g-0.100R	1.925(48.90)	1.955 (49.66)	1.625 (41.28)
21	2.180(55.37)	1.750(44.45)	.128(3.25)	2.000(50.80)	2.050 (52.07)	M31 X 1.0-6g-0.100R	2.050(52.07)	2.080 (52.83)	1.750 (44.45)
23	2.305(58.55)	1.875(47.63)	.154(3.91)	2.125(53.98)	2.175 (55.25)	M34 X 1.0-6g-0.100R	2.175(55.25)	2.205 (56.01)	1.875 (47.63)
25	2.430(61.72)	2.000(50.80)	.150(3.81)	2.250(57.15)	2.300 (58.42)	M37 X 1.0-6g-0.100R	2.300(58.42)	2.330 (59.18)	2.000 (50.80)

# Space-grade, blind-mate connectors

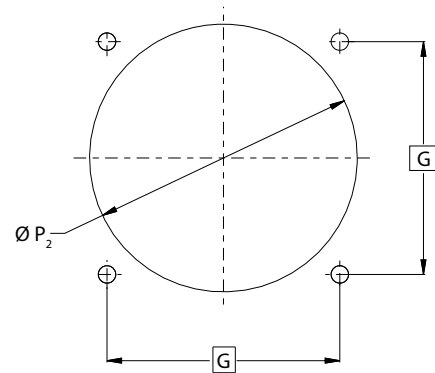
## Wall mount assisted separation force (ZEF)

### plug and receptacle pair with misalignment accommodation

#### 253-017 FLOATING WALL MOUNT RECEPTACLE WITH ADJUSTABLE SEPARATION FORCE AND MISALIGNMENT ACCOMMODATION



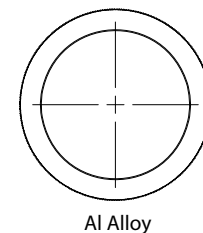
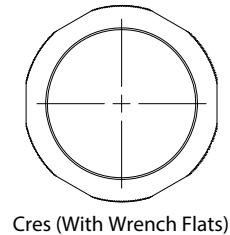
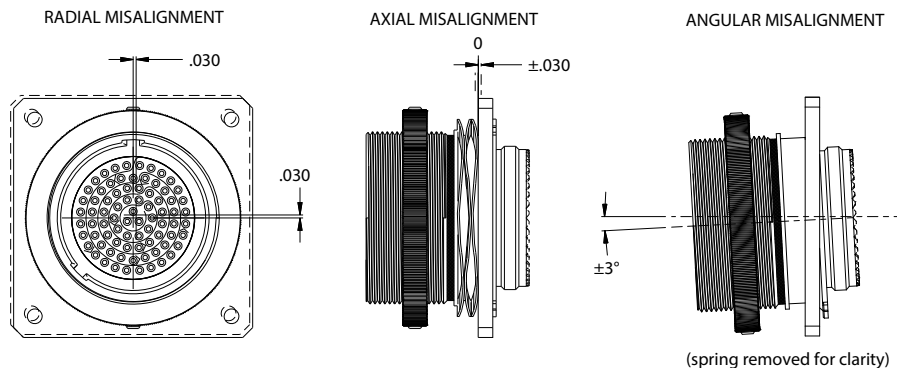
#### Recommended Panel Cut Out



#### 253-017 Misalignment Capabilities

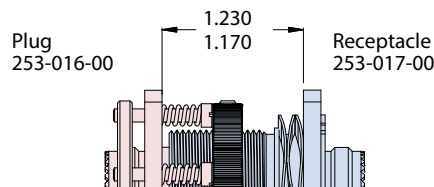
#### Adjustment Ring Geometry and Material Options

Contact manufacturer for other options



#### Distance between mated flanges.

For reference only (not deliverable)



#### NOTES:

- 253-017 mates with 253-016 fixed series.
- Distance between mated mounting flanges: 1.170/1.230. Consult manufacturer other distance between mounting flanges is required
- Separation force is adjustable  $\pm 5$  lbs when mated with 253-016 and 253-017 pairs have adjustable separation force of  $\pm 5$  lbs
- See Space-Grade guidelines material, in this section, for outgassing/screening options available
- Spares: pin or socket contacts IAW AS39029 or per Glenair part number if controlled force contacts
- Contact factory for PC tail versions
- Material/finish
  - Shell (016 and 017), ring (017), retainer ring (016): see P/N development, finish
  - Wave spring(017), springs and spring retainer (016): CRES/ passivated
  - Insulators: high grade rigid dielectric/N.A.
  - Seals: fluorosilicone blend/N.A.