

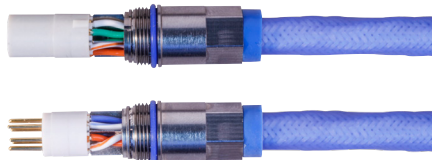


NEXT-GENERATION

SpeedMaster™

Pre-wired 10G high-speed contacts

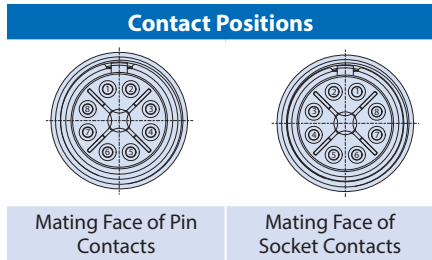
858-102 10GBase-T Cat 6A Contacts



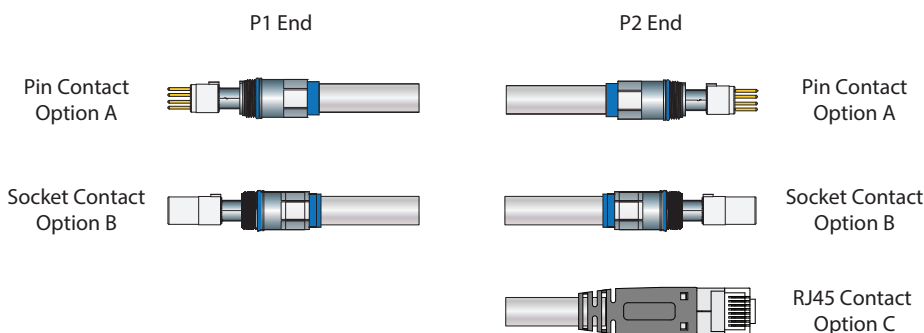
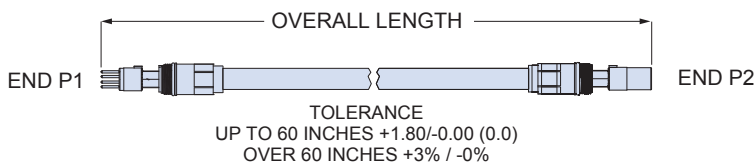
Pre-wired SpeedMaster assemblies are 100% tested and ready for use. Compatible with Glenair Series 80 Mighty Mouse, Series 28 HiPer-D or Series 23 SuperNine connectors with keyed size #8 cavities, these assemblies are available with three termination options: single-ended, SpeedMaster contacts on both ends, or with an RJ45 plug on one end. Contacts are wired per the guidelines of ARINC 664 Part 2 Appendix N.

Technical Data	
Specifications	
<ul style="list-style-type: none"> Operating temperature: -65°C. to +200°C. (SpeedMaster) or -40°C. to +85°C (RJ45); cable dependent Meets EIA/TIA 568C.2-10 and IEC 60603-7-51 Cat 6A 500 MHz Characteristic Impedance: 100 ohms Insulation resistance: 200 megohms min. Durability: 500 mating cycles 	
SpeedMaster Construction	
<ul style="list-style-type: none"> Isolator body: copper alloy/electroless nickel Contacts: copper alloy, gold plated Retention ferrule and shield ferrule: copper alloy/electroless nickel Insulator: rigid plastic/N.A. O-rings/grommets: fluorosilicone blend/N.A. 	
RJ45 Construction	
<ul style="list-style-type: none"> Body: UL 94-V0 polycarbonate Grommet: UL 94-V0 polycarbonate Contacts: copper alloy, 50 microinches selective gold plating Shield: nickel-plated copper alloy 	
Connector Compatibility	
<ul style="list-style-type: none"> Glenair 824-009 and -010 Mighty Mouse Glenair 280-098 thru -103 HiPer-D Glenair 233-219 SuperNine 	

Part Number Development					
Sample Part Number	858-102	-A	C	-1	-12
Product	858-102				
End A Contact Type	-A = 858-101 SpeedMaster pin -B = 858-101 SpeedMaster socket				
End B Contact/Connector	A = SpeedMaster pin B = SpeedMaster socket C = RJ45 plug N = No connector				
Cable Option	-1 = 963-003-24 -2 = 963-003-26 -3 = 963-037				
Length	Overall length in inches				



- Notes**
- 100% tested for continuity, DWV and IR.
 - Not available in pin to pin or socket to socket configurations..





NEXT-GENERATION

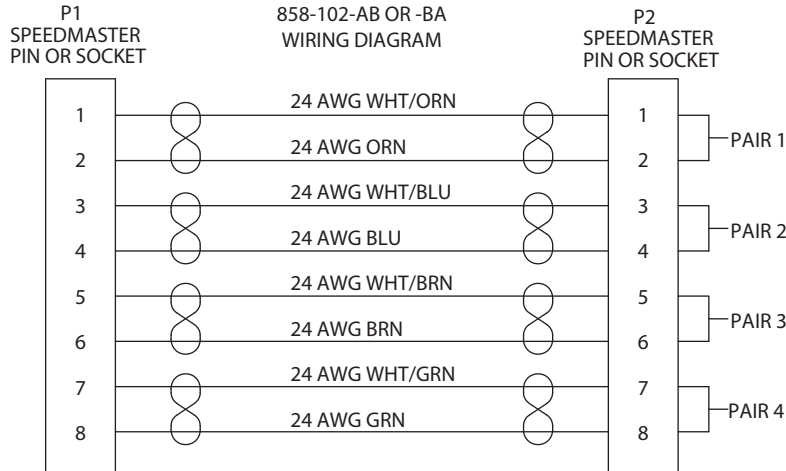
SpeedMaster™



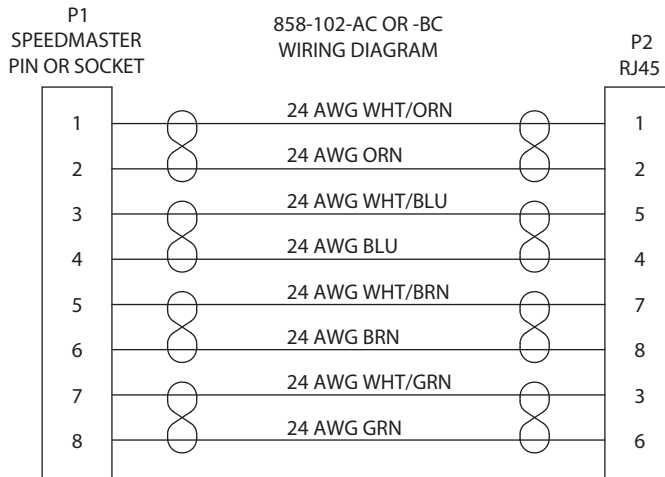
Pre-wired 10G high-speed contacts

10GBase-T Cat 6A Compliance Testing Contacts

858-102 SPEEDMASTER™ WIRING DIAGRAMS



SPEEDMASTER TO SPEEDMASTER IS 1 TO 1.
MUST BE PIN TO SOCKET OR SOCKET TO PIN
OMIT P2 FOR 858-102-AN OR -BN



SPEEDMASTER PIN OR SOCKET TO RJ45 PLUG