



BATTLE-TESTED

STAR-PAN™

General-Purpose Cables



GENERAL PURPOSE STAR-PAN CABLES

Part No.	NATO Stock No. NSN	Description	Electrical Function	Weight	Standard Length	Cable Finish	ECCN / EAR	Page No.
808-047	5995-01-668-8636	General-Purpose STAR-PAN cable (for use with all Mighty Mouse 807-equipped adapter cables, EUDs, batteries, and peripherals)	Power + Data	50g	24"	Black Santoprene or Nomex, O.D.	3A611.x	39
808-081		STAR-PAN II Expansion Cable	Power + Data	56g	8"	Black Santoprene	3A611	40
TS8-460		STAR-PAN II Splitter Cable	Power + Data	56g	8"	Black Santoprene	3A611	41
808-095		90° Exit Cable (with 90° plug)	Power + Data	20g	6"	Nomex, O.D.	3A611.x	42
808-244		90° Exit Cable (with 90° receptacle)	Power + Data	20g	6"	Nomex, O.D.	3A611.x	43
808-236		6-6 Receptacle-to-Receptacle Cable	Power + Data	(consult factory)	8"	Black Polyurethane	3A611.x	44
TS8-452		Radio-to-PAN Adapter Cable	Power + Data	(consult factory)	24"	Nomex, O.D.	3A611.x	45
808-129		Plug flying lead assembly	Power + Data	65g	24"	Black Santoprene	99	46
808-130		Receptacle flying lead assembly	Power + Data	65g	24"	Black Santoprene	99	47

BATTLE-TESTED

STAR-PAN™

General-Purpose STAR-PAN Cables

808-047 General-purpose STAR-PAN cable



GENERAL-PURPOSE CABLES



General-Purpose STAR-PAN Cable



QUALIFIED FOR USE WITH
ALL STAR-PAN POWER / DATA HUBS:
LIGHT, II, IV, VI, AND BASE STATION X
STANDARD CABLE FOR USE WITH ALL
MIGHTY MOUSE 807-EQUIPPED ADAPTER
CABLES, EUDs, BATTERIES, AND PERIPHERALS

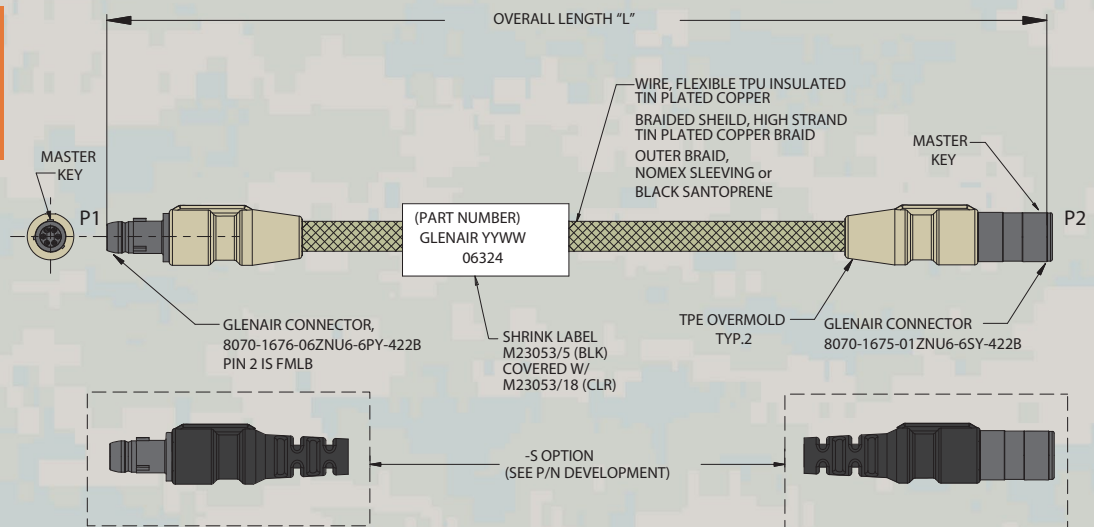
SPECIFICATIONS

- Olive drab Nomex® braided cable, or black Santoprene-jacketed cable
- Overmolded, ergonomic connector strain reliefs, desert tan or black
- Mighty Mouse 807 (NATO standard) connectors
- Weight, 24" cable: 50g
- Export classification: ECCN 3A611.x

HOW TO ORDER

Sample Part Number:	808-047	-36
Cable Series	General-Purpose STAR-PAN cable	
Cable Jacket Option	-S = Black Santoprene Jacket Omit for standard Olive Drab Nomex	
Length Designator	In inches. Omit for default length of 24.00" [NATO NSN 5995-01-668-8636]	

HUB PORT DESIGNATOR:
**EUD
AUX
RADIO
BATT**



BATTLE-TESTED

STAR-PAN™ II

General-Purpose STAR-PAN Cables

808-081 STAR-PAN II expansion cable



DESIGNED FOR STAR-PAN II.
EXPANDS PAN PORT TO UTILIZE TWO
USB PERIPHERAL DEVICES



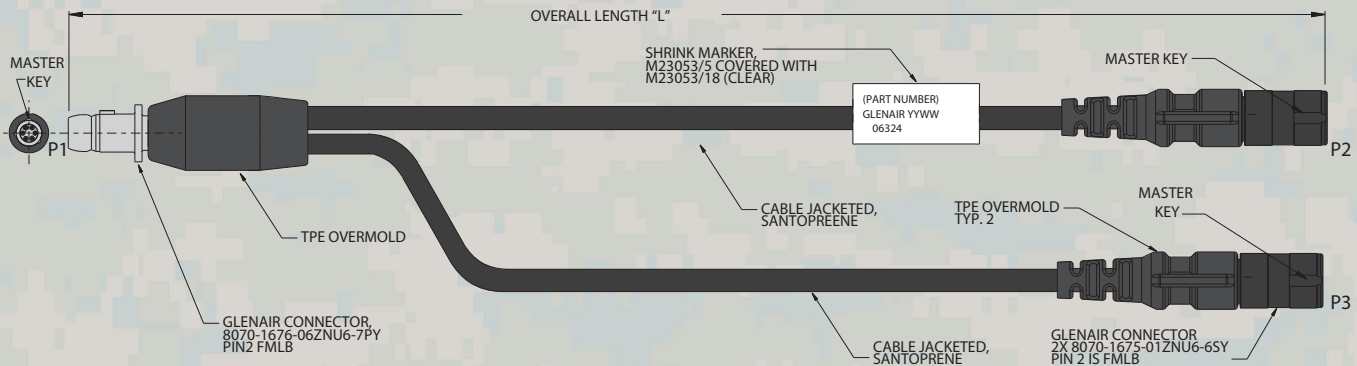
SPECIFICATIONS

- Santoprene-jacketed cable, black
- TPE overmolded, ergonomic connector strain reliefs
- Mighty Mouse 807 (NATO standard) connectors
- Weight, 8" cable: 56g
- Export classification: ECCN 3A611.x

HOW TO ORDER

Sample Part Number:	808-081
Cable Series	STAR-PAN II Expansion Cable
Length Designator	In inches (minimum 6.00") Omit for default length of 8.00"

HUB PORT DESIGNATOR:
PAN



GENERAL-PURPOSE CABLES

BATTLE-TESTED

STAR-PAN™ II

General-Purpose STAR-PAN Cables

TS8-460 STAR-PAN II splitter cable



DESIGNED FOR STAR-PAN II.
EXPANDS PAN PORT INTO ONE RADIO
CONNECTION AND ONE PAN CONNECTION

SPECIFICATIONS

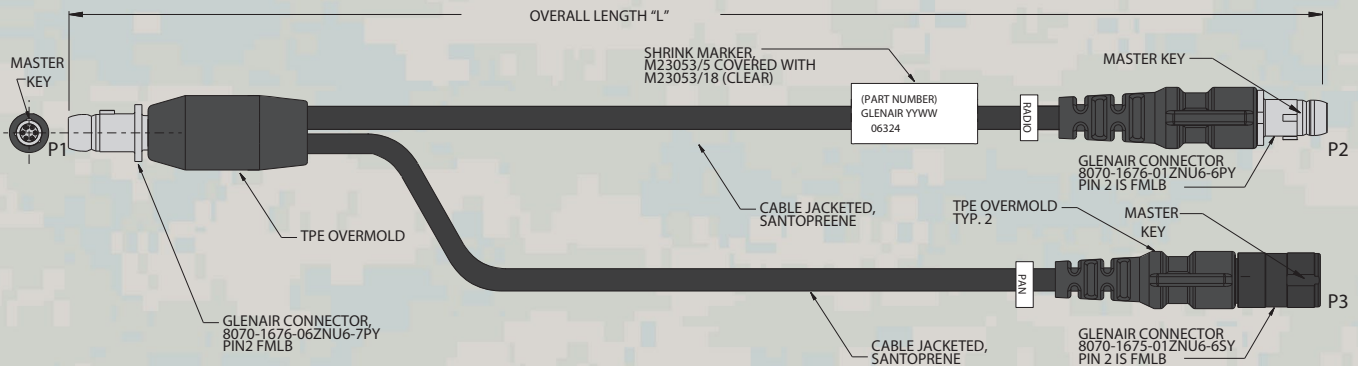
- Santoprene-jacketed cable, black
- TPE overmolded, ergonomic connector strain reliefs
- Mighty Mouse 807 (NATO standard) connectors
- Weight, 8" cable: 56g
- Export classification: ECCN 3A611.x

HOW TO ORDER

Sample Part Number:	TS8-460
Cable Series	STAR-PAN II Splitter Cable
Length Designator	In inches (minimum 6.00") Omit for default length of 8.00"

GENERAL-PURPOSE CABLES

HUB PORT DESIGNATOR:
PAN



BATTLE-TESTED

STAR-PAN™

General-Purpose STAR-PAN Cables

808-095 Right-angle exit cable (90° plug)



GENERAL-PURPOSE CABLES

SPECIFICATIONS

- Olive drab Nomex® braided cable
- Overmolded, ergonomic connector strain reliefs, desert tan
- Mighty Mouse 807 (NATO standard) connectors
- Weight, 6" cable: 20g
- Export classification: ECCN 3A611.x

HOW TO ORDER

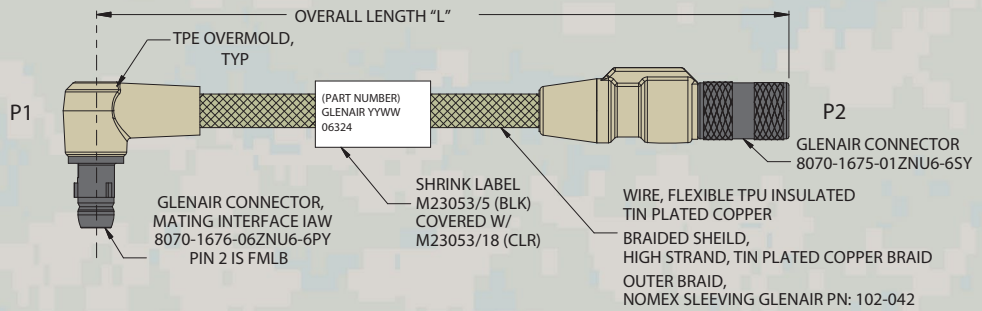
Sample Part Number:	808-095	-8
Cable Series	STAR-PAN 90° plug cable	
Master Key Orientation	See figure 1. Omit for -3 90° default	
Length Designator	In inches Omit for default length of 6.00"	



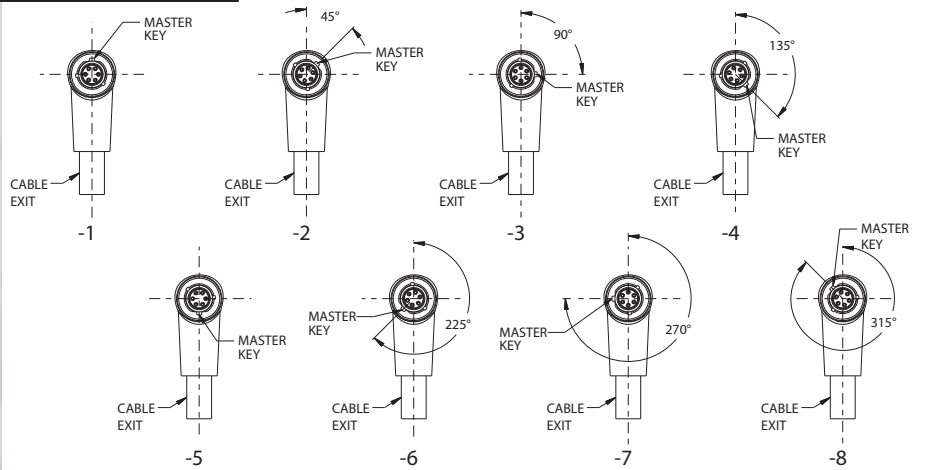
QUALIFIED FOR USE WITH
ALL STAR-PAN POWER / DATA HUBS:
LIGHT, I, II, IV, AND VI

HUB PORT DESIGNATOR:

**EUD
AUX
RADIO
BATT**



MASTER KEY ORIENTATION



BATTLE-TESTED

STAR-PAN™

General-Purpose STAR-PAN Cables

808-244 Right-angle exit cable (90° receptacle)



GENERAL-PURPOSE CABLES

SPECIFICATIONS

- Olive drab Nomex® braided cable
- Overmolded, ergonomic connector strain reliefs, desert tan
- Mighty Mouse 807 (NATO standard) connectors
- Weight, 6" cable: 20g
- Export classification: ECCN 3A611.x

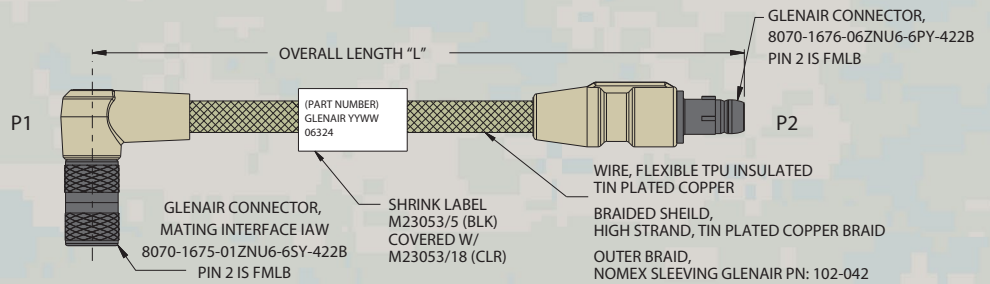
HOW TO ORDER

Sample Part Number:	808-244	-8
Cable Series	STAR-PAN 90° receptacle cable	
Master Key Orientation	See figure 1. Omit for -3 90° default	
Length Designator	In inches Omit for default length of 6.00"	

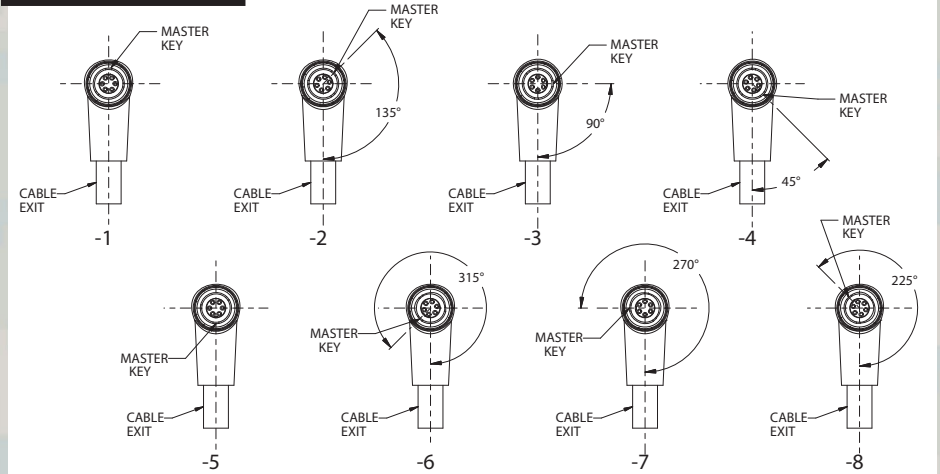


QUALIFIED FOR USE WITH
ALL STAR-PAN POWER / DATA HUBS:
LIGHT, I, II, IV, AND VI

HUB PORT DESIGNATOR:
**EUD
AUX
RADIO
BATT**



MASTER KEY ORIENTATION



BATTLE-TESTED

STAR-PAN™

General-Purpose STAR-PAN Cables

808-236 6-6 Receptacle-to-Receptacle Cable



GENERAL-PURPOSE CABLES



Receptacle-to-Receptacle connector cable

SPECIFICATIONS

- Polyurethane-overmolded cable, black
- Overmolded, ergonomic connector strain reliefs, black
- Mighty Mouse 807 (NATO standard) connectors
- Weight, 8" cable: (consult factory)
- Export classification: ECCN 3A611.x

HOW TO ORDER

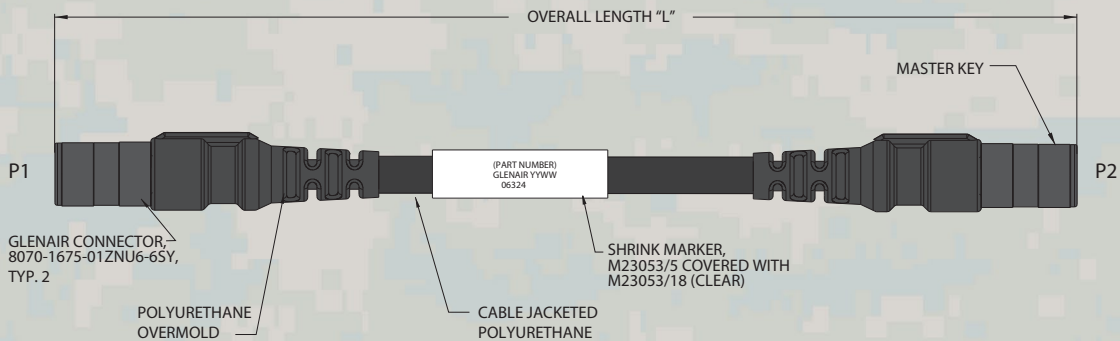
Sample Part Number:	808-236	-12
Cable Series	General-Purpose STAR-PAN cable	
Length Designator	In inches. Omit for default length of 8.00"	



QUALIFIED FOR USE WITH ALL STAR-PAN POWER / DATA HUBS: LIGHT, I, II, IV, AND VI

HUB PORT DESIGNATOR:

EUD
AUX
RADIO
BATT



BATTLE-TESTED

STAR-PAN™

General-Purpose STAR-PAN Cables TS8-452 Radio-to-PAN Adapter Cable



GENERAL-PURPOSE CABLES



Radio-to-PAN
adapter cable

SPECIFICATIONS

- Nomex-overbraided cable, olive drab
- Overmolded, ergonomic connector strain reliefs, desert tan
- Mighty Mouse 807 (NATO standard) connectors
- Weight, 24" cable: (consult factory)
- Export classification: ECCN 3A611.x

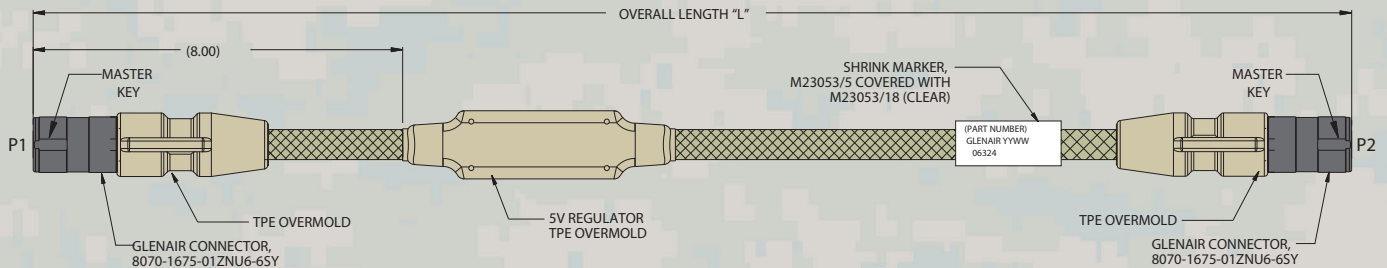
HOW TO ORDER

Sample Part Number:		TS8-452	-32
Cable Series	General-Purpose STAR-PAN cable		
Length Designator	In inches. Omit for default length of 24.00"		



QUALIFIED FOR USE WITH
ALL STAR-PAN POWER / DATA HUBS:
LIGHT, I, II, IV, AND VI

HUB PORT DESIGNATOR:
EUD
AUX
RADIO
BATT



BATTLE-TESTED

STAR-PAN™

General-Purpose STAR-PAN Cables: 808-129 PAN port



GENERAL-PURPOSE CABLES

SPECIFICATIONS

- User-terminatable for fast prototyping and non-standard connector support
- Black Santoprene-jacketed single-ended cable
- Overmolded, ergonomic connector strain relief
- Mighty Mouse 807 (NATO standard) connector
- Weight, 24" cable: 65g
- Export classification: EAR 99
- PAN port

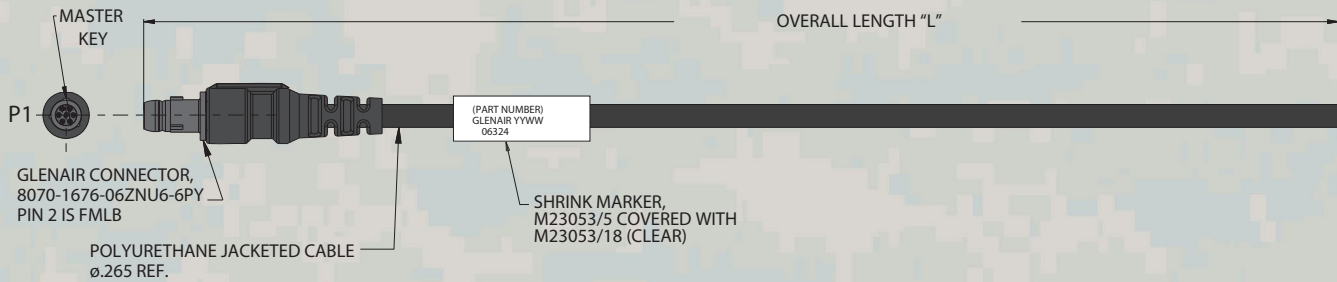
HOW TO ORDER

Sample Part Number:	808-129	-18
Cable Series	STAR-PAN flying lead assembly, PAN port	
Length Designator	In inches Omit for default length of 24.00"	



QUALIFIED FOR USE WITH
ALL STAR-PAN POWER / DATA HUBS:
LIGHT, I, II, IV, AND VI

HUB PORT DESIGNATOR:
PAN



BATTLE-TESTED

STAR-PAN™

General-Purpose STAR-PAN Cables: 808-130 RADIO, AUX, or BATT port



GENERAL-PURPOSE CABLES

SPECIFICATIONS

- User-terminatable for fast prototyping and non-standard connector support
- Black Santoprene-jacketed single-ended cable
- Overmolded, ergonomic connector strain relief
- Mighty Mouse 807 (NATO standard) connector
- Weight, 24" cable: 65g
- Export classification: EAR 99
- RADIO, AUX, or BATT port

HOW TO ORDER

Sample Part Number:	808-130	-18
Cable Series	STAR-PAN flying lead assembly, RADIO, AUX, or BATT port	
Length Designator	In inches Omit for default length of 24.00"	



QUALIFIED FOR USE WITH
ALL STAR-PAN POWER / DATA HUBS:
LIGHT, I, II, IV, AND VI

HUB PORT DESIGNATOR:

RADIO
AUX
BATT

