



BATTLE-TESTED

STAR-PAN™

Targeting device cables and adapters

STAR-PAN TARGETING DEVICE CABLES AND BATTERY ADAPTERS

Part No. / Description	NATO Stock No. NSN		Page No.
808-041	5995-01-668-8804	Vector 21 / 23B Cable	105
TS8-494		Vektor 21 / Moskito / Multi-Purpose RS232 Cable	106
808-049	5995-01-693-5683	PLRF 15C / 25C Cable	107
808-212		STERNA True North Finder (TNF) cable	108
808-246	5995-01-684-4726	JIM-LR Cable	109
808-219		JIM Compact Cable	110
TS8-488		JIM Compact P2 Cable, Right-Angle Overmold with Switch	111
808-218		Moskito TI Cable	112
808-251	6150-01-693-7011	Moskito TI RS-232 to USB Converter Cable	113
TS8-427		Moskito TI-SI1 with STERNA Cable	114



Safran Vectronix Vector 21/21B and Moskito Data Cable



PLRF 15C/25C Laser Range Finder Cable



Safran Vectronix STERNA TNF Data Cable

BATTLE-TESTED

STAR-PAN™

Targeting device cables and adapters

808-041 Vector 21 / 23B Cable



For Safran Vectronix
Vector 21/23B and Moskito

SPECIFICATIONS

- For connection of referenced targeting device to STAR-PAN power / data hubs
- Santoprene-jacketed cable and ergonomic TPE overmold
- Trigger assembly with integrated RS-232 to USB conversion circuitry
- Mighty Mouse 807 (NATO standard) hub and P2 peripheral device connectors
- Weight, 54" cable: 205g
- Export classification: ECCN 3A611.x

HOW TO ORDER

Sample Part Number:

808-041

Cable Series

Vector 21/23B/Moskito Data Cable

TARGETING CABLES AND ADAPTERS

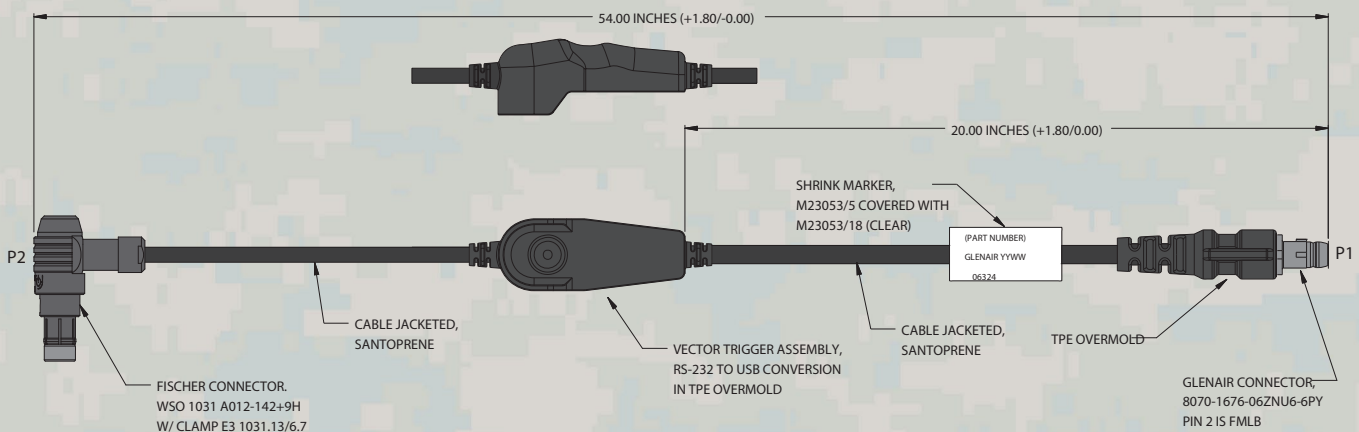


QUALIFIED FOR USE WITH ALL STAR-PAN POWER / DATA HUBS

LIGHT, II, IV, AND VI

HUB PORT DESIGNATOR:

PAN



BATTLE-TESTED

STAR-PAN™

Targeting device cables and adapters

TS8-494 Vector 21 / Moskito / Multi-Use RS232 cable



TARGETING CABLES AND ADAPTERS

SPECIFICATIONS

- Mutli-Purpose RS232 Cable for connection of TNF targeting devices to STAR-PAN power / data hubs
- Santoprene-jacketed cable and ergonomic TPE overmold
- Trigger assembly with integrated RS-232 to USB conversion circuitry
- Mighty Mouse 807 (NATO standard) hub and P1 peripheral device connectors
- Weight, 54" cable: 205g
- Export classification: ECCN 3A611.x

HOW TO ORDER

Sample Part Number:	TS8-494	-40
Cable Series	Vector 21 / Moskito / RS232 cable	
Length Designator	In inches. Omit for default length of 54"	

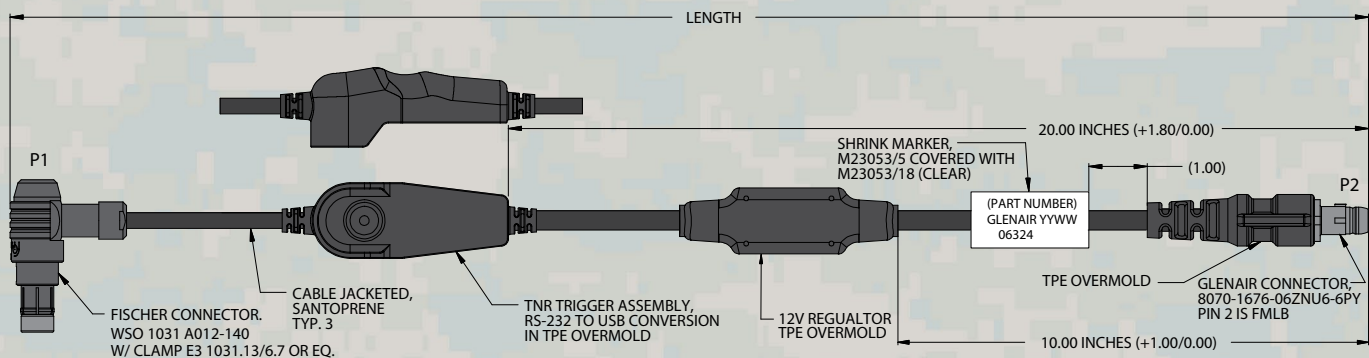


QUALIFIED FOR USE WITH ALL STAR-PAN POWER / DATA HUBS

LIGHT, II, IV, AND VI

HUB PORT DESIGNATOR:

PAN



BATTLE-TESTED

STAR-PAN™

Targeting device cables and adapters

808-049 PLRF 15C / 25C Cable



TARGETING CABLES AND ADAPTERS



**PLRF 15C / 25C
Laser Range Finder Cable**

SPECIFICATIONS

- For connection of referenced targeting device to STAR-PAN power / data hubs
- Santoprene-jacketed cable and ergonomic TPE overmold
- Integrated RS-232 to USB conversion circuitry
- Mighty Mouse 807 (NATO standard) hub and P1 peripheral device connectors
- Weight, 45" cable: 76g
- Export classification: ECCN 3A611.x

HOW TO ORDER

Sample Part Number:	808-049	-50
Cable Series	PLRF 15C/25C Laser Range Finder Cable	
Length Designator	In inches. Omit for default length of 45.00"	

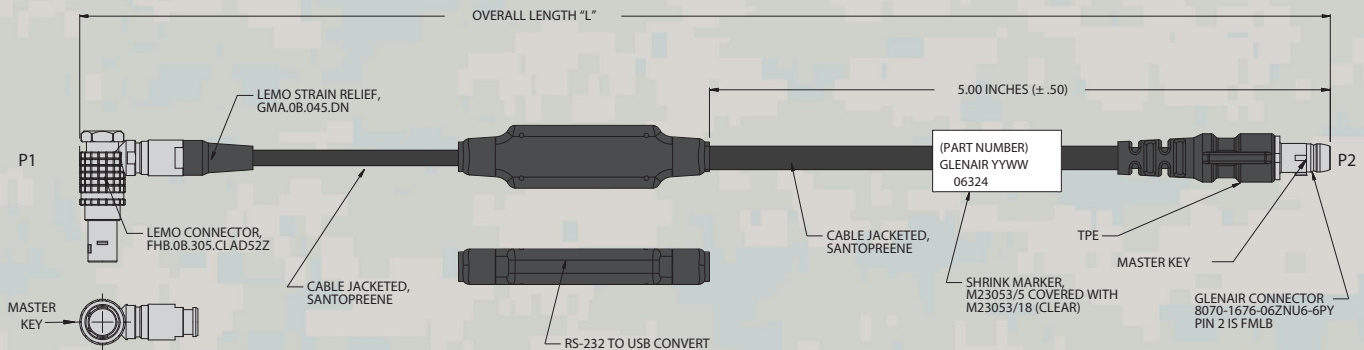


QUALIFIED FOR USE WITH ALL STAR-PAN POWER / DATA HUBS

LIGHT, II, IV, AND VI

HUB PORT DESIGNATOR:

PAN



BATTLE-TESTED

STAR-PAN™

Targeting device cables and adapters

808-212 STERNA True North Finder (TNF) Cable



TARGETING CABLES AND ADAPTERS



STERNA True North Finder (TNF) Cable

SPECIFICATIONS

- For connection of referenced targeting device to STAR-PAN power / data hubs
- Polyurethane-jacketed cable and ergonomic TPU overmold
- Integrated RS-232 to USB conversion circuitry
- Supplies power to STERNA TNF
- Mighty Mouse 807 (NATO standard) hub and P1 peripheral device connectors
- Weight, standard 24" cable: 110g
- Export classification: ECCN 3A611.x

HOW TO ORDER

Sample Part Number:		808-212	-18
Cable Series	STERNA TNF Data Cable		
Length Designator	In inches. Omit for default length of 24.00"		

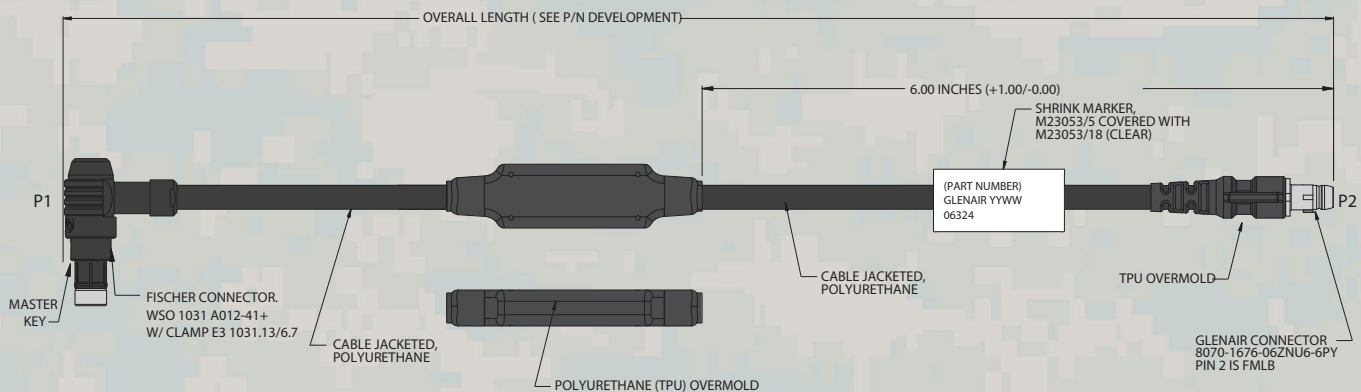


QUALIFIED FOR USE WITH ALL STAR-PAN POWER / DATA HUBS

LIGHT, II, IV, AND VI

HUB PORT DESIGNATOR:

PAN



BATTLE-TESTED

STAR-PAN™

Targeting device cables and adapters

808-246 JIM-LR Cable



JIM-LR Cable

SPECIFICATIONS

- For connection of referenced targeting device to STAR-PAN power / data hubs
- Polyurethane-jacketed cable and ergonomic TPU overmold, black
- Integrated RS-422 to USB conversion circuitry
- Supplies power to JIM-LR
- Mighty Mouse 807 (NATO standard) hub, P2 power and P1 data peripheral device connectors
- Weight, 48" cable: 235g
- Export classification: ECCN 3A611.x

HOW TO ORDER

Sample Part Number:	808-246	-52
Cable Series	STERNA/JIM-LR RS-422 to USB Converter Cable	
Length Designator	In inches, 12" minimum Omit for default length of 48.00"	

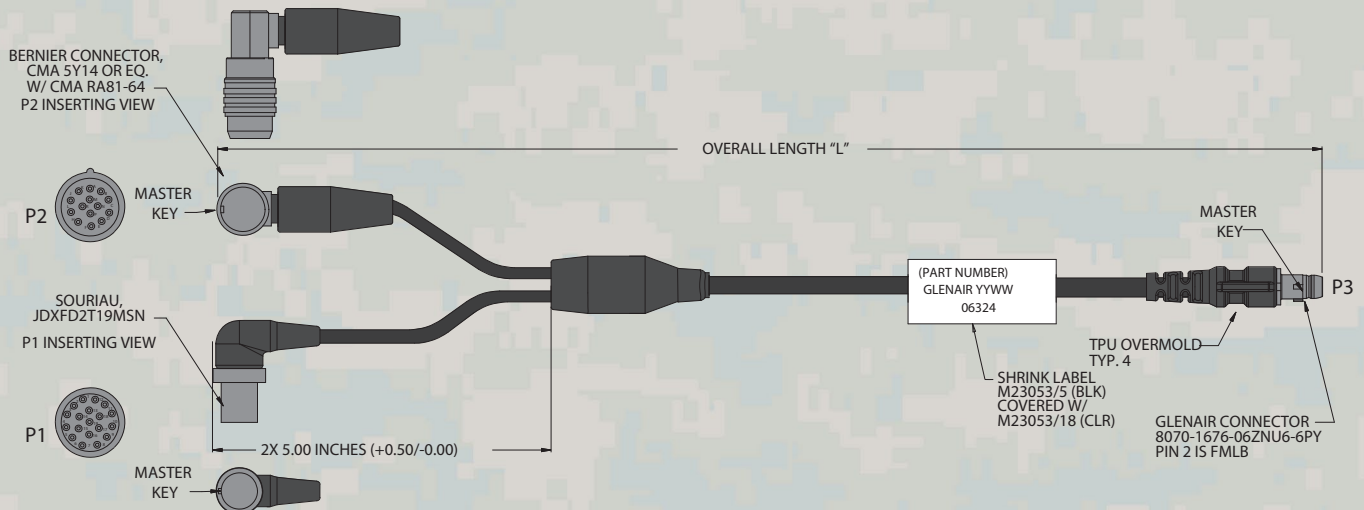


QUALIFIED FOR USE WITH ALL STAR-PAN POWER / DATA HUBS

LIGHT, II, IV, AND VI

HUB PORT DESIGNATOR:

PAN



TARGETING CABLES AND ADAPTERS

BATTLE-TESTED

STAR-PAN™

Targeting device cables and adapters

808-219 JIM Compact Cable



TARGETING CABLES AND ADAPTERS



JIM Compact Cable

SPECIFICATIONS

- For connection of referenced targeting device to STAR-PAN power / data hubs
- Polyurethane-jacketed cable and ergonomic TPE overmold, black
- Integrated Ethernet to USB conversion circuitry
- Mighty Mouse 807 (NATO standard) hub and P1 peripheral device connectors
- Weight, 40" cable: 115g
- Export classification: ECCN 3A611.x

HOW TO ORDER

Sample Part Number:	808-219	-30
Cable Series	JIM Compact Adapter Cable	
Length Designator	In inches. Omit for default length of 40.00"	

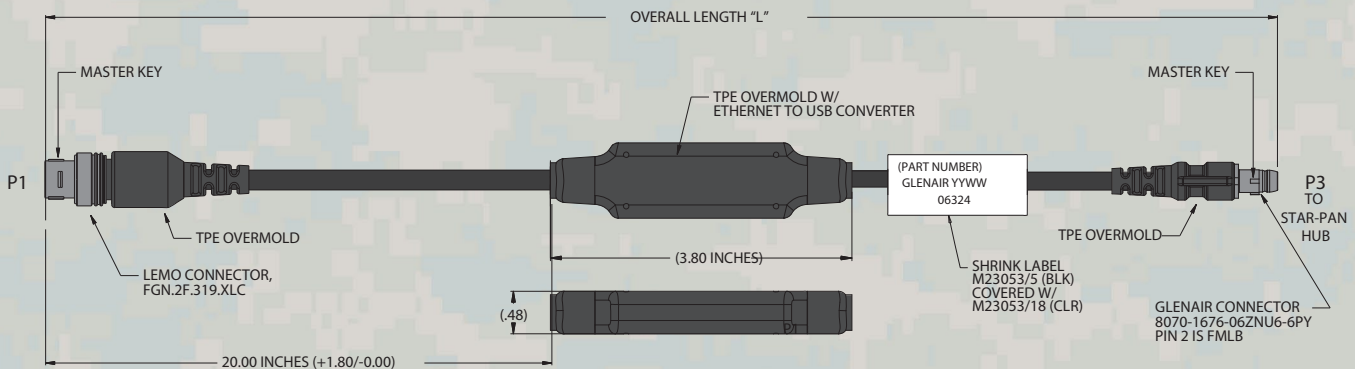


QUALIFIED FOR USE WITH ALL STAR-PAN POWER / DATA HUBS

LIGHT, II, IV, AND VI

HUB PORT DESIGNATOR:

PAN



BATTLE-TESTED

STAR-PAN™

Targeting device cables and adapters

TS8-488 JIM Compact Cable, Right-Angle Overmold with Switch



TARGETING CABLES AND ADAPTERS



JIM Compact Cable with Right-Angle Overmold and Switch

SPECIFICATIONS

- For connection of referenced targeting device to STAR-PAN power / data hubs
- Polyurethane-jacketed cable and ergonomic TPE overmold, black
- Integrated Ethernet to USB conversion circuitry
- Mighty Mouse 807 (NATO standard) hub and J2 peripheral device connectors
- Weight, 60" cable: (consult factory)
- Export classification: ECCN 3A611.x

HOW TO ORDER

Sample Part Number:	TS8-488	-30
Cable Series	JIM Compact Adapter Cable	
Length Designator	In inches. 36" minimum Omit for default length of 60.00"	

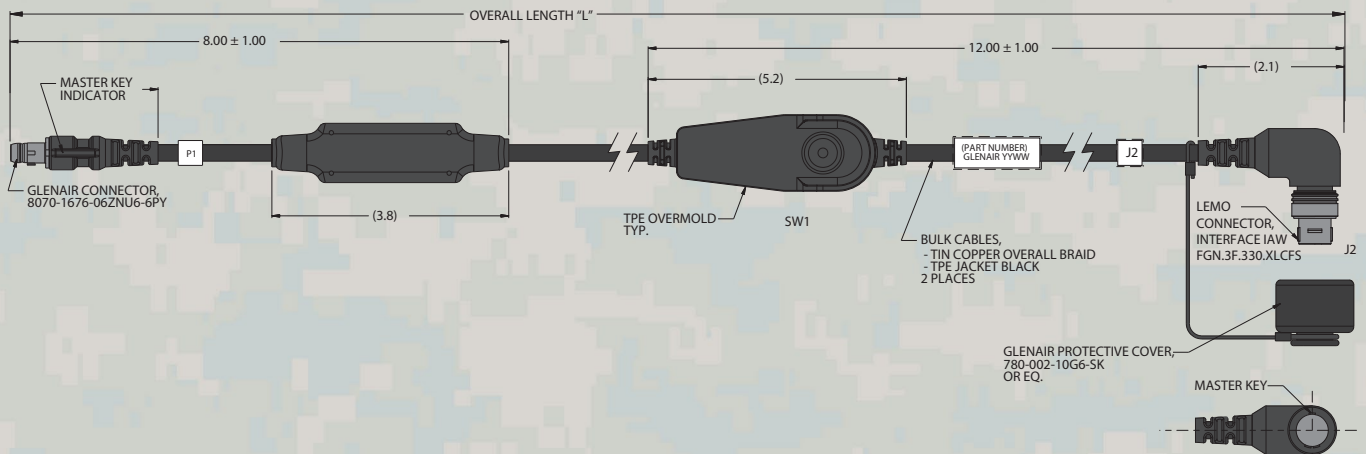


QUALIFIED FOR USE WITH ALL STAR-PAN POWER / DATA HUBS

LIGHT, II, IV, AND VI

HUB PORT DESIGNATOR:

PAN



BATTLE-TESTED

STAR-PAN™

Targeting device cables and adapters

808-218 Moskito TI Cable



TARGETING CABLES AND ADAPTERS



Moskito TI Cable

SPECIFICATIONS

- For connection of referenced targeting device to STAR-PAN power / data hubs
- Polyurethane-jacketed cable and ergonomic TPU overmold, black
- Integrated Ethernet to USB conversion circuitry
- Mighty Mouse 807 (NATO standard) hub and P1/P2 peripheral device connectors
- Weight, 24" cable: 150g
- Export classification: ECCN 3A611.x

HOW TO ORDER

Sample Part Number:	808-218	-30
Cable Series	Moskito TI Cable	
Length Designator	In inches. Omit for default length of 24.00"	

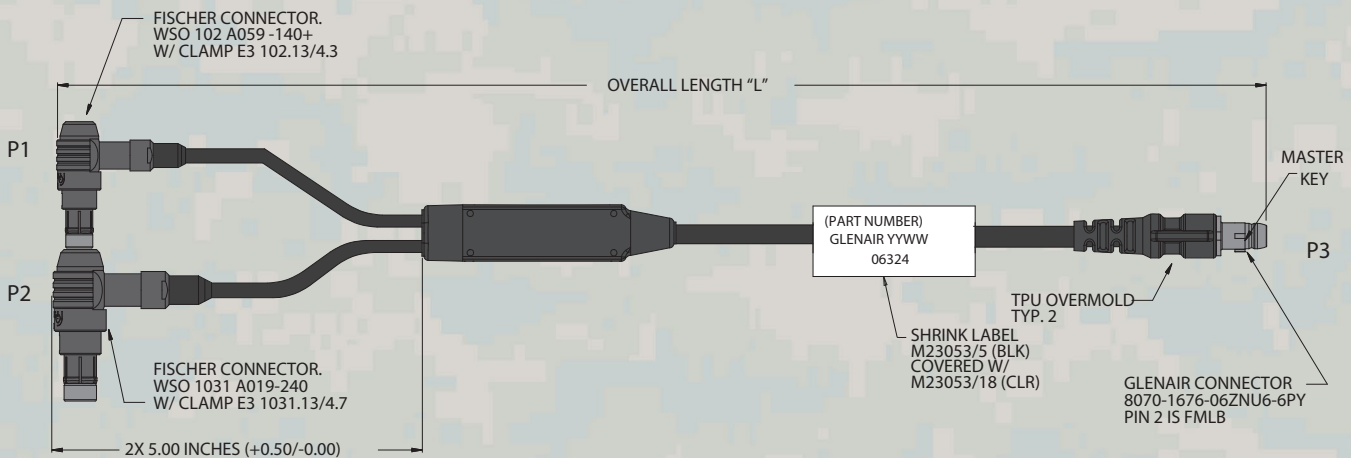


QUALIFIED FOR USE WITH ALL STAR-PAN POWER / DATA HUBS

LIGHT, II, IV, AND VI

HUB PORT DESIGNATOR:

PAN



BATTLE-TESTED

STAR-PAN™

Targeting device cables and adapters

808-251 Moskito TI RS-232 to USB Converter Cable



TARGETING CABLES AND ADAPTERS



Moskito TI Adapter Cable

SPECIFICATIONS

- For connection of referenced targeting device to STAR-PAN power / data hubs
- Polyurethane-jacketed cable and ergonomic TPU overmold, black
- Integrated RS-232 to USB conversion circuitry
- Mighty Mouse 807 (NATO standard) hub and P1 peripheral device connectors
- Weight, 24" cable: 59g
- Export classification: ECCN 3A611.x
- RS-232 and power
- PAN port connection

HOW TO ORDER

Sample Part Number:	808-251	-30
Cable Series	Moskito TI Adapter Cable	
Length Designator	In inches. Omit for default length of 24.00"	

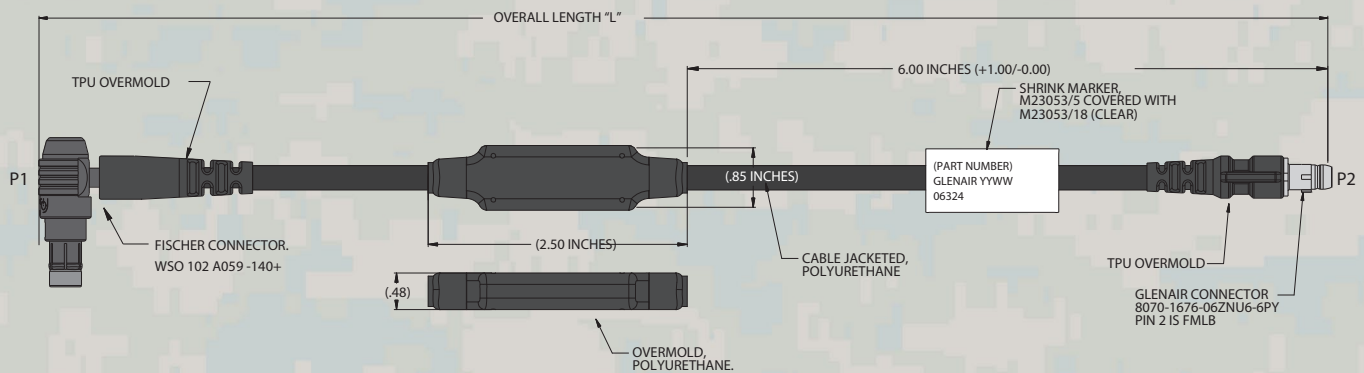


QUALIFIED FOR USE WITH ALL STAR-PAN POWER / DATA HUBS

LIGHT, II, IV, AND VI

HUB PORT DESIGNATOR:

PAN



BATTLE-TESTED

STAR-PAN™

Targeting device cables and adapters

TS8-427 Moskito TI-SI1 with STERNA Cable



TARGETING CABLES AND ADAPTERS



Moskito TI-SI1 with STERNA Cable

SPECIFICATIONS

- For connection of referenced targeting device to STAR-PAN power / data hubs
- Polyurethane-jacketed cable and ergonomic TPU overmold, black
- Integrated RS-232 to USB conversion circuitry
- Mighty Mouse 807 (NATO standard) hub and P1/P2 peripheral device connectors
- Weight: (consult factory)
- Export classification: ECCN 3A611.x

HOW TO ORDER

Sample Part Number:

TS8-427

Cable Series

Moskito TI - SI1 with STERNA cable



QUALIFIED FOR USE WITH ALL STAR-PAN POWER / DATA HUBS

LIGHT, II, IV, AND VI

HUB PORT DESIGNATOR:

PAN

