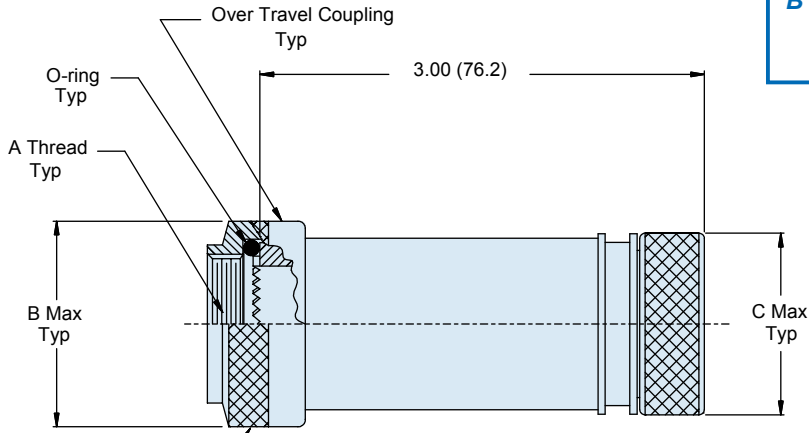
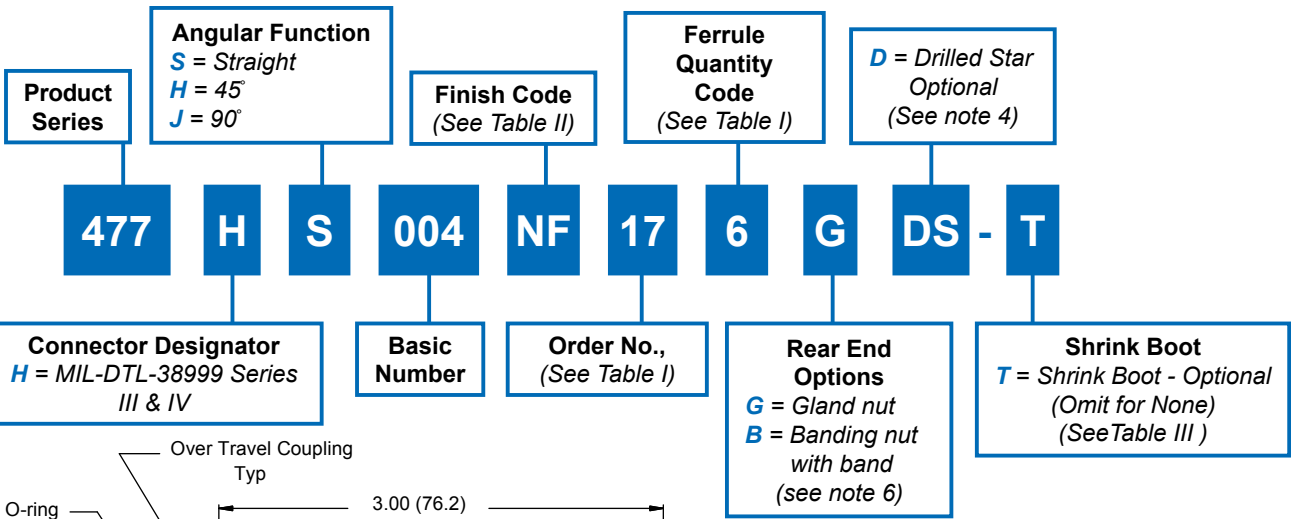


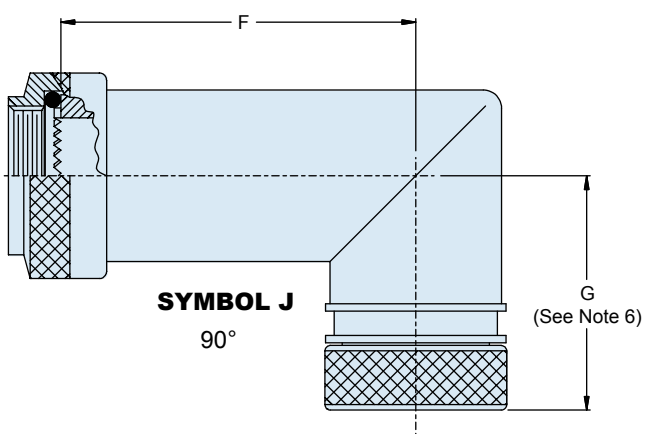
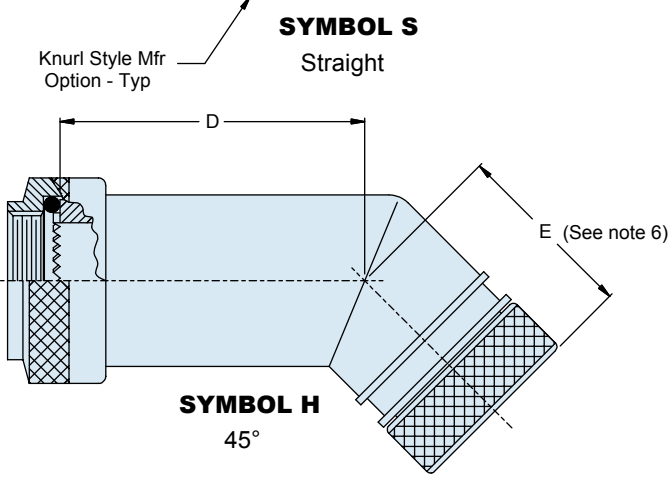
477-004
StarShield™ Environmental EMI/RFI Extended Length
Shield Termination Backshell
For MIL-DTL-38999 Series III & IV Connectors



StarShield™ environmental, extended length, backshell with self-nestor coupling



Material/Finish	
Backshell, elbows, coupling & gland nut, compression ring, star, banding nut	Al alloy or CRES/ Table II
O-ring	Silicone/n.a.
Band	CRES/passivate



Dimensions in inches (millimeters) and are subject to change without notice.

477-004
StarShield™ Environmental EMI/RFI Extended Length
Shield Termination Backshell
For MIL-DTL-38999 Series III & IV Connectors



Table I: Dimensions

Order No	Connector Shell Size Ref	A Thread Iso Metric	B Dia Max	C Dia Max	D Max	E Max (See Note 6)	F Max	G Max (See Note 6)	H ±.004 (0.10)	Ferrule Quantity (See Note 4)	
										Std.	Opt.
09	A/9	M12 X 1 - 6H	.75 (19.0)	.69(17.5)	2.49 (63.3)	1.00 (25.4)	2.63 (66.8)	1.14 (29.0)	.315 (8.00)	1	-
11	B/11	M15 X 1 - 6H	.87 (22.0)	.85(21.5)	2.51 (63.8)	1.02 (26.0)	2.69 (68.3)	1.20 (30.5)	.531 (13.50)	2	-
13	C/13	M18 X 1 - 6H	1.00 (25.5)	.89(22.5)	2.55 (64.8)	1.04 (26.5)	2.75 (69.8)	1.26 (32.0)	.591 (15.00)	3	-
15	D/15	M22 X 1 - 6H	1.20 (30.5)	1.00(25.5)	2.57 (65.3)	1.08 (27.5)	2.81 (71.3)	1.32 (33.5)	.709 (18.00)	5	-
17	E/17	M25 X 1 - 6H	1.32 (33.5)	1.12(28.5)	2.59 (65.8)	1.10 (28.0)	2.87 (72.8)	1.38 (35.0)	.827 (21.00)	6	7
19	F/19	M28 X 1 - 6H	1.46 (37.0)	1.24(31.5)	2.61 (66.3)	1.12 (28.5)	2.93 (74.3)	1.44 (36.5)	.945 (24.00)	7	-
21	G/21	M31 X 1 - 6H	1.52 (38.5)	1.38(35.0)	2.65 (67.3)	1.14 (29.0)	3.00 (76.3)	1.52 (38.5)	1.063 (27.00)	9	11
23	H/23	M34 X 1 - 6H	1.65 (42.0)	1.50 (38.0)	2.67 (67.8)	1.18 (30.0)	3.06 (77.8)	1.57 (40.0)	1.181 (30.00)	10	13
25	J/25	M37 X 1 - 6H	1.83 (46.5)	1.61 (41.0)	2.71 (68.8)	1.22 (31.0)	3.12 (79.3)	1.63 (41.5)	1.299 (33.00)	12	17

Notes:

1. Assembly identified with manufacturer's name and P/N, space permitting.
2. For effective grounding, connector with conductive finish should be used.
3. Glenair 600 series backshell assembly tools are recommended for assembly and installation.
4. Star not supplied with order number 09. Drilled star is available on order numbers 15-25 only. If optional ferrule qty per table 1 is selected, one split and one solid star will be supplied
5. Ferrule kit sold separately.
 - 687-764 ferrule and HST device kit
 - 687-748 solder ferrule
 - 687-809 ferrule and sealing device kit
 - 687-841-01 HST flex device
6. Selection of banding nut option (B) will add 1.17(29.7) to indicated dimensions

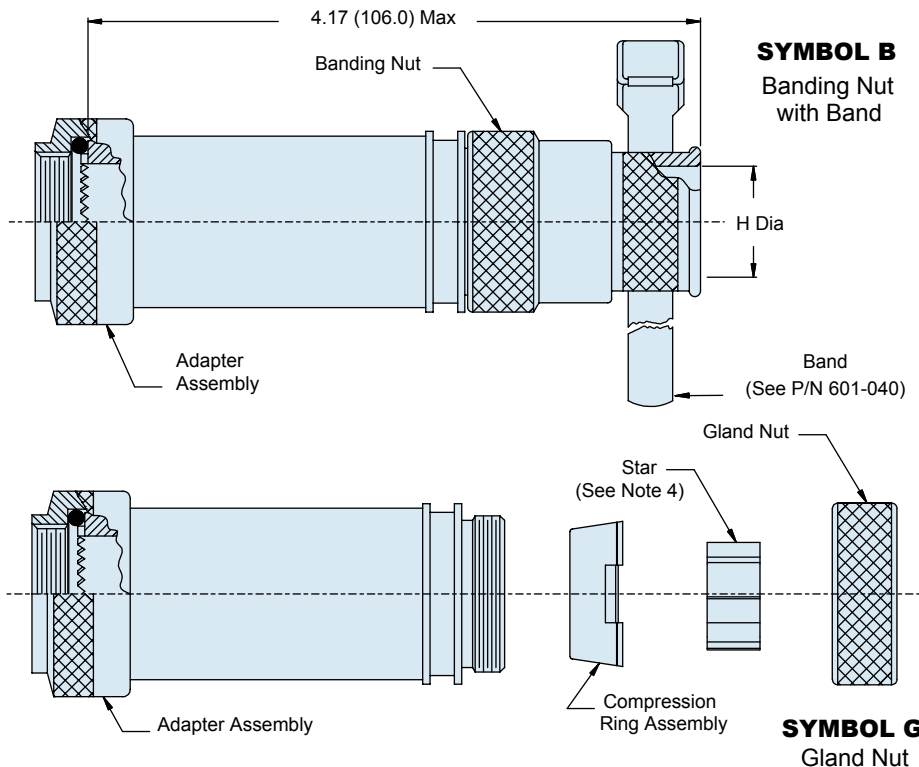


Table II: Material and Finish Options

Code	Material; Finish Description
M	Aluminum; electroless nickel
MT	Aluminum; nickel - PTFE
NF	Aluminum; CAD/O. D. over electroless nickel
ZN	Aluminum; zinc nickel/O. D. over electroless nickel
ZR	Aluminum; zinc nickel/black over electroless nickel (RoHS)
ZRC	Aluminum; zinc nickel over electroless nickel (RoHS)
Z1	Stainless steel; passivate
ZM	Stainless steel; electroless nickel

Table III: Shrink Boot

Shell Size	Shrink Boot Ref. Part No.
09	770-001S1 04
11	770-001S1 06
13	770-001S1 06
15	770-001S1 07
17	770-001S1 07
19	770-001S1 08
21	770-001S1 08
23	770-001S1 08
25	770-001S1 09

Dimensions in inches (millimeters) and are subject to change without notice.

© 2012 Glenair, Inc. StarShield™ Zero Length Shield Termination Catalog CAGE Code 06324 Printed in U.S.A.

GLENAIR, INC. • 1211 AIR WAY • GLENDALE, CA 91201-2497 • 818-247-6000 • FAX 818-500-9912