



ADVANCED PERFORMANCE
**Super ITS-921 Reverse-Bayonet
 Rigid Insert, High-Ampacity Connectors**
 Protective Covers



METAL PROTECTIVE COVERS

Metal covers protect unmated series 921 connectors. Available with no attachment or choose sash chain or nylon-coated wire rope attachments from the ordering table. For shell materials and finishes see HOW TO ORDER table.



Plug Cover with Sash Chain



Plug Cover with Nylon Coated SST Wire Rope



Receptacle Cover with Sash Chain



Receptacle Cover with Nylon Coated SST Wire Rope

How To Order					
Sample Part Number		921-02T	-24	F6	N
Series	921-02T = receptacle cover 921-06T = plug cover				
Shell Size	24, 28, 32, 40				
Material and Finish	F6 = aluminum, black electrostatic paint G3 = aluminum, cadmium, olive drab MT = aluminum nickel-PTFE M = aluminum, electroless nickel G2 = aluminum, anodize, hardcoat Z1 = stainless steel, passivate AB = marine bronze, unplated				
Attachment Type	N = no attachment S = sash chain with clevis fitting H = nylon coated SST wire rope with ring terminal SR = sash chain with clevis fitting for jam-nut HR = nylon coated SST wire rope with ring for jam-nut				

SUPER ITS: HARSH ENVIRONMENT

A

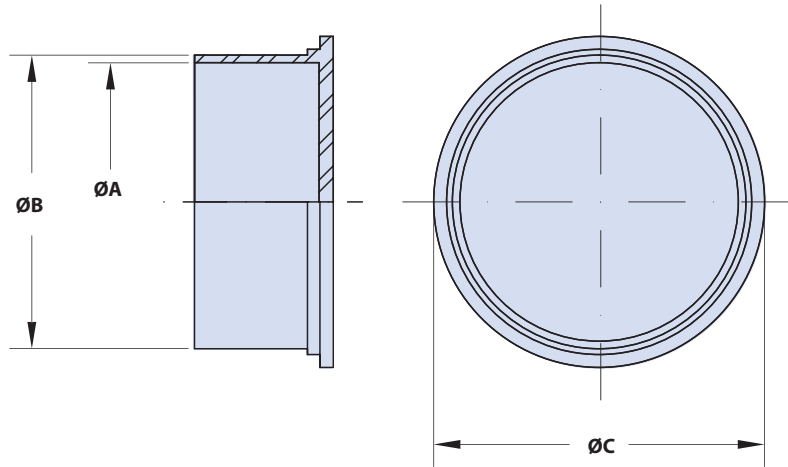


ADVANCED PERFORMANCE
Super ITS-921 Reverse-Bayonet
Rigid Insert, High-Ampacity Connectors
 Protective Covers and Sealing Plugs



PLASTIC PROTECTIVE COVERS

Plastic cap for receptacle and plug connectors for protection against dust and mechanical damage for use during shipping and storage.



SUPER ITS: HARSH ENVIRONMENT

Receptacle Plastic Dust Cap Dimensions				
Part Number	Shell Size	ØA ±0.25 (.010)	ØB ±0.25 (.010)	ØC ± 0.78 (.031)
IT P02-24	24	40.65 (1.600)	43.20 (1.701)	47.00 (1.850)
IT P02-28	28	46.45 (1.829)	49.05 (1.931)	52.00 (2.047)
IT P02-32	32	53.15 (2.093)	55.75 (2.195)	60.00 (2.362)
IT P02-40	40	65.25 (2.569)	67.85 (2.671)	72.00 (2.835)

Plug Plastic Dust Cap Dimensions				
Part Number	Shell Size	ØA ±0.25 (.010)	ØB ±0.25 (.010)	ØC ±0.78 (.031)
IT90376-24R	24	37.16 (1.463)	39.94 (1.572)	43.18 (1.700)
IT90376-28R	28	43.56 (1.715)	45.46 (1.790)	49.53 (1.950)
IT90376-32R	32	49.91 (1.965)	51.82 (2.040)	56.39 (2.220)
IT90376-40R	40	61.98 (2.440)	64.26 (2.530)	67.56 (2.660)

SEALING PLUG

Sealing plugs and wire seals are used to seal unwired contact cavities.



Sealing Plug	
Contact Size	Part Number
16	921-16-HP
12	921-12-HP
8	921-8-HP
4	921-4-HP
1/0	921-0-HP
2/0	921-2-0-HP