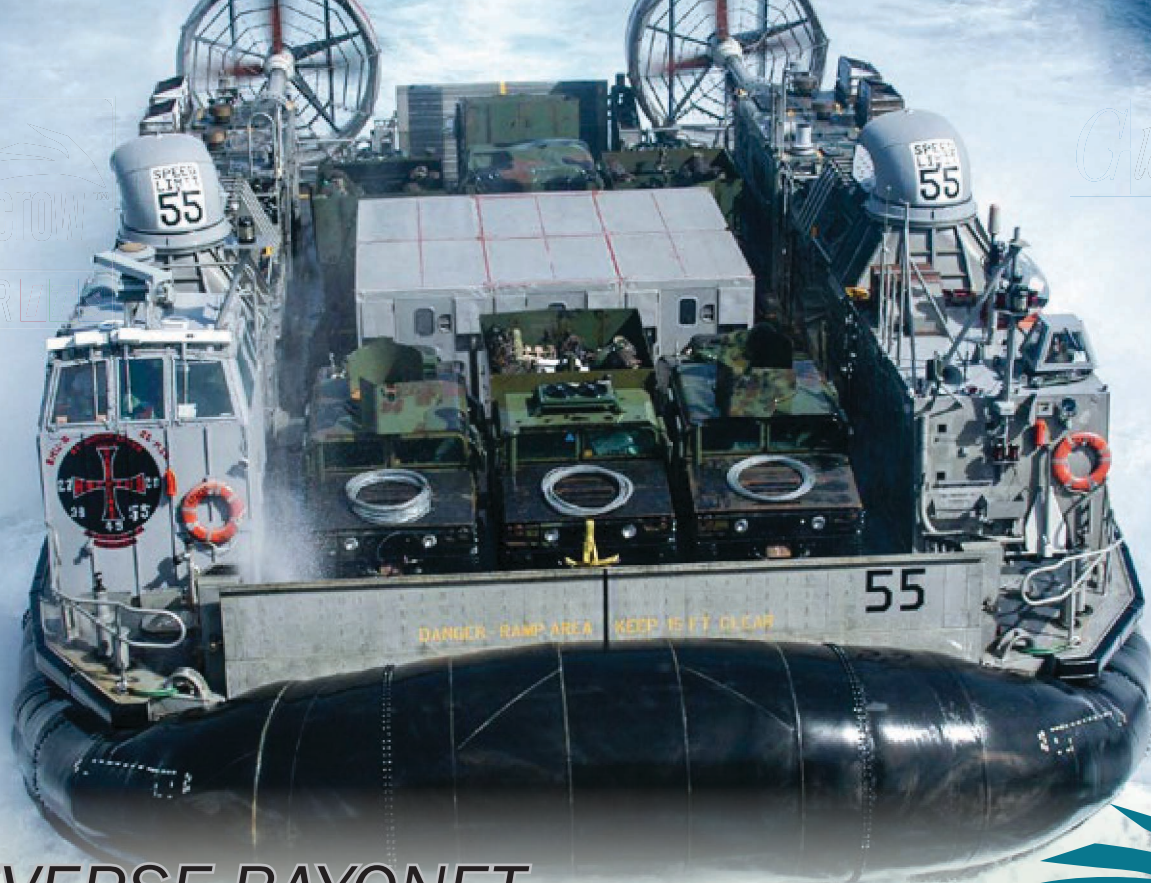


Seacrow™  
SUPER ITS

Glenair

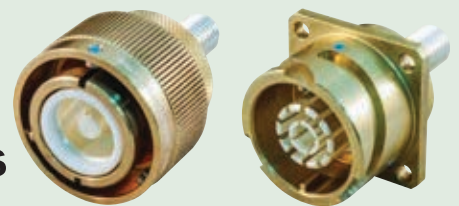


REVERSE-BAYONET

# Super IGE-MB Seacrow™ Single-Pole Connectors



"High voltage at low power" Marine  
Bronze connectors for harsh applications



Super ITS - IGE marine bronze Seacrow™ connectors achieve high-performance working current and peak current, making them ideal for engines, power supplies, and power distribution boxes. Seacrow 5015-type reverse-bayonet connectors are qualified to VG96929 standards. Several backshells available in either straight or 90° elbows for convenient cable routing, IP67 standard, IP68 available.



SUPER ITS: HARSH ENVIRONMENT



- Precision-machined marine bronze alloy for superior corrosion resistance in seawater and other harsh environments
- Chemical-resistant Viton® gaskets and O-rings
- Single-pole high-power VG96929 qualified
- IP68 environmental sealing in mated condition up to 1 bar / 10 m
- High power, single pole connectors accommodating cables from 25 mm square to 240 mm square
- Keyed polarization
- Rugged reverse-bayonet mating
- Crimp and bus bar termination available

A



# REVERSE-BAYONET Super ITS-IGE MB Seacrow™ Single-Pole Marine Bronze Connectors

## Series overview



### Harsh Application Environments

Glenair's Super ITS-IGE MB Seacrow Reverse-Bayonet Unipole Connectors are used for the transmission of high currents with low voltage such as required by military vehicle applications and industrial equipment. Derived from the VG95234 Series Connectors and sharing similar mating interface, mechanical requirements, and contact insert arrangements, Super ITS-IGE MB Seacrow connectors are VG96929 qualified and feature unique two-part insulating inserts (front and rear) that are retained inside the shell by a dynamic spring. Multiple exterior and interior connector O-rings create a watertight seal (1 bar) and the bayonet coupling system helps to prevent accidental unmating caused by vibration.

### Rugged Materials

Super ITS-IGE MB Seacrow connector shells are precision-machined from marine bronze for superior corrosion resistance to seawater and salt spray, and life-of-system durability. Supplied crimp contacts are silver-plated copper alloy, a highly-conductive plating ideal for high current applications. Standard insert material is PTFE which provides durable performance in a temperature range from -55°C to +125°C. Gaskets and O-rings are chemical resistant Viton®.

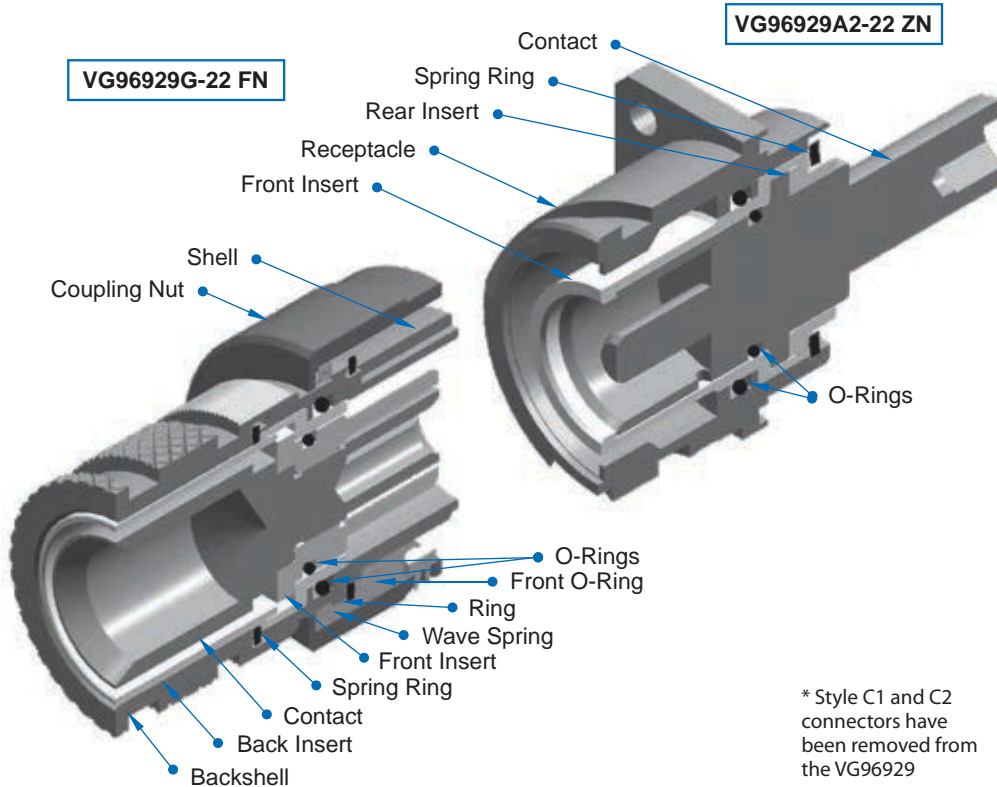
### EMI and Environmental Applications

Super ITS-IGE MB Seacrow series connectors are perfectly suited for use in rugged applications where EEC compliance directives for electromagnetic compatibility are required. A complete range of EMI shield termination accessories are available for termination of both overall as well as individual wire shields. Optional plug grounding fingers are available for improved shell-to-shell resistance and grounding. Equipped with the appropriate backshells and environmental sealing, the connectors are ready to serve in applications that require resistance to both water and caustic chemicals including industrial oils and fuels.

### Connector Accessories

Super ITS-IGE MB Seacrow connectors may be ordered ready-paired with appropriate backshells for common applications. A full range of additional connector accessories including dust caps and EMI gaskets are also available (see catalog Appendix). Please contact the factory for additional information or any of our worldwide sales and engineering facilities. For complete information on these products, as well as, other ruggedized power and signal connectors or visit [www.glenair.com](http://www.glenair.com).

SUPER ITS: HARSH ENVIRONMENT



VG96929 Connector Cross Reference	
VG96929 Connectors	* Glenair Series IGE Marine Bronze
VG96929 A1	IGE 2 E ...B-04
VG96929 A2	IGE 2 E ...B-16
VG96929 B1	IGE 0 E ...B-03
VG96929 C1*	IGE 9 E ...X-B
VG96929 C2*	IGE 9 EFP ...X-B
VG96929 E	IGE 8 E ...B-14
VG96929 F	IGE 6 E ...B-14
VG96929 G	IGE 6 E ...B-03
N.A.	IGE 1 E ...B-03
N.A.	IGE 1 E ...B-14
N.A.	IGE 2 EFP ...B-04
N.A.	IGE 2 EFF ...B-16
N.A.	IGE 0 E ...B-ZL
N.A.	IGE 6 E ...B-16
N.A.	IGE 7 E ...B-16

\* Style C1 and C2 connectors have been removed from the VG96929