



RJ45 CAT 5E ETHERNET Super ITS - RJ45 SuperSeal™ Rugged Field Connectors



Environmental, shielded, reverse-bayonet connectors

Super ITS 303: solder cup connectors



Super ITS 303, Cat 5e connectors enable easy solder cup wire termination. Ruggedized, reverse-bayonet plug connectors use RJ45 plugs while receptacles use RJ45 jacks through the mating interface. Super ITS 303 Cat 5e connectors deliver ruggedized high-speed I/O performance for extreme environments and support 10BASE-T, 100BASE-TX, and 1000BASE-T/1000BASE-TX data rates. Rugged reverse bayonet mating provides reliable intermateability while the locking three-pin bayonet coupler prevents demating under high shock and high vibration conditions.

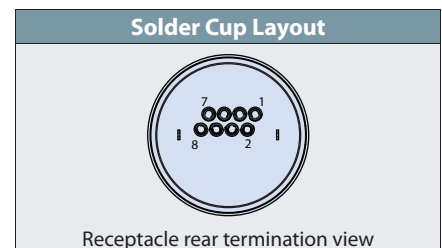
SUPER ITS: RUGGEDIZED RJ45 ETHERNET AND USB

Performance Specifications	
Material and Finish	
Material/Finish	See How to Order table
Solder Cup Contacts	Copper alloy, gold plated
RJ45 Coupler Housing	UL94V-0 Compliant ABS or PPS
Grommet, Peripheral Seal, Interfacial Seal, O-ring	Blended fluorosilicone/silicone elastomer, 30% silicone per ZZ-R-765, 70% fluorosilicone per MIL-R-25988
Shielding Sleeve	Material: Copper alloy Finish: Nickel
Signal / Electrical Specifications	
Data Rate	CAT 5e = 10BASE-T, 100BASE-TX, and 1000BASE-T/1000BASE-TX
Frequency	100 MHz, Cat 5e
Current Rating	Cat 5e, 1.5 Amps
D.W.V.	1000 VDC (700 VAC)
I.R.	500 Mega ohms @ 500 VDC
Cabling Length	Up to 100 meters or 100 meters max.
Mechanical Performance	
Sealing	IP68 mated condition, IP67 unmated condition
Operating Temperature	-40°C to +120°C
Vibration	37 g
Mechanical Shock	300 g's
Mating Cycles	500

How To Order							
Sample Part Number:	ITS 303	03	G	18	5E	1	F7
Series	ITS 303 = Solder cup connectors						
Shell Style	See shell style table						
Insert-to-Shell Grounding	G = Recommended for use with shielded cables						
Shell Size	18						
Cable Category	5E = Cat 5E; for Cat 6A applications consult factory						
RJ45 Orientation	1, 2, 3 or 4						
Material / Finish	Omit for aluminum / cadmium olive drab (G3) F7 = Aluminum / black zinc nickel F11 = Aluminum / electroless nickel						

RJ45 Orientation Options			
Plugs			
Code 1	Code 2	Code 3	Code 4
Receptacle			
Code 1	Code 2	Code 3	Code 4

Connector Shell Styles	
Code	Description
03	Rear panel mount, wall mount receptacle with through-mount holes
07	Rear panel mount, jam-nut receptacle



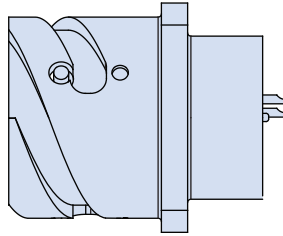
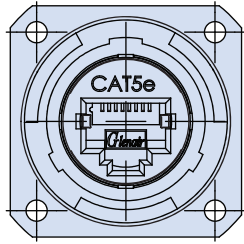


RJ45 CAT 5E ETHERNET
Super ITS - RJ45 SuperSeal™
Rugged Field Connectors

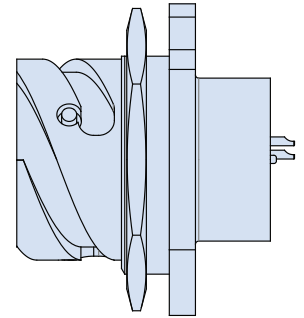
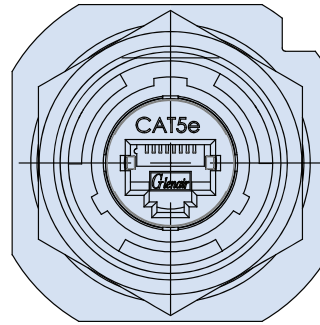


Environmental, shielded, reverse-bayonet connectors

SHELL STYLE 03: REAR PANEL MOUNT, WALL MOUNT RECEPTACLE WITH THROUGH-MOUNT HOLES



SHELL STYLE 07: REAR PANEL MOUNT, JAM-NUT RECEPTACLE



Sample Part Number

ITS303	03	G	18	5E	1	F7
Series	Shell Style	Ground Omit for none	Shell Size	Cable Type	RJ45 Position 1, 2, 3, 4	Material / Finish G3 (omit) FG, F7, F11

Sample Part Number

ITS303	07	G	18	5E	1	F7
Series	Shell Style	Ground Omit for none	Shell Size	Cable Type	RJ45 Position 1, 2, 3, 4	Material / Finish G3 (omit) FG, F7, F11

SUPER ITS: RUGGEDIZED RJ45 ETHERNET AND USB

