



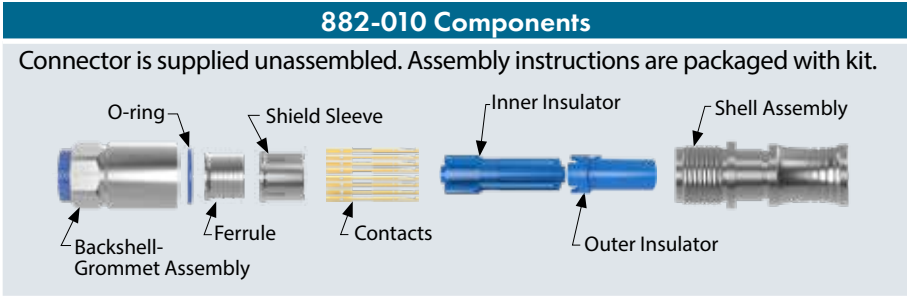
# 882-010 Cable Receptacle, Push-Pull QDC Coupling, USB 3.0



**SuperSpeed USB. Ultraminiature. High performance.** 882-010 SuperFly Datalink connectors have one, El Ochito® octaxial contact housing eight socket contacts. Compatible with aerospace-grade 90 ohm SuperSpeed USB cable. Supplied as unassembled kit. Terminate wires to contacts with crimp tool (purchased separately). M8.5 metric mating thread. Gold-plated EMI spring for low shell-to-shell resistance. Fluorosilicone O-rings for water-tight seal. Braided cable shield terminates to connector with supplied bushing. *Mates to 882-009, -018, -033, and -036 plugs.*

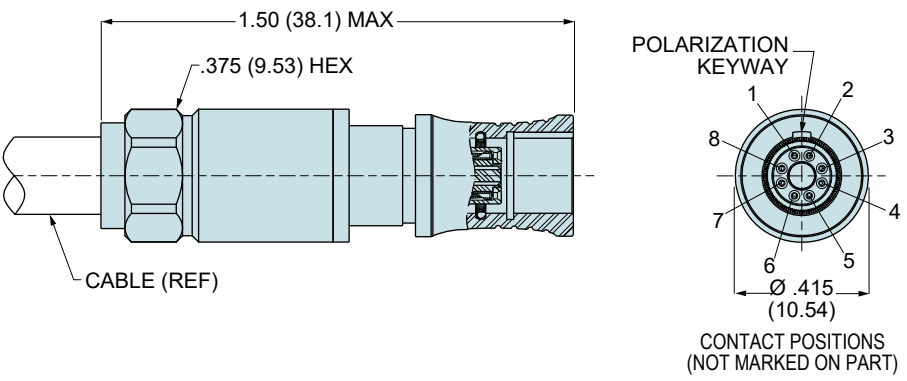
- SIZE AND WEIGHT SAVING**
- Smallest 40GbE aerospace-grade connector
  - Integral strain relief and cable seal
  - High density contacts
- HARSH ENVIRONMENT**
- EMI protection
  - Shock and vibration
  - Corrosion resistance

How To Order Cable Receptacle			
<b>Sample Part Number</b>	<b>882-010</b>	<b>-M</b>	<b>-01</b>
<b>Series</b>	882-010 = Cable Receptacle		
<b>Shell Material and Finish</b>	M = Aluminum / Electroless Nickel MT = Aluminum / Nickel-PTFE ZR = Aluminum / Black Zinc-Nickel Z2 = Aluminum / Aluminum Gold Z1 = Stainless Steel / Nickel-PTFE		
<b>Cable Dash No. (See Table I)</b>	-01 (A188003) and -02 (A188004)		



**Table I: Cable Accommodated**

USB 3.0 Cable			
Dash No.	Cable Part No.	Cable Type	Temp. Rating
-01	963-110	Aerospace-Grade Fluoropolymer Jacket	-65° to +200° C
-02	963-118	Commercial-Grade PVC Jacket	0° to +80° C



- Specifications**
- **Operating temp.:** -65° to +175°C (0 To +80°C for commercial-grade cable)
  - **Impedance:** 90 ohms
  - **DWV:** 500 Vrms unmatred
  - **Current Rating:** 1.5 A
  - **IR:** 1000 MΩ min.
  - **Durability:** 2000 mating cycles
  - **Ingress protection:** IP67

- Construction**
- **Shell, backshell:** aluminum alloy or stainless steel
  - **Insulators:** low dielectric thermoplastic
  - **Contacts:** copper alloy, 50 microinches gold over nickel plating
  - **Grommet:** fluorosilicone
  - **O-rings:** fluorosilicone
  - **EMI spring:** stainless steel, gold plated
  - **Shield sleeve, ferrule:** copper alloy, electroless nickel plated

**Contact Crimp Tools**

<p>Hand Crimp Tool</p> <p><b>809-015</b> (M22520/2-01)</p>	<p>Positioner for Hand Crimp Tool</p> <p><b>859-101</b> (K1906)</p>
--	---