



882-015 90° PC Tail Panel Receptacle, Threaded Coupling, USB 3.0



SuperSpeed USB. Ultraminiature. Rear panel mount. PCB terminals.

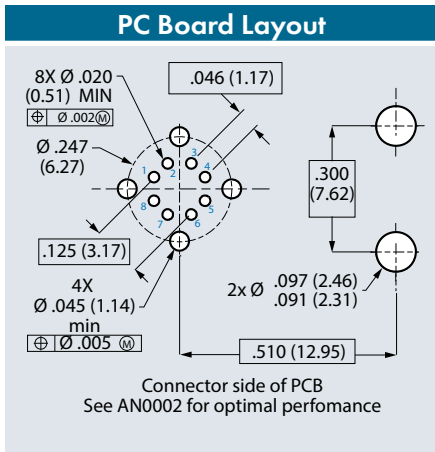
882-015 SuperFly Datalink connectors have one, El Ochito® octaxial contact housing eight socket contacts. Attach to .100 (2.54) maximum thickness panel with spanner nut. PC tail contacts are gold plated or solder dipped in 63/37 tin-lead. Contacts are epoxy-sealed and are non-removable. EMI spring for low shell-to-shell resistance. Fluorosilicone O-rings for water-tight seal. *Mates to 882-011 plug.*

SUPERSPEED USB

- 5 Gbps
- Low-dielectric insulators

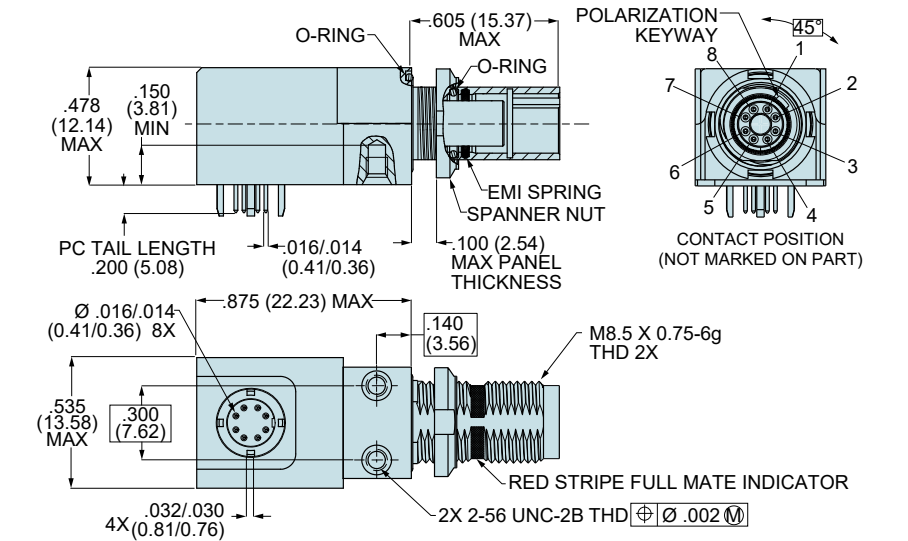
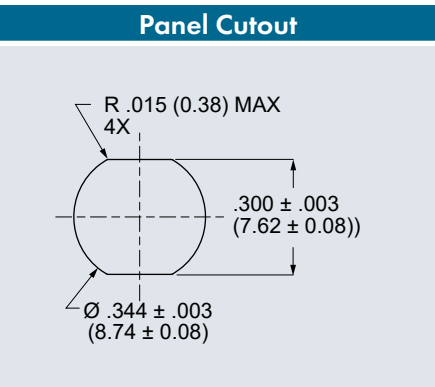
HARSH ENVIRONMENT

- EMI protection
- Water ingress
- Shock and vibration



How To Order Push-Pull, Right Angle Receptacles

| Sample Part Number | 882-015 | -M | G | -.125 |
|-----------------------|--|----|---|-------|
| Product | 882-015 = Right Angle, Panel Mount PC Tail Receptacle | | | |
| Shell Finish | M = Electroless Nickel (aluminum shell) MT = Nickel-PTFE (aluminum shell) ZR = Black Zinc-Nickel (aluminum shell) Z2 = Gold (aluminum shell) ZMT = Nickel-PTFE (stainless steel shell) | | | |
| PC Tail Finish | S = Solder dip, 63/37 tin-lead G = Gold | | | |
| PC Tail Length | .200 = .200 in. (5.08 mm.) | | | |



- Specifications**
- **Operating temp.:** -65° to +175°C
 - **Impedance:** 90 ohms
 - **DWV:** 100 Vrms unmatd
 - **Current Rating:** 1.5 A
 - **IR:** 100 MΩ min. @ 150 Vdc
 - **Durability:** 2000 mating cycles
 - **Ingress protection:** IP67

- Construction**
- **Shell, jam-nut:** aluminum alloy or SST
 - **Insulators and tray:** high-grade rigid dielectric
 - **Contacts:** copper alloy, 50 microinches gold over nickel plating
 - **O-rings:** fluorosilicone
 - **EMI spring:** stainless steel, gold plated
 - **Potting:** epoxy

Spanner Nut Tightening Tool

Nickel-plated tool steel, 1/4" sq. drive
13 - 18 in.-lbs. recommended torque

600-202-E

El Ochito® Blue