

882-042 Panel Mount Receptacle, Threaded Coupling, USB 3.0



SuperSpeed USB. Ultraminiature. High performance. 882-042 SuperFly Datalink connectors have one, El Ochito® octaxial contact housing eight socket contacts. Compatible with aerospace-grade 90 ohm SuperSpeed USB cable. Supplied as unassembled kit. Terminate wires to contacts with crimp tool (purchased separately). M8.5 metric mating thread. Gold-plated EMI spring for low shell-to-shell resistance. Fluorosilicone O-rings for water-tight seal. Braided cable shield terminates to connector with supplied bushing. **Mates to 882-011 plug.**

How To Order Panel Mount Receptacle			
Sample Part Number	882-042	-M	-01
Series	882-042 = Panel Mount Receptacle		
Shell Material and Finish	M = Aluminum / Electroless Nickel MT = Aluminum / Nickel-PTFE ZR = Aluminum / Black Zinc-Nickel Z2 = Aluminum / Aluminum Gold Z1 = Stainless Steel / Nickel-PTFE		
Cable Dash No. (See Table I)	-01 (See A188003-01) or -02 (See A188003-02)		

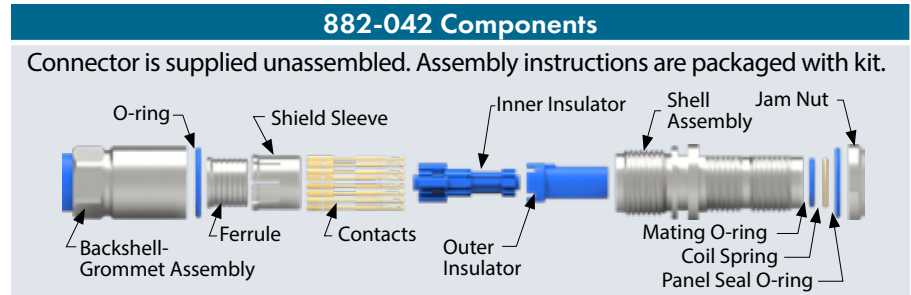
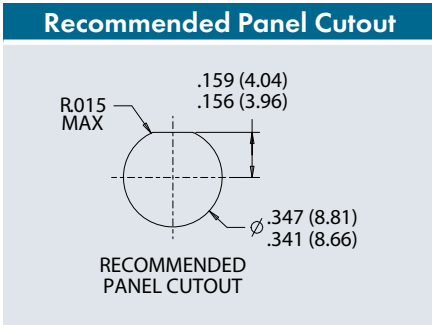
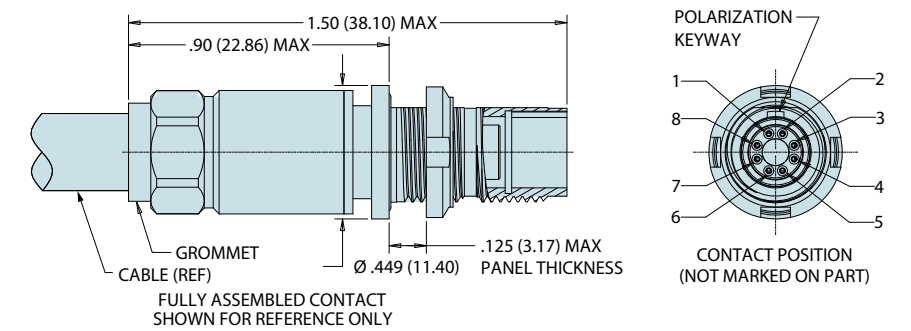


Table I: Cable Accommodated

USB 3.0 Cable			
Dash No.	Cable Part No.	Cable Type	Temp. Rating
-01	963-110	Aerospace-Grade Fluoropolymer Jacket	-65° to +200° C
-02	963-118	Commercial-Grade PVC Jacket	0° to +80° C



Specifications

- Operating temp.: -65° to +175°C (0 To +80°C for commercial-grade cable)
- Impedance: 90 ohms
- DWV: 500 Vrms unmated
- Current Rating: 1.5 A
- IR: 1000 MΩ min.
- Durability: 2000 mating cycles
- Ingress protection: IP67

Construction

- Shell, backshell: aluminum alloy or SST
- Insulators: low dielectric constant thermoplastic
- Contacts: copper alloy, 50 microinches gold over nickel plating
- Grommet: fluorosilicone
- O-rings: fluorosilicone
- EMI spring: stainless steel, gold plated
- Shield sleeve, ferrule: copper alloy, electroless nickel plated

Contact Crimp Tools

<p>Hand Crimp Tool</p> <p>809-015 (M22520/2-01)</p>	<p>Positioner for Hand Crimp Tool</p> <p>859-101 (K1906)</p>
--	---