

8571-0009 QDC Patch Cord, SuperFly to RJ45, 10GbE, Ground



Commercial grade cable. Shielded. Cat 6A. LSZH jacket. Save assembly time and cost with pre-wired patch cords. One end is Series 882 SuperFly Datalink push-pull QDC connector. Other end is shielded RJ45 plug with snagless strain relief boot. Commercial grade 26 AWG stranded cable is RoHS, lead-free, halogen-free, PVC free. Data pairs have individual foil shields, overall shield is tinned copper braid.

SIZE AND WEIGHT SAVING

- <1/2 inch (12.7 mm.) diameter
- Push-pull quick-disconnect

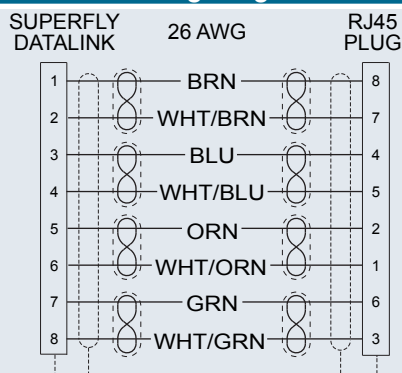
LOWER INSTALLED COST

- Factory-terminated
- 100% tested

COMMERCIAL GRADE

- LSZH cable jacket

Wiring Diagram



Specifications

- Operating temp.: -10 to +60°C
- Impedance: 100 ohms
- DWV: 500 Vrms untested
- Current Rating: 1.5 A
- IR: 200 MΩ min.

Cable Construction

- 4 pair, Cat 6A, 100 ohm
- Conductors: 26 AWG 7/32 tinned copper
- Shield: Al/polyester foil, TC braid
- Jacket: low smoke zero halogen, black

SuperFly Datalink Construction

- Shell, backshell: aluminum alloy or SST
- Insulators: high-grade rigid dielectric
- Contacts: copper alloy, 50 microinches gold over nickel plating
- Grommet, O-ring : fluorosilicone
- Bushing, retainer, spline: copper alloy, electroless nickel plated

RJ45 Construction

- Housing: polycarbonate, UL94V-0
- Contacts: copper alloy, 50 microinches gold in contact area
- Boot : thermoplastic, UL94V-0
- EMI shield: 360°

How To Order

Sample Part Number	8571-0009	-MT	-02	-36
Product	8571-0009 = SuperFly Datalink patch cord assembly, QDC Plug or Receptacle to RJ45			
Shell Finish	M = Electroless Nickel (aluminum shell) MT = Nickel-PTFE (aluminum shell) ZR = Black Zinc-Nickel (aluminum shell) Z2 = Gold (aluminum shell) ZMT = Nickel-PTFE (stainless steel shell)			
SuperFly Datalink Connector Type	01 = Plug 882-001 02 = Receptacle 882-002			
Overall Length	Length in Inches (12 inch minimum)			

