

8571-0015 Threaded Coupling Patch Cord, SuperFly to RJ45, Ground



Commercial grade cable. Shielded. Cat 6A. LSZH jacket. RJ45 plug. Save assembly time and cost with pre-wired patch cords. One end is Series 882 SuperFly Datalink threaded coupling Octaxial connector. Other end is shielded RJ45 plug with snagless strain relief boot. Commercial grade 26 AWG stranded cable is RoHS, lead-free, halogen-free, PVC free. Data pairs have individual foil shields, overall shield is tinned copper braid.

SIZE AND WEIGHT SAVING

- Ultra small .415" (10.5 mm.) diameter coupling nut
- Integral backshell and cable seal

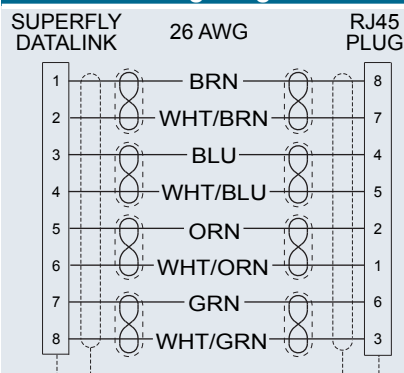
LOWER INSTALLED COST

- Factory-terminated
- 100% tested

COMMERCIAL GRADE

- Low smoke zero halogen jacket

Wiring Diagram



Specifications

- Operating temp.: -10 to +60°C
- Impedance: 100 ohms
- DWV: 500 Vrms unrated
- Current Rating: 1.5 A
- IR: 200 MΩ min.

Cable Construction

- 4 pair, Cat 6A, 100 ohm
- Conductors: 26 AWG 7/32 tinned copper
- Shield: Al/polyester foil, TC braid
- Jacket: low smoke zero halogen, black

SuperFly Datalink Construction

- Shell, backshell, coupling nut: aluminum alloy or SST
- Insulators: high-grade rigid dielectric
- Contacts: copper alloy, 50 microinches gold over nickel plating
- Grommet, O-ring : fluorosilicone
- Bushing, retainer, spline: copper alloy, electroless nickel plated

RJ45 Construction

- Housing: polycarbonate, UL94V-0
- Contacts: copper alloy, 50 microinches gold in contact area
- Boot : thermoplastic, UL94V-0
- EMI shield: 360°

How To Order

Sample Part Number	8571-0015	-Z2	-01	-48
Product	8571-0015 = SuperFly Datalink patch cord assembly, Threaded Plug or Receptacle to RJ45			
Shell Finish	M = Electroless Nickel (aluminum shell) MT = Nickel-PTFE (aluminum shell) ZR = Black Zinc-Nickel (aluminum shell) Z2 = Gold (aluminum shell) ZMT = Nickel-PTFE (stainless steel shell)			
SuperFly Datalink Connector Type	01 = Plug 882-003 02 = Receptacle 882-006			
Overall Length	Length in Inches (12 inch minimum)			

