

# 8571-0016 Threaded Coupling Patch Cord, SuperFly to RJ45, Flight



**Flight-grade cable. Shielded. Category 6A. RJ45 modular plug.** Save assembly time and cost with pre-wired patch cords. One end is Series 882 SuperFly Datalink threaded coupling Octaxial connector. Other end is shielded RJ45 modular plug. Flight grade cable meets AS6070/6. Fluoropolymer cable jacket, 26 AWG conductors. Data pairs have individual foil shields, overall shield is silver-plated copper braid.

### SIZE AND WEIGHT SAVING

- Ultra small .415" (10.5 mm.) diameter coupling nut
- Integral backshell and cable seal

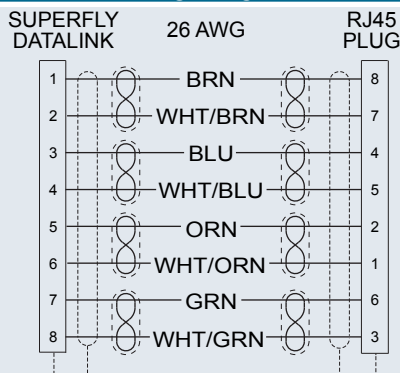
### LOWER INSTALLED COST

- Factory-terminated
- 100% tested

### FLIGHT GRADE CABLE

- AS6070/6 qualified cable

### Wiring Diagram



### Specifications

- Operating temp.: -40° to +85°C
- Impedance: 100 ohms
- DWV: 150 Vrms untested
- Current Rating: 1.5 A
- IR: 200 MΩ min.

### Cable Construction

- 4 pair, Cat 6, 100 ohm, S/FTP, IAW SAE AS6070/6 P/N 963-033-26
- Conductors: 26 AWG, stranded, silver-plated
- Shield: Al/polyamide foil, silver plated braid
- Jacket: fluoropolymer, white

### SuperFly Datalink Construction

- Shell, backshell: aluminum alloy or SST
- Insulators: high-grade rigid dielectric
- Contacts: copper alloy, 50 microinches gold over nickel plating
- Grommet, O-ring : fluorosilicone
- Bushing, retainer, spline: copper alloy, electroless nickel plated

### RJ45 Construction

- Contact housing: polycarbonate, UL94V-0
- Contacts: copper alloy, 50 microinches gold in contact area
- Connector housing : nickel-plated zinc alloy

### How To Order

Sample Part Number	8571-0016	-M	-01	-24
<b>Product</b>	8571-0016 = SuperFly Datalink patch cord assembly, threaded coupling plug or receptacle to RJ45			
<b>Shell Finish</b>	<b>M</b> = Electroless Nickel (aluminum shell) <b>MT</b> = Nickel-PTFE (aluminum shell) <b>ZR</b> = Black Zinc-Nickel (aluminum shell) <b>Z2</b> = Gold (aluminum shell) <b>ZMT</b> = Nickel-PTFE (stainless steel shell)			
<b>SuperFly Datalink Connector Type</b>	<b>01</b> = Plug 882-003 <b>02</b> = Receptacle 882-006			
<b>Overall Length</b>	Length in Inches (12 inch minimum)			

