

8572-0010 Threaded Coupling Cordset, Single-Ended, USB 3.0



Lower installed cost. 100% tested.
 Save assembly time and cost with pre-wired SuperFly Datalink "Blue" Octaxial assemblies for SuperSpeed USB. These single-ended cordsets are terminated to USB cable. Two cable types are available: high temperature fluoropolymer aerospace grade cable or commercial grade PVC cable. Series 882 connectors are designed for demanding aerospace environments.

SIZE AND WEIGHT SAVING

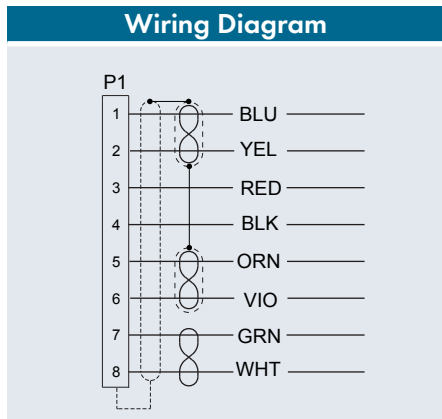
- Integral backshell and cable seal
- Secure threaded coupling nut

LOWER INSTALLED COST

- Factory-terminated
- 100% tested

HARSH ENVIRONMENT

- Vibration, EMI, moisture, and temperature



- ### Construction
- **Shell, coupling nut, backshell:** aluminum alloy or stainless steel
 - **Insulators:** high-grade rigid dielectric
 - **Contacts:** copper alloy, 50 microinches gold over nickel plating
 - **Grommets:** fluorosilicone
 - **O-rings:** fluorosilicone
 - **Bushing, retainer:** copper alloy, electroless nickel plated
 - **Spline:** polyimide
 - **Cable:** aerospace-grade or commercial grade SuperSpeed USB. See cable data sheets for full specifications.

- ### Specifications
- **Operating temp.:**
 -65° to +200°C, aerospace-grade
 0 to +80°C, commercial-grade
 - **Impedance:** 90 ohms
 - **DWV:** 100 Vrms
 - **Current Rating:** 1.5 A
 - **IR:** 100 MΩ min.

How To Order

Sample Part Number	8572-0010	- M	-01	-36
Product	8572-0010 = Pre-wired SuperFly Datalink assembly, Threaded, Single-Ended, USB 3.0			
Shell Finish	M = Electroless Nickel (aluminum shell) MT = Nickel-PTFE (aluminum shell) ZR = Black Zinc-Nickel (aluminum shell) ZZ = Gold (aluminum shell) ZMT = Nickel-PTFE (stainless steel shell)			
Order Code Connector Type and Cable Type	01 = Plug connector, aerospace-grade cable* 02 = Plug connector, commercial-grade cable** 03 = Receptacle connector, aerospace-grade cable* 04 = Receptacle connector, commercial-grade cable** *Cable P/N 963-110 high temp fluoropolymer jacket **Cable P/N 963-118 black PVC jacket			
Overall Length	Length in Inches (12 inch minimum)			

