

882-001 Cable Plug, Push-Pull QDC Coupling, 10GbE



10GbE. Ultraminiature. High performance. 882-001 SuperFly Datalink Octaxial connectors are compatible with #24 and #26 AWG Category 6A Ethernet cable. Supplied as unassembled kit. Terminate wires to contacts with crimp tool (purchased separately). 882-001 plugs feature push-pull mating and unmating. Braided cable shield terminates to connector with supplied bushing. **Mates to 882-002, 882-005 and 882-008 receptacles.**

SIZE AND WEIGHT SAVING

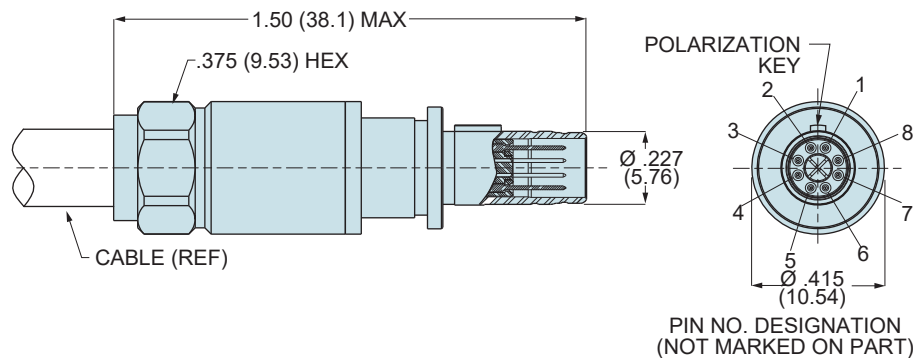
- Smallest 10GbE aerospace-grade connector
- Integral strain relief and cable seal
- High density contacts

FAST ASSEMBLY

- Crimp contacts
- Easy shield termination

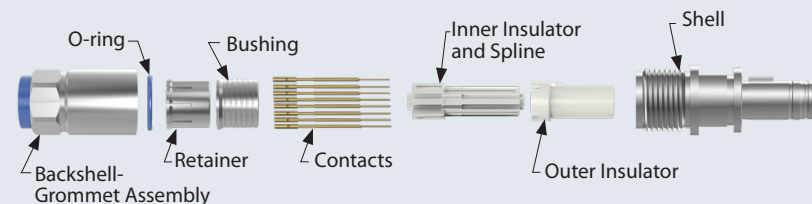
HARSH ENVIRONMENT

- EMI protection
- Water ingress
- Shock and vibration
- Temperature extremes
- Corrosion resistance



882-001 Components

Connector is supplied unassembled. Assembly instructions are packaged with kit.



How To Order 882-001 SuperFly Datalink Plugs

Wire Size (AWG)	Cat 6A Cable Type	Cable Part No.	Cable Dia.	Shell Material and Finish				
				Aluminum/ Electroless Nickel	Aluminum/ Nickel-PTFE	Aluminum/Black Zinc-Nickel	Aluminum/ Gold	Stainless Steel/ Nickel-PTFE
26	S/UTP	963-003-26	.220 (5.56)	882-001-M-01	882-001-MT-01	882-001-ZR-01	882-001-Z2-01	882-001-ZMT-01
26	S/FTP	963-033-26	.220 (5.56)	882-001-M-02	882-001-MT-02	882-001-ZR-02	882-001-Z2-02	882-001-ZMT-02
24	S/UTP	963-037-24	.260 (6.60)	882-001-M-03	882-001-MT-03	882-001-ZR-03	882-001-Z2-03	882-001-ZMT-03
24	S/FTP	963-033-24	.260 (6.60)	882-001-M-04	882-001-MT-04	882-001-ZR-04	882-001-Z2-04	882-001-ZMT-04

Specifications

- Operating temp.: -65° to +175°C
- Impedance: 100 ohms
- DWV: 500 Vrms unmated
- Current Rating: 1.5 A
- IR: 1000 M Ω min.
- Durability: 500 mating cycles
- Ingress protection: IP67

Construction

- Shell, backshell: aluminum alloy or stainless steel
- Insulators: high-grade rigid dielectric
- Contacts: copper alloy, 50 microinches gold over nickel plating
- Grommet: fluorosilicone
- O-ring: fluorosilicone
- Bushing, retainer, spline: copper alloy, electroless nickel plated

Contact Crimp Tools

Crimp Tool



809-015
(M22520/2-01)

Positioner for Hand Crimp Tool



859-101
(K1906)